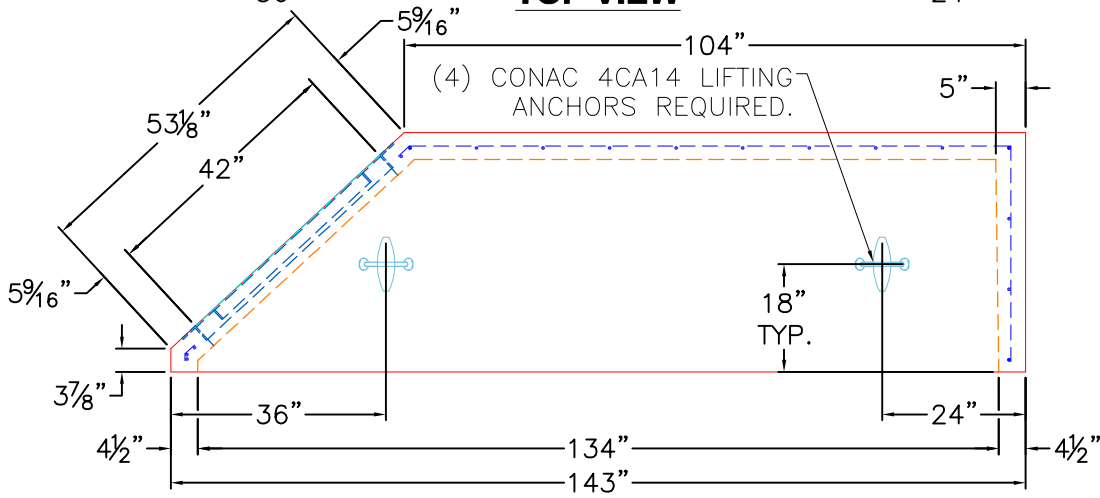
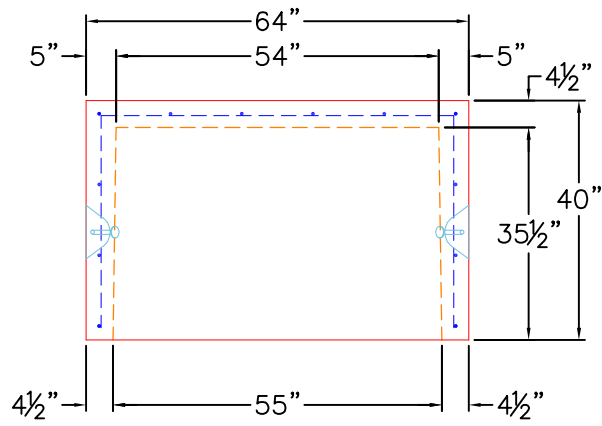


TOP VIEW


- GENERAL NOTES:**
1. MANUFACTURED TO ASTM C913(LATEST REVISION).
 2. CONCRETE: 5,000 PSI AT 28 DAYS. CONCRETE.
 3. REINFORCING: PER ASTM A615. (GRADE 60).
WALLS: #4 BAR @ 12" C-C E.W.
FLOOR: #4 BAR @ 12" C-C E.W.
 4. WEIGHT: 9,500 LBS
 5. CS-102 JOINT SEALANT PROVIDED BY ICAST.
 6. 4 "H" BRACKETS (2 PER SIDE) AND BOLTS PROVIDED BY ICAST.
 7. 2 AIR VENTS PROVIDED BY ICAST.
 8. 24" X 42" HATCH TO BE CAST INTO THE MONOTOP.

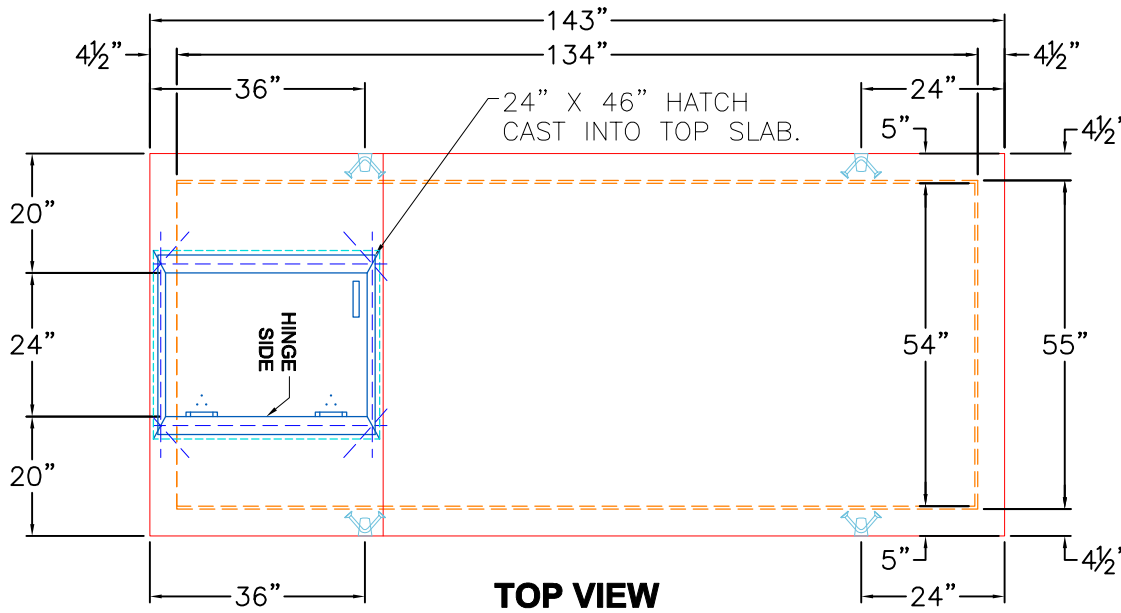


FRONT VIEW



RIGHT VIEW

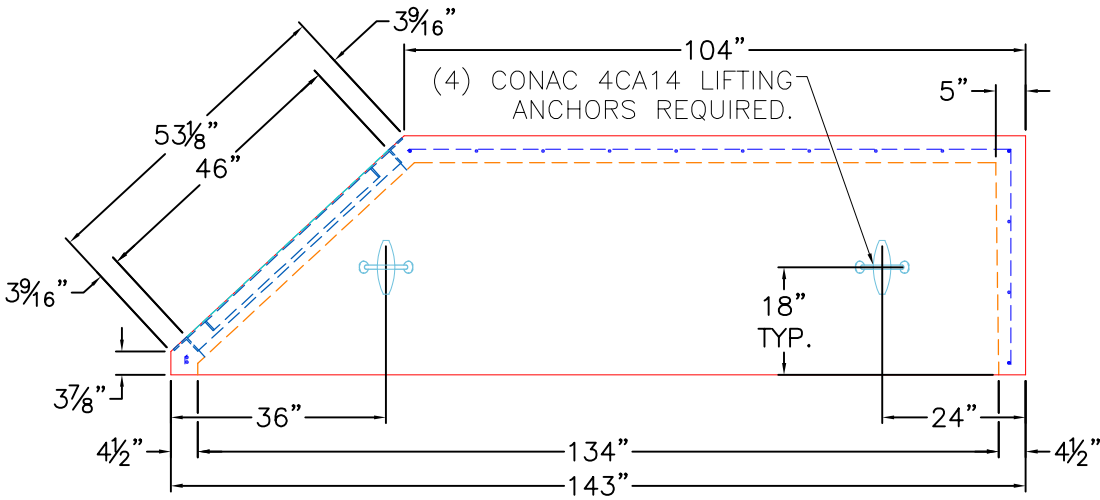
<p>PRODUCTION WORK ORDER</p> 		<p>PRODUCT I.D.: STSHTS-24X42</p>	<p>DESCRIPTION: STORM SHELTER MONOTOP W/ 24" X 42" HATCH</p>
<p>QUALITY CONTROL CHECKLIST</p> <p><input type="checkbox"/> ALL DIMENSIONS CORRECT.</p> <p><input type="checkbox"/> LIFTERS INSTALLED.</p> <p><input type="checkbox"/> OPENING CENTERED.</p> <p><input type="checkbox"/> REINFORCING CORRECT.</p> <p><input type="checkbox"/> SURFACE QUALITY ACCEPTABLE.</p> <p><input type="checkbox"/> EDGES CHAMFERED.</p> <p><input type="checkbox"/> ALL PATCHWORK ACCEPTABLE.</p>		<p>PRODUCT VIEW: RIGHT SIDE UP</p> <p>PLANT: BEAVER DAM, KY.</p> <p>WEIGHT: 9,500 LBS.</p> <p>TOP JOINT: N/A</p> <p>BOTTOM JOINT: N/A</p> <p>QC CHECK INITIALS:</p>	<p>CUSTOMER: STOCK</p> <p>PROJECT: STOCK</p> <p>STRUCTURE: N/A</p> <p>ORDER NO: N/A</p> <p>PE: J.H. ROSS DRAWING: J. COPPAGE</p> <p>DATE: 3/20/25 SCALE: NTS PG. 1 of 1</p>



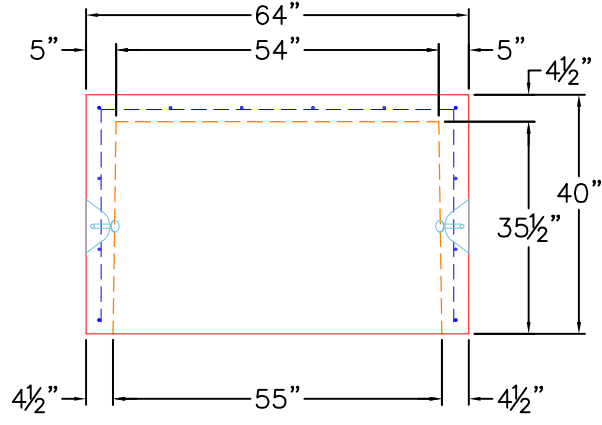
TOP VIEW

GENERAL NOTES:


1. MANUFACTURED TO ASTM C913(LATEST REVISION).
2. CONCRETE: 5,000 PSI AT 28 DAYS. CONCRETE.
3. REINFORCING: PER ASTM A615. (GRADE 60).
WALLS: #4 BAR @ 12" C-C E.W.
FLOOR: #4 BAR @ 12" C-C E.W.
4. WEIGHT: 9,500 LBS
5. CS-102 JOINT SEALANT PROVIDED BY ICAST.
6. 4 "H" BRACKETS (2 PER SIDE) AND BOLTS PROVIDED BY ICAST.
7. 2 AIR VENTS PROVIDED BY ICAST.
8. 24" X 46" HATCH TO BE CAST INTO THE MONOTOP.



FRONT VIEW



RIGHT VIEW

<p>PRODUCTION WORK ORDER</p>		<p>PRODUCT I.D.: STSHTS-24X46</p>	<p>DESCRIPTION: STORM SHELTER MONOTOP W/ 24" X 46" HATCH</p>	
	<p>QUALITY CONTROL CHECKLIST</p> <p><input type="checkbox"/> ALL DIMENSIONS CORRECT.</p> <p><input type="checkbox"/> LIFTERS INSTALLED.</p> <p><input type="checkbox"/> OPENING CENTERED.</p> <p><input type="checkbox"/> REINFORCING CORRECT.</p> <p><input type="checkbox"/> SURFACE QUALITY ACCEPTABLE.</p> <p><input type="checkbox"/> EDGES CHAMFERED.</p> <p><input type="checkbox"/> ALL PATCHWORK ACCEPTABLE.</p>		<p>CUSTOMER: STOCK</p>	
	<p>PRODUCT VIEW: RIGHT SIDE UP</p>		<p>PROJECT: STOCK</p>	
	<p>PLANT: BEAVER DAM, KY.</p>		<p>STRUCTURE: N/A</p>	
	<p>WEIGHT: 9,500 LBS.</p>		<p>ORDER NO: N/A</p>	
	<p>TOP JOINT: N/A</p>		<p>PE: J.H. ROSS</p>	<p>DRAWING: J. COPPAGE</p>
	<p>BOTTOM JOINT: N/A</p>		<p>DATE: 3/20/25</p>	<p>SCALE: NTS</p>
<p>QC CHECK INITIALS:</p>				