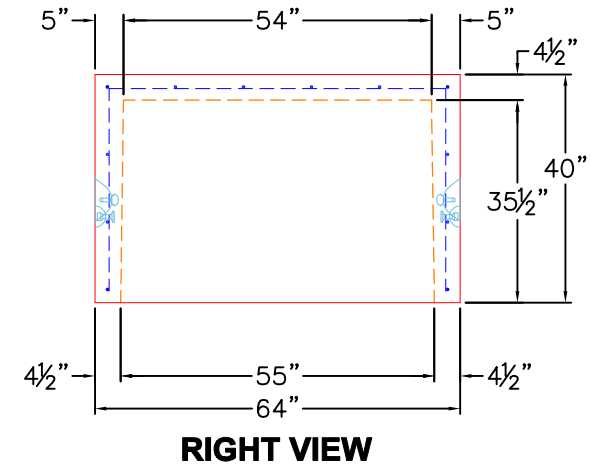
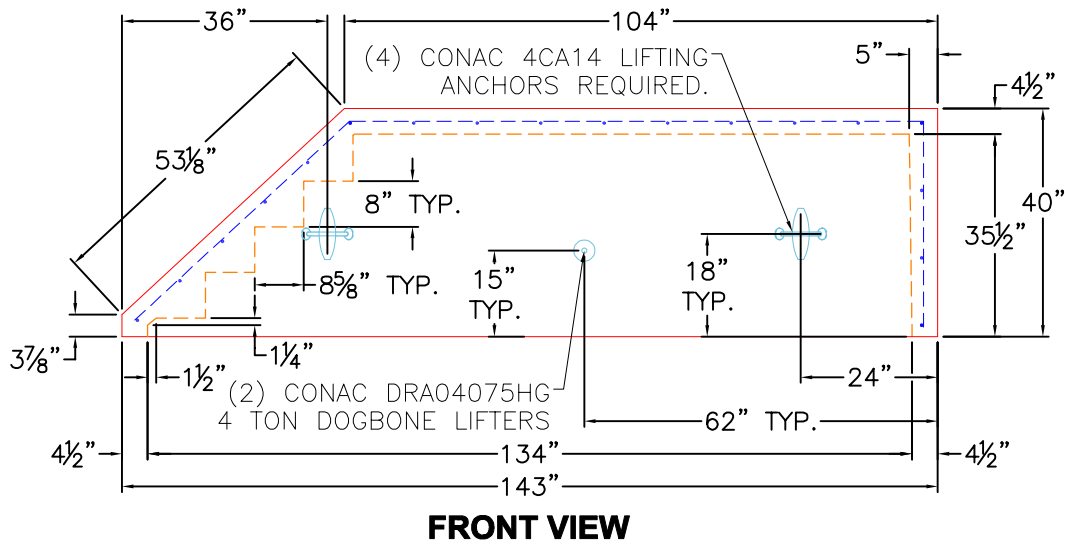



GENERAL NOTES:

1. MANUFACTURED TO ASTM C913(LATEST REVISION).
2. CONCRETE: 5,000 PSI AT 28 DAYS. CONCRETE.
3. REINFORCING: PER ASTM A615. (GRADE 60).
WALLS: #4 BAR @ 12" C-C E.W.
FLOOR: #4 BAR @ 12" C-C E.W.
4. WEIGHT: 9,500 LBS
5. CS-102 JOINT SEALANT PROVIDED BY ICAST.
6. 4 "H" BRACKETS (2 PER SIDE) AND BOLTS PROVIDED BY ICAST.



		QUALITY CONTROL CHECKLIST <input type="checkbox"/> ALL DIMENSIONS CORRECT. <input type="checkbox"/> LIFTERS INSTALLED. <input type="checkbox"/> OPENING CENTERED. <input type="checkbox"/> REINFORCING CORRECT. <input type="checkbox"/> SURFACE QUALITY ACCEPTABLE. <input type="checkbox"/> EDGES CHAMFERED. <input type="checkbox"/> ALL PATCHWORK ACCEPTABLE.	PRODUCT I.D.: STSHBS PRODUCT VIEW: UPSIDE DOWN PLANT: BEAVER DAM, KY. WEIGHT: 9,500 LBS. TOP JOINT: N/A BOTTOM JOINT: N/A QC CHECK INITIALS:	DESCRIPTION: 40" TALL STORM SHELTER BASE CUSTOMER: STOCK PROJECT: STOCK STRUCTURE: N/A ORDER NO: N/A PE: J.H. ROSS DATE: 3/20/25	DRAWING: J. COPPAGE SCALE: NTS PG. 1 of 1
---	--	---	---	---	--