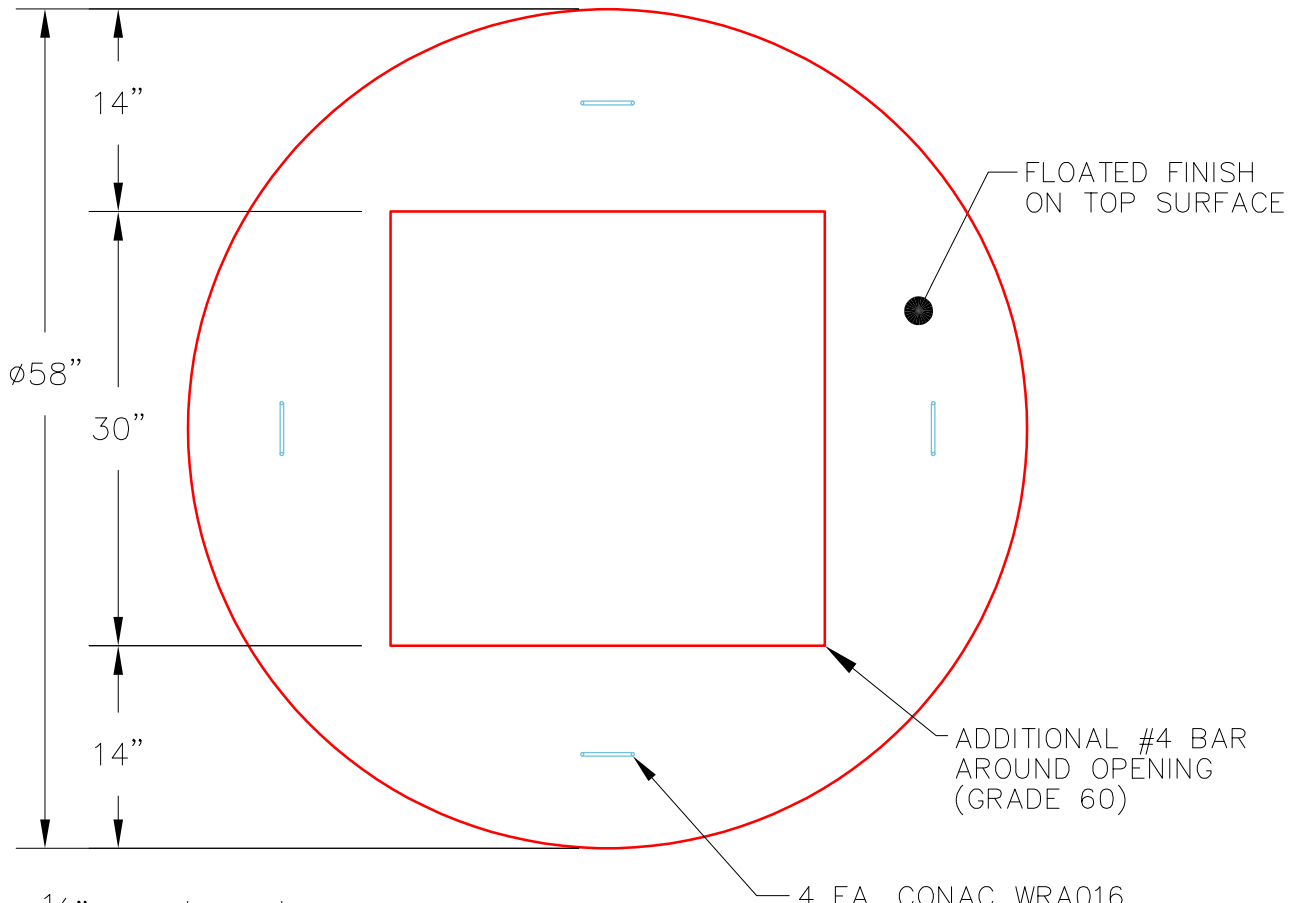
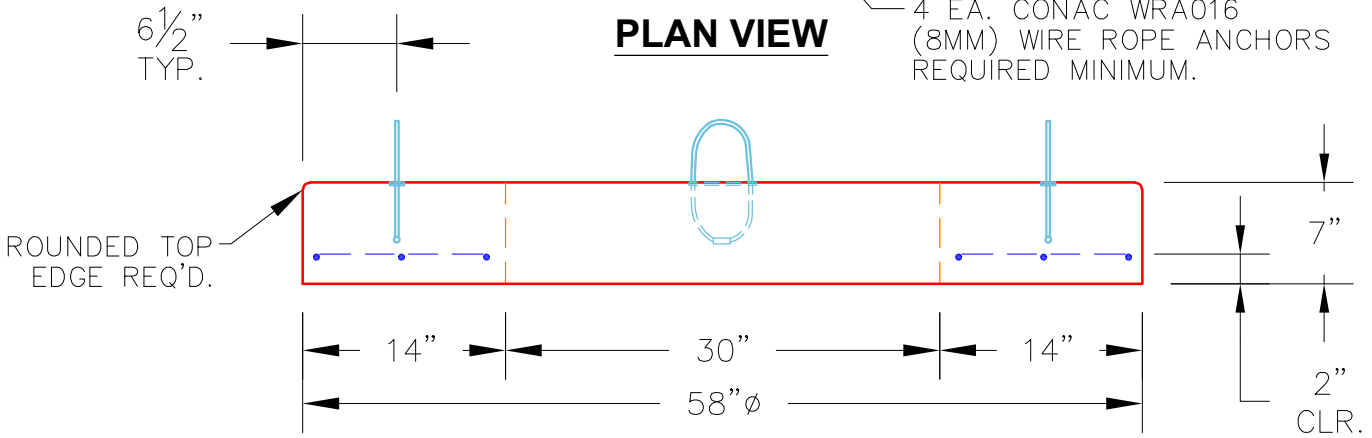


THIS DRAWING IS INTENDED TO BE PRINTED IN COLOR.



PLAN VIEW



FRONT VIEW

NOTES:

1. MANUFACTURED TO ASTM C-478 (LATEST REVISION).
2. CONCRETE: 5,000 PSI AT 28 DAYS.
3. REINFORCING: #4 @ 10" O.C. E.W.(GRADE 60).
4. WEIGHT: 1,025 LBS.

<p>PRODUCTION WORK ORDER</p>		<p>PRODUCT I.D.: MH048LD07-30SQ</p>	<p>DESCRIPTION: 48"Ø X 7" MANHOLE TOP SLAB W/ 30" SQUARE OPENING</p>	
	<p>QUALITY CONTROL CHECKLIST</p>	<p>PRODUCT VIEW: RIGHT SIDE UP</p>	<p>CUSTOMER: STOCK</p>	
	<input type="checkbox"/> ALL DIMENSIONS CORRECT.	<p>PLANT: BEAVER DAM, KY.</p>	<p>PROJECT: STOCK</p>	
	<input type="checkbox"/> LIFTING ANCHORS INSTALLED.	<p>WEIGHT: 1,025 LBS.</p>	<p>STRUCTURE: N/A</p>	
	<input type="checkbox"/> OPENING LOCATION CORRECT.	<p>TOP SECTION JOINT: N/A</p>	<p>QUOTE/SALES ORDER NO: N/A</p>	
	<input type="checkbox"/> REINFORCING CORRECT.	<p>BASE SECTION JOINT: N/A</p>	<p>PE: J. ROSS</p>	<p>DRAWING: J. COPPAGE</p>
	<input type="checkbox"/> FINISH ON SLAB SURFACE UNIFORM.	<p>QC CHECK INITIALS:</p>	<p>DATE: 5/22/24</p>	<p>SCALE: NTS</p>
<input type="checkbox"/> OUTSIDE TOP EDGE TROWELLED.			<p>PG. 1 of 1</p>	
<input type="checkbox"/> JOINT INSTALLED IF NECESSARY.				