



981 W. 7th Street  
 Beaver Dam, KY 42320  
 270-363-2234

infrastructure precast, inc.

Take Off By: 3/19/2019 Nathan

Notes:

Structure: 4'MH Flat Lid 2'x3' No Groove

Job Number:

Job Name: INVENTORY

Job Location:

Specification: Custom

Contractor:

Channel:

Based on:

**Dimension Tolerances**

Length, Width, Height, Wall Thickness:  $\pm 3/4"$

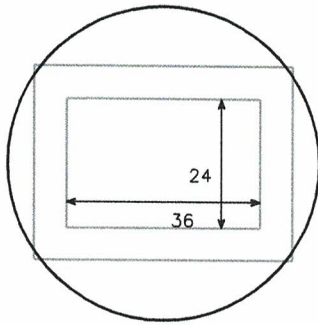
Rebar Spacing:  $\pm 1"$

Concrete Cover over Reinforcing:  $> 1/2"$

Hole Size:  $\pm 1/2"$

**Plan View**

→ A



↳ A

**Opening Schedule**

ID	Hole Ref.	Pipe Size	Hole Size	Connector	Angle

**BOM For Stack**

ID	Description	Qty.	Weight	Shop
A	48" Flat Top No Groove 24"x36" Conc 8T	1	1,158	
<b>Totals (precast, lbs)</b>		1	1,158	

**Elevation (View A-A)**

Part Description: 48" Flat Top No Groove 24"x36" Conc 8T 7.0H

A

