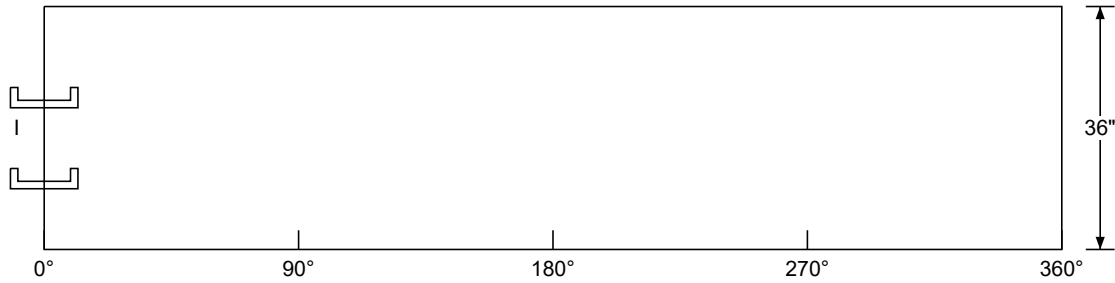
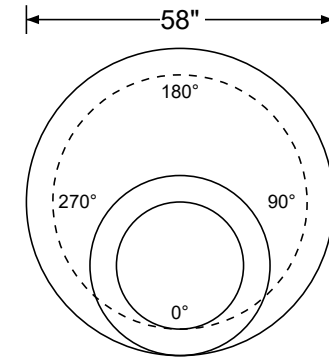


UPSIDE DOWN

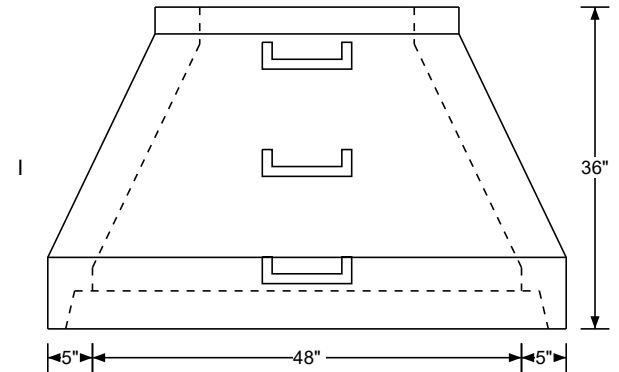


UPSIDE DOWN



NOTES:

RIGHT SIDE UP



PipeNum	Elevation	Angle	Pipe	Connector	Opening Height	Opening Width	UptoBottom
---------	-----------	-------	------	-----------	----------------	---------------	------------



Job Number: STOCK
Job Name: STOCK
Structure: N/A
Description: 48in SANITARY MANHOLE GREY
Sales Rep: JCOPPAGE

Part #: MH048CN36
Desc: Manhole 48in Cone, 36in Height
Weight: 2330 lbs.
Form: 48 Cone 36in

Dimension Tolerances
 Length, Width, Height, Wall Thickness: $\pm 3/4"$
 Rebar Spacing: $\pm 1"$
 Concrete Cover Over Reinforcing: $> 1/2"$
 Hole Size: $\pm 1/2"$