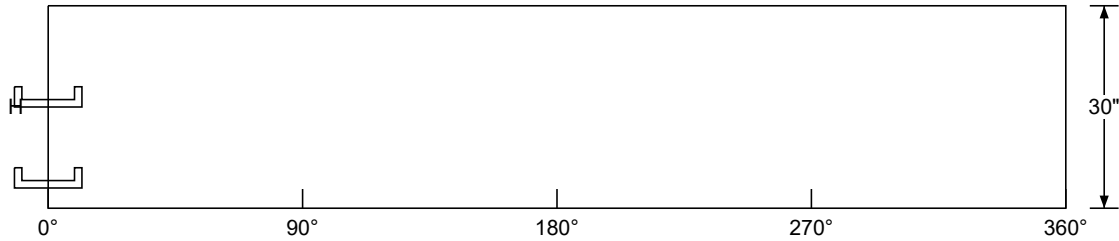
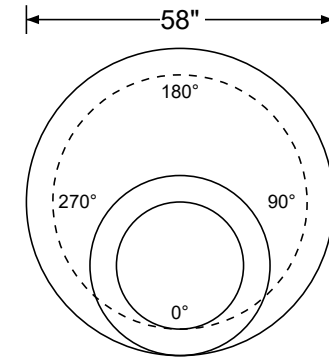


UPSIDE DOWN

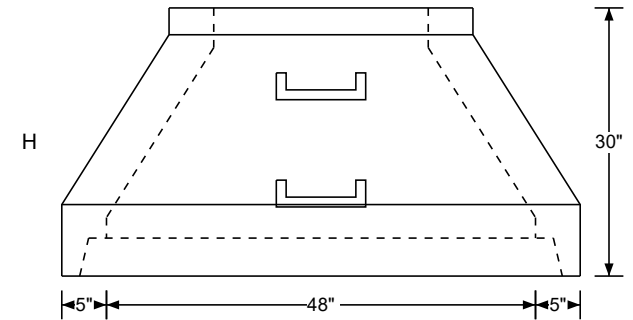


UPSIDE DOWN



NOTES:

RIGHT SIDE UP



| PipeNum | Elevation | Angle | Pipe | Connector | Opening Height | Opening Width | UptoBottom |
|---------|-----------|-------|------|-----------|----------------|---------------|------------|
| | | | | | | | |



Job Number: STOCK
Job Name: STOCK
Structure: N/A
Description: 48in SANITARY MANHOLE GREY
Sales Rep: JCOPPAGE

Part #: MH048CN30
Desc: Manhole 48in Cone, 30in Height
Weight: 2050 lbs.
Form: 48 Cone 30in

Dimension Tolerances
 Length, Width, Height, Wall Thickness: $\pm 3/4"$
 Rebar Spacing: $\pm 1"$
 Concrete Cover Over Reinforcing: $> 1/2"$
 Hole Size: $\pm 1/2"$