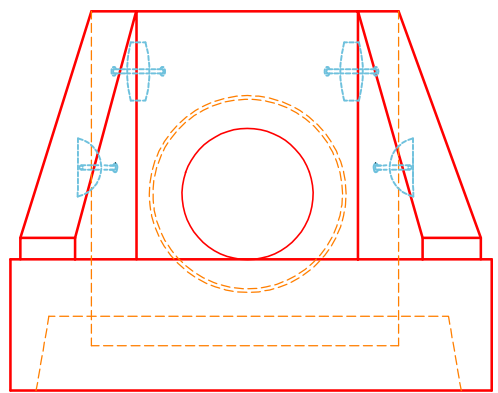


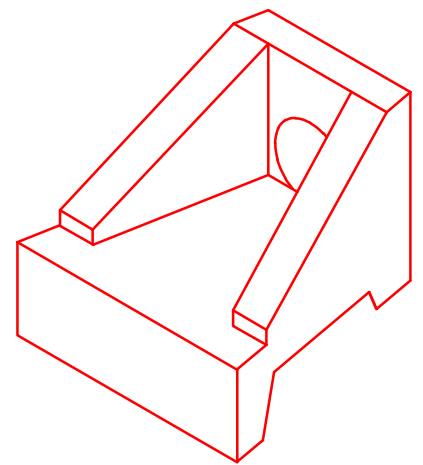
PLAN VIEW



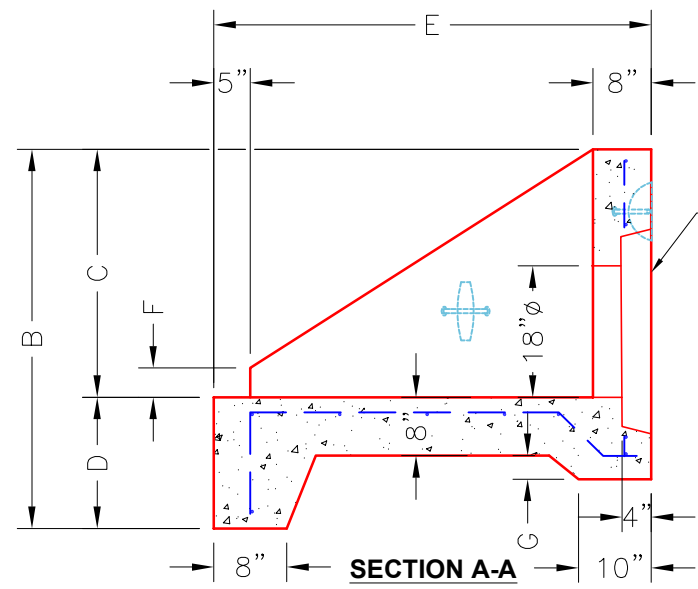
FRONT ELEVATION

DIMENSIONS										
PIPE ϕ	A	B	C	D	E	F	G	H	I	WEIGHT
18"	3'-6"	4'-4"	2'-10"	1'-6"	5'-0"	4"	3 $\frac{1}{4}$ "	2'-2"	6'-0"	5,127 LBS.

"A-ANCHOR" LIFTING SYSTEM FOR PLANT & FIELD HANDLING.



ISOMETRIC VIEW
18" ϕ HEADWALL




SECTION A-A

18" ϕ TO 26" ϕ STEPPED HOLE FORMER FOR 18" ϕ PIPE. 18" ϕ TO BE FLUSH WITH FLOOR.

~NOTES:

1. CONCRETE: 4500 PSI @ 28 DAYS.
2. REINFORCING: #4 BAR @ 12" C/C E.W.-GRADE 60, (WITH 2" CONCRETE COVER MINIMUM)
3. REINFORCING BARS TO BE TACK WELDED OR TIED.
4. DRAWING TO BE USED IN CONJUNCTION WITH KYTC STD. DRAWING RDH-020-03 AND THE STANDARD SPECIFICATIONS FOR ROAD AND BRIDGE CONSTRUCTION.
5. $\frac{3}{8}$ " CHAMFER ON ALL EXPOSED EDGES.

PRODUCTION WORK ORDER		PRODUCT I.D.: HWSF18	DESCRIPTION: KYTC 18" ϕ SLOPED & FLARED HEADWALL		
	QUALITY CONTROL CHECKLIST	PRODUCT VIEW: RIGHT SIDE UP	CUSTOMER: STOCK		
	<input type="checkbox"/> ALL DIMENSIONS CORRECT. <input type="checkbox"/> LIFTERS INSTALLED. <input type="checkbox"/> STEPPED HF CORRECT SIZE. <input type="checkbox"/> REINFORCING CORRECT. <input type="checkbox"/> DISSIPATOR BLOCK INSTALLED. <input type="checkbox"/> EDGES CHAMFERED. <input type="checkbox"/> ALL PATCHWORK ACCEPTABLE.	PLANT: BEAVER DAM, KY.	PROJECT: STOCK INVENTORY		
		WEIGHT: 5,127 LBS.	STRUCTURE ID.: N/A		
		TOP SECTION JOINT: N/A	QUOTE/SALES ORDER NO: N/A		
		BASE SECTION JOINT: N/A	CHECK: J.H. ROSS, PE	DRAWING: N. RICHARDS	
		QC CHECK INITIALS:	DATE: 09/09/22	SCALE: NTS	PG. 1 of 1