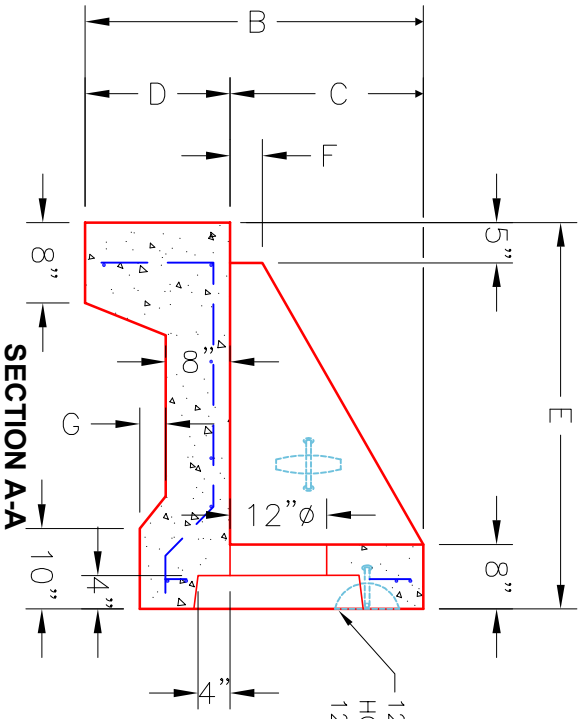
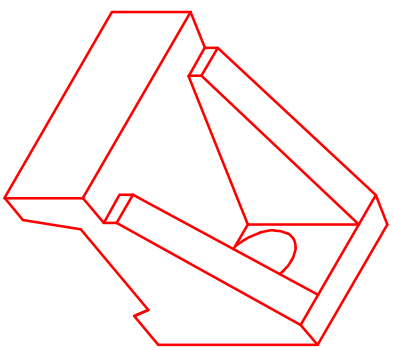
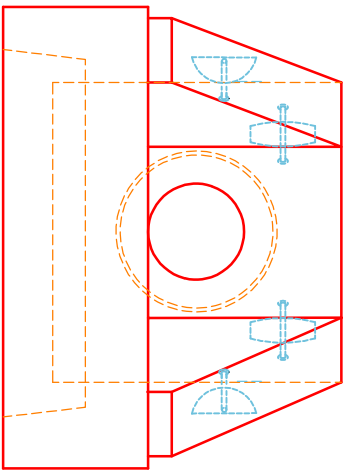
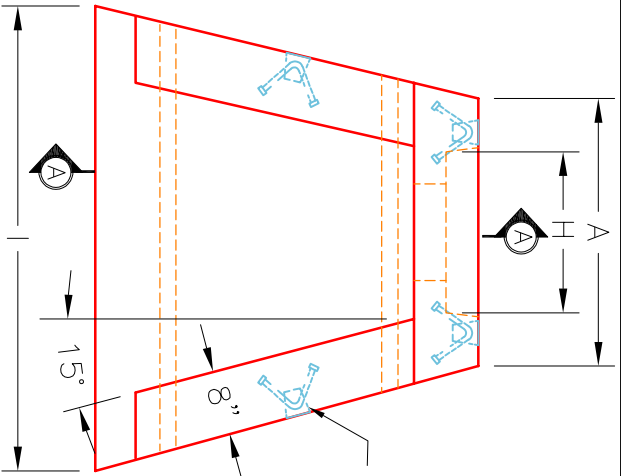


DIMENSIONS										WEIGHT
PIPE ϕ	A	B	C	D	E	F	G	H	I	
12"	2'-9"	3'-6"	2'-0"	1'-6"	4'-0"	3"	2 $\frac{3}{8}$ "	1'-8"	4'-9"	3,161 LBS.



- NOTES:**
1. CONCRETE: 4500 PSI @ 28 DAYS.
 2. REINFORCING: #4 BAR @ 12" C/C E.W. - GRADE 60, (WITH 2" CONCRETE COVER MINIMUM)
 3. REINFORCING BARS TO BE TACK WELDED OR TIED.
 4. DRAWING TO BE USED IN CONJUNCTION WITH KYTC STD. DRAWING RDH-020-03 AND THE STANDARD SPECIFICATIONS FOR ROAD AND BRIDGE CONSTRUCTION.
 5. $\frac{3}{4}$ " CHAMFER ON ALL EXPOSED EDGES.

PRODUCTION WORK ORDER

QUALITY CONTROL CHECKLIST	PRODUCT I.D.: HWSF12	DESCRIPTION: KYTC 12" ϕ SLOPED & FLARED HEADWALL
<input type="checkbox"/> ALL DIMENSIONS CORRECT. <input type="checkbox"/> LIFTERS INSTALLED. <input type="checkbox"/> STEPPED HF CORRECT SIZE. <input type="checkbox"/> REINFORCING CORRECT. <input type="checkbox"/> DISSIPATOR BLOCK INSTALLED. <input type="checkbox"/> EDGES CHAMFERED. <input type="checkbox"/> ALL PATCHWORK ACCEPTABLE.	PRODUCT VIEW: RIGHT SIDE UP PLANT: BEAVER DAM, KY. WEIGHT: 3,161 LBS. TOP SECTION JOINT: N/A BASE SECTION JOINT: N/A QC CHECK INITIALS:	CUSTOMER: STOCK PROJECT: STOCK INVENTORY STRUCTURE ID.: N/A QUOTE/SALES ORDER NO.: N/A CHECK: J.H. ROSS, PE DATE: 09/15/22
		DRAWING: N. RICHARDS SCALE: NTS PG. 1 of 1

