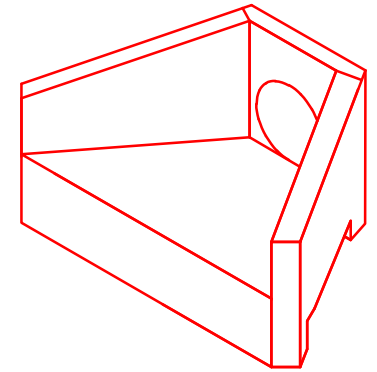


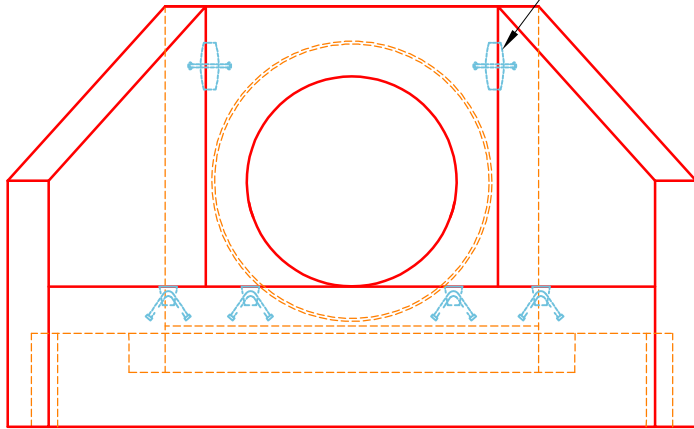
**PLAN VIEW**

DIMENSIONS									
PIPE Ø	A	B	C	D	E	F	G	H	WEIGHT
36"	4'-6"	6'-0"	4'-0"	1'-6"	5'-0"	4'-0"	8'-8"	3'-8"	8,236 lbs.

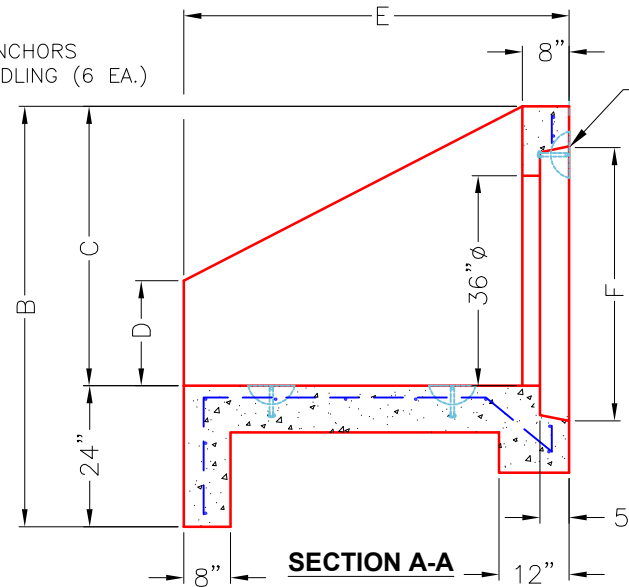


**ISOMETRIC VIEW**

36"Ø HEADWALL



**FRONT ELEVATION**



**SECTION A-A**

36"Ø TO 48"Ø STEPPED HOLE FORMER FOR 36"Ø PIPES. 36"Ø TO BE FLUSH WITH FLOOR.

**~NOTES:**

1. CONCRETE: 4500 PSI @ 28 DAYS.
2. REINFORCING: #5 BAR @ 12" C/C E.W.-GRADE 60, (WITH 2" CONCRETE COVER MINIMUM)
3. REINFORCING BARS TO BE TACK WELDED OR TIED.
4. DRAWING TO BE USED IN CONJUNCTION WITH KYTC STD. DRAWING RDH-110-02, RDH-210-03 AND THE STANDARD SPECIFICATIONS FOR ROAD AND BRIDGE CONSTRUCTION.
5. 3/8" CHAMFER ON ALL EXPOSED EDGES.

**PRODUCTION WORK ORDER**

PRODUCT I.D.: HWPC36

DESCRIPTION: KYTC 36"Ø PIPE CULVERT HEADWALL

**QUALITY CONTROL CHECKLIST**

- ALL DIMENSIONS CORRECT.
- LIFTERS INSTALLED.
- STEPPED HF CORRECT SIZE.
- REINFORCING CORRECT.
- SURFACE QUALITY ACCEPTABLE.
- EDGES CHAMFERED.
- ALL PATCHWORK ACCEPTABLE.

PRODUCT VIEW: RIGHT SIDE UP

CUSTOMER: STOCK

PLANT: BEAVER DAM, KY.

PROJECT: STOCK INVENTORY

WEIGHT: 8,236 LBS.

STRUCTURE ID.: N/A

TOP SECTION JOINT: N/A

SALES ORDER NO.: N/A

BASE SECTION JOINT: N/A

CHECK: J.H. ROSS, PE

DRAWING: N. RICHARDS

QC CHECK INITIALS:

DATE: 05/04/24

SCALE: NTS

PG. 1 of 1

