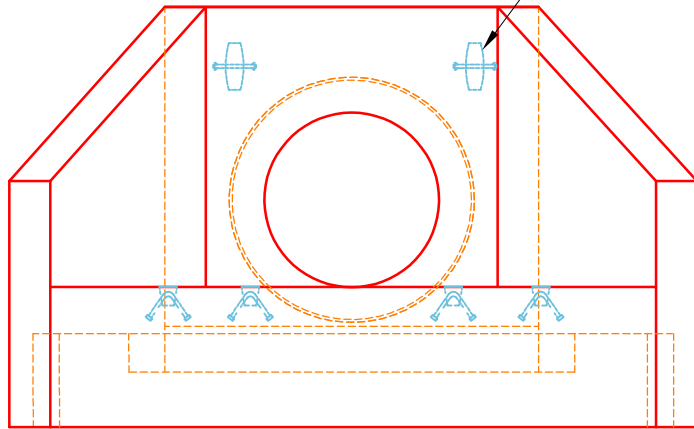


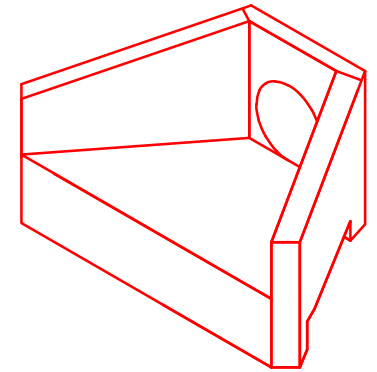
**PLAN VIEW**



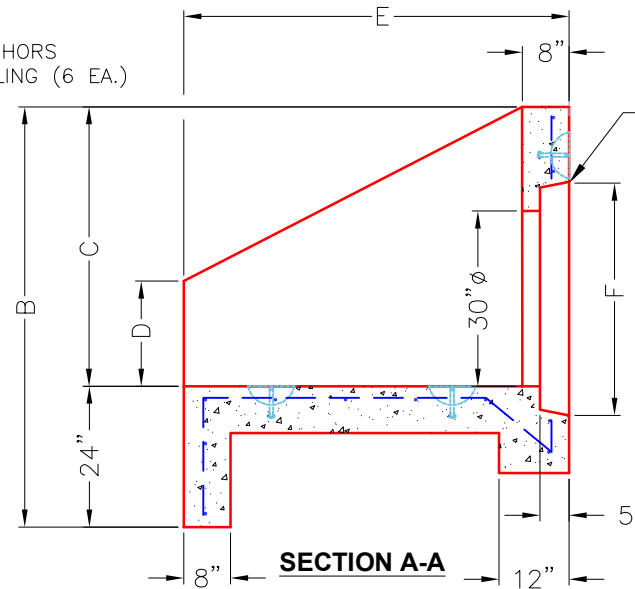
**FRONT ELEVATION**

CONAC 6CA18 A-ANCHORS  
REQUIRED FOR HANDLING (6 EA.)

DIMENSIONS									
PIPE $\phi$	A	B	C	D	E	F	G	H	WEIGHT
30"	4'-6"	6'-0"	4'-0"	1'-6"	5'-0"	3'-6"	8'-8"	3'-8"	8,526 lbs.



**ISOMETRIC VIEW**  
30"  $\phi$  HEADWALL



**SECTION A-A**

30"  $\phi$  TO 42"  $\phi$  STEPPED  
HOLE FORMER FOR 30"  $\phi$  PIPES.  
30"  $\phi$  TO BE FLUSH WITH FLOOR.

**~NOTES:**

1. CONCRETE: 4500 PSI @ 28 DAYS.
2. REINFORCING: #5 BAR @ 12" C/C E.W.-GRADE 60,  
(WITH 2" CONCRETE COVER MINIMUM)
3. REINFORCING BARS TO BE TACK WELDED OR TIED.
4. DRAWING TO BE USED IN CONJUNCTION WITH KYTC STD. DRAWING  
RDH-110-02, RDH-210-03 AND THE STANDARD SPECIFICATIONS FOR ROAD  
AND BRIDGE CONSTRUCTION.
5.  $\frac{3}{4}$ " CHAMFER ON ALL EXPOSED EDGES.

**PRODUCTION WORK ORDER**

PRODUCT I.D.: HWPC30

DESCRIPTION: KYTC 30"  $\phi$  PIPE CULVERT HEADWALL

QUALITY CONTROL CHECKLIST

- ALL DIMENSIONS CORRECT.
- LIFTERS INSTALLED.
- STEPPED HF CORRECT SIZE.
- REINFORCING CORRECT.
- SURFACE QUALITY ACCEPTABLE.
- EDGES CHAMFERED.
- ALL PATCHWORK ACCEPTABLE.

PRODUCT VIEW: RIGHT SIDE UP

CUSTOMER: STOCK

PLANT: BEAVER DAM, KY.

PROJECT: STOCK INVENTORY

WEIGHT: 8,526 LBS.

STRUCTURE ID.: N/A

TOP SECTION JOINT: N/A

SALES ORDER NO.: N/A

BASE SECTION JOINT: N/A

CHECK: J.H. ROSS, PE

DRAWING: N. RICHARDS

QC CHECK INITIALS:

DATE: 05/04/24

SCALE: NTS

PG. 1 of 1

