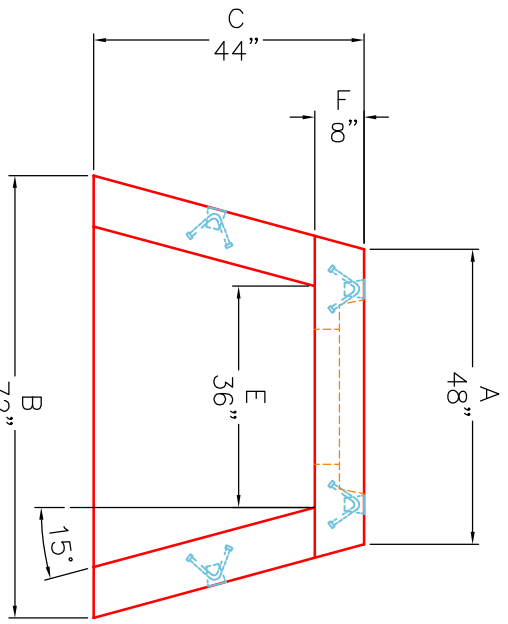
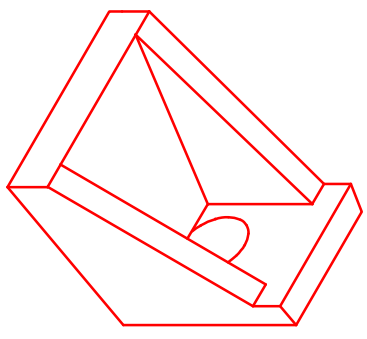


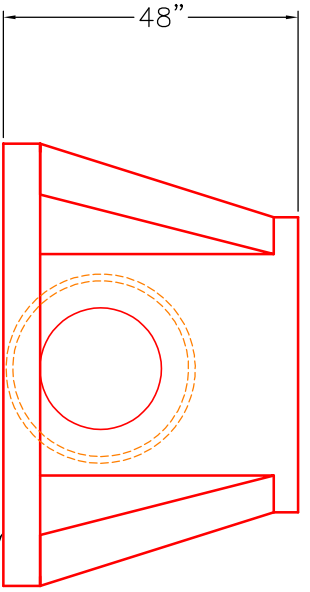
DIMENSIONS & QUANTITIES									
TYPE	PIPE Ø	A	B	C	D	E	F	G	WEIGHT
BW	24"	4'-0"	6'-0"	3'-8"	3'-0"	3'-0"	8"	6"	3,100 LBS.



PLAN VIEW

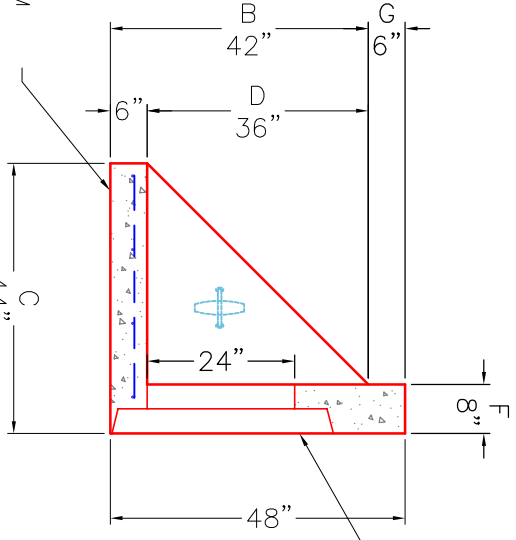


ISOMETRIC VIEW



FRONT ELEVATION

FLAT BOTTOM
NOT TOE




SECTION A-A

NOTES:

1. CONCRETE: 4500 PSI AT 28 DAYS MIN. STRENGTH.
2. REINFORCING: #4 BAR @ 12" C/C E.W.-GRADE 60, (WITH 2" CONCRETE COVER MINIMUM)
3. REINFORCING BARS TO BE TACK WELDED OR TIED.

PRODUCTION WORK ORDER

		QUALITY CONTROL CHECKLIST	
<input type="checkbox"/> ALL DIMENSIONS CORRECT. <input type="checkbox"/> LIFTERS INSTALLED. <input type="checkbox"/> STEPPED HF CORRECT SIZE. <input type="checkbox"/> REINFORCING CORRECT. <input type="checkbox"/> CLEARANCE ON REINFORCING CORRECT. <input type="checkbox"/> EDGES CHAMFERED. <input type="checkbox"/> ALL PATCHWORK ACCEPTABLE.		PRODUCT I.D.: HWBW24F DESCRIPTION: 24in BW HEADWALL FLAT BOTTOM	
PRODUCT VIEW: RIGHT SIDE UP PLANT: BEAVER DAM, KY. WEIGHT: 3,475 LBS. TOP SECTION JOINT: N/A BASE SECTION JOINT: N/A QC CHECK INITIALS:		CUSTOMER: STOCK PROJECT: T.B.D. STRUCTURE I.D.: T.B.D. SALES ORDER NO: STOCK CHECK: B. SMITH DATE: 06/04/24 SCALE: NTS DRAWING: J. HORSLEY	

THIS DRAWING IS THE PROPERTY OF INFRASTRUCTURE PRECAST, INC. ANY USE OR DUPLICATION OF THIS DRAWING WITHOUT PRIOR AUTHORIZATION IS STRICTLY PROHIBITED.