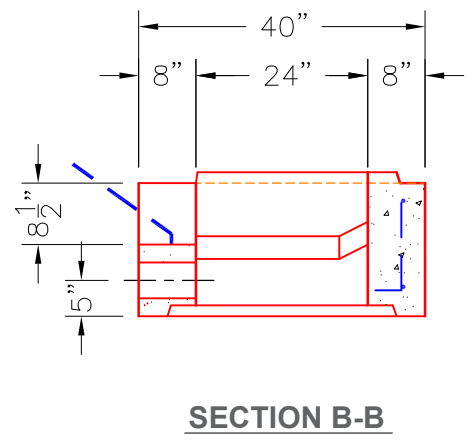
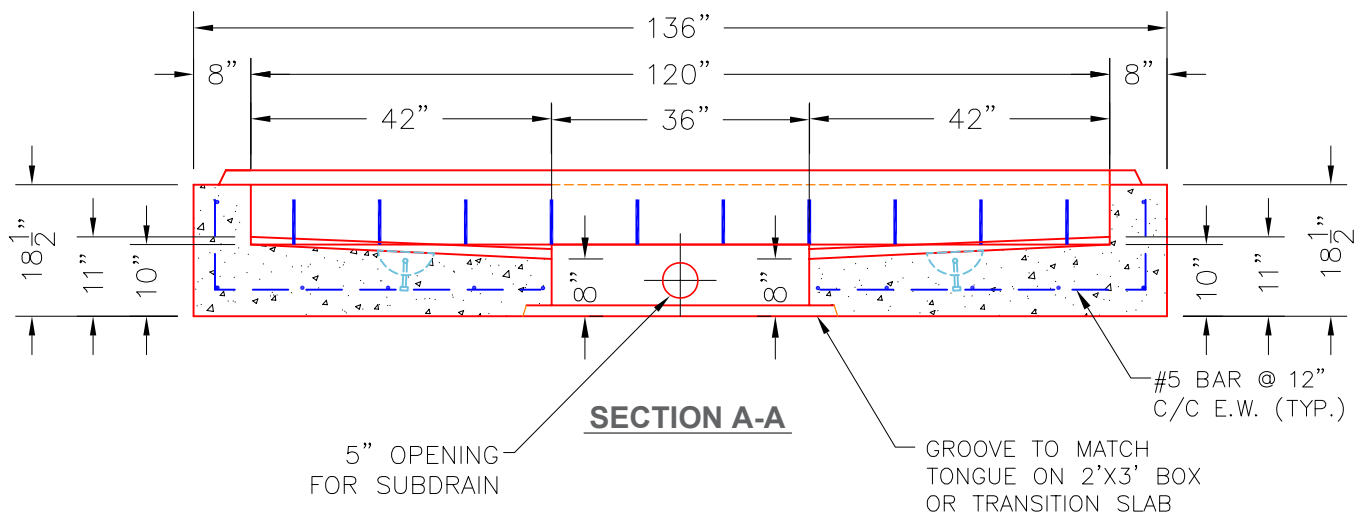
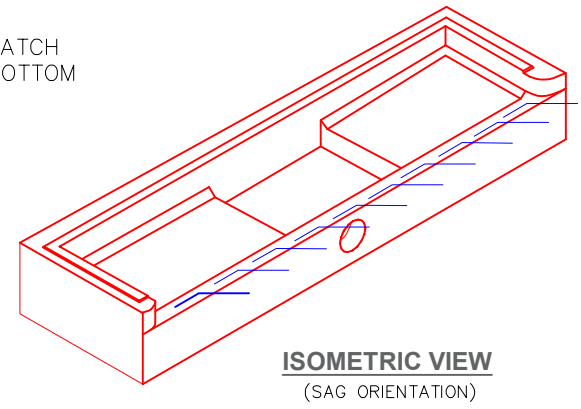
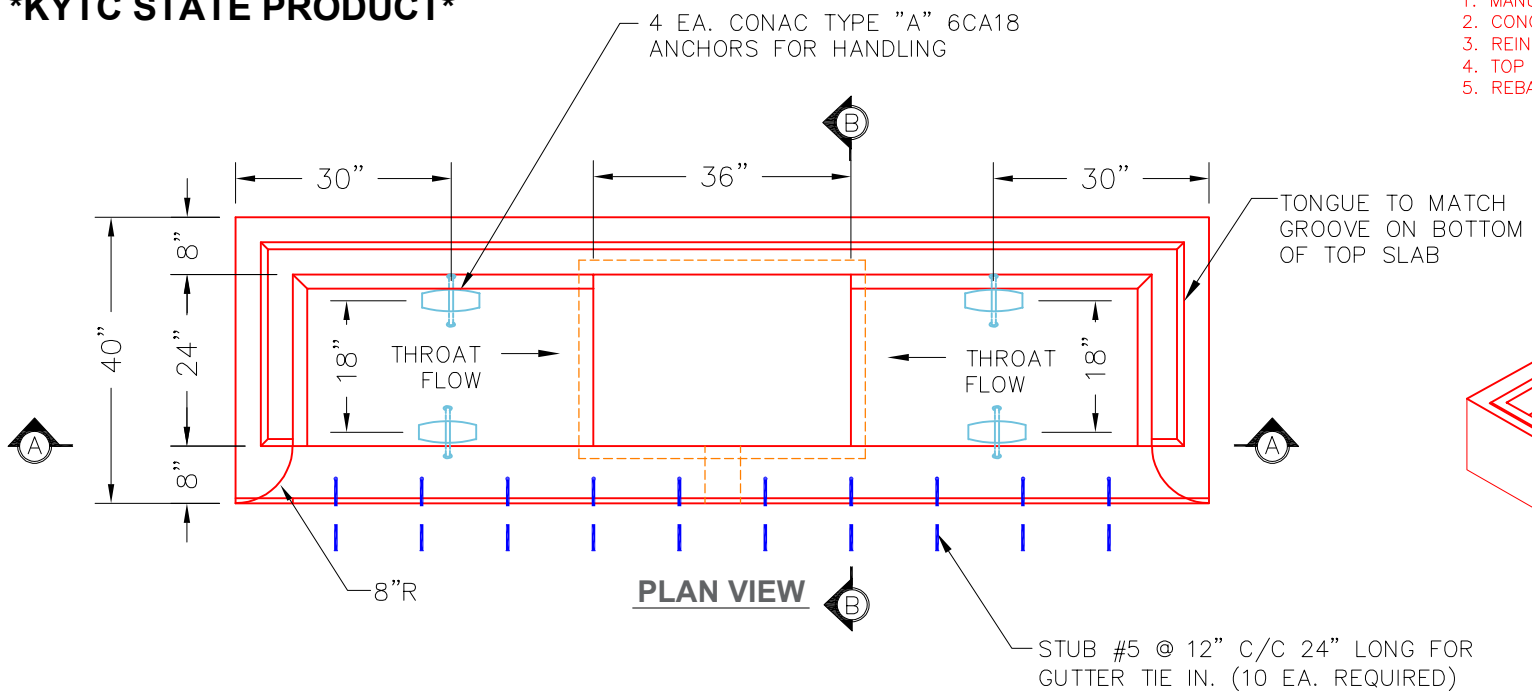



KYTC STATE PRODUCT

GENERAL NOTES:

1. MANUFACTURED PER KYC SPECIFICATIONS
2. CONCRETE F'C = 4,500 PSI AT 28 DAYS.
3. REINFORCING: #5 BAR @ 12" C/C E.W. (GRADE 60)
4. TOP PHASE OVERALL HEIGHT NOT TO EXCEED 28"
5. REBAR EXTENSIONS TO BE CAPPED AFTER BEING BENT.



PRODUCTION WORK ORDER		PRODUCT I.D.: CBITA-10BS	DESCRIPTION: KYTC 10' CBI-TYPE A TOP PHASE BOTTOM (SAG)	
 <p>QUALITY CONTROL CHECKLIST</p> <p><input type="checkbox"/> ALL DIMENSIONS CORRECT.</p> <p><input type="checkbox"/> LIFTERS INSTALLED.</p> <p><input type="checkbox"/> SUBDRAIN HOLE CORRECT.</p> <p><input type="checkbox"/> REINFORCING CORRECT.</p> <p><input type="checkbox"/> EXTENDED REBAR INSTALLED.</p> <p><input type="checkbox"/> KYTC THROAT CORRECT.</p> <p><input type="checkbox"/> ALL PATCHWORK ACCEPTABLE.</p>	PRODUCT VIEW: RIGHT SIDE UP	CUSTOMER: STOCK		
	PLANT: BEAVER DAM, KY.	PROJECT: STOCK		
	WEIGHT: 5,270 LBS.	STRUCTURE ID.: N/A		
	TOP JOINT: SHIP-LAP TONGUE	SALES ORDER NO: N/A		
	BOTTOM JOINT: N/A	CHECK: J.H. ROSS, PE	DRAWING: N. RICHARDS	
	QC CHECK INITIALS:	DATE: 06/19/23	SCALE: NTS	PG. 1 of 1