

Job Name: 26-2124 833344 The Kingdom Center
Job Location: Louisville, KY
Contractor: Contech Engineering Solutions

PC: C. Goff
 TECH: S. Felletter
 Plant: Beaver Dam



Structure ID: **10-CS-3**
 Spec: Storm-Pipe Centered
 Type: STM.MH
 Size: 36"

Rim: 745.39'
 Invert: 742.2'
 Rim to Invert: 3.19'

Sump: 38.04"
 Floor (Top): 739.03'
 Floor Height: 6"

Floor (Bot): 738.53'
 Overall Height: 6.667'
 Slack: 2.32"

Structure Notes:
 4" CASTING BY OTHERS

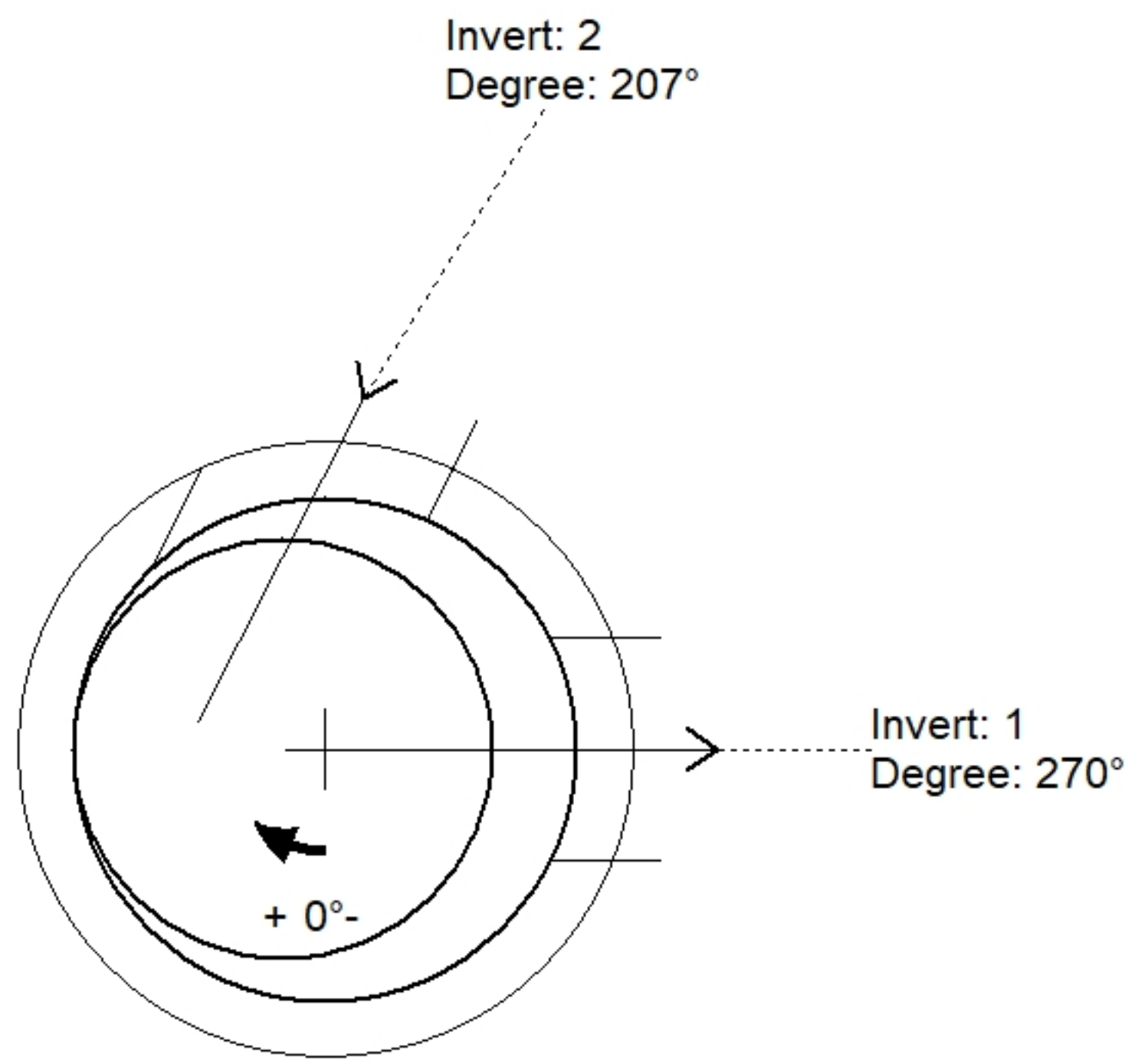
LIFTING ANCHORS TO BE INSTALLED
 ON THE OUTSIDE OF THE STRUCTURE

ICAST TO INSTALL THE INTERNALS

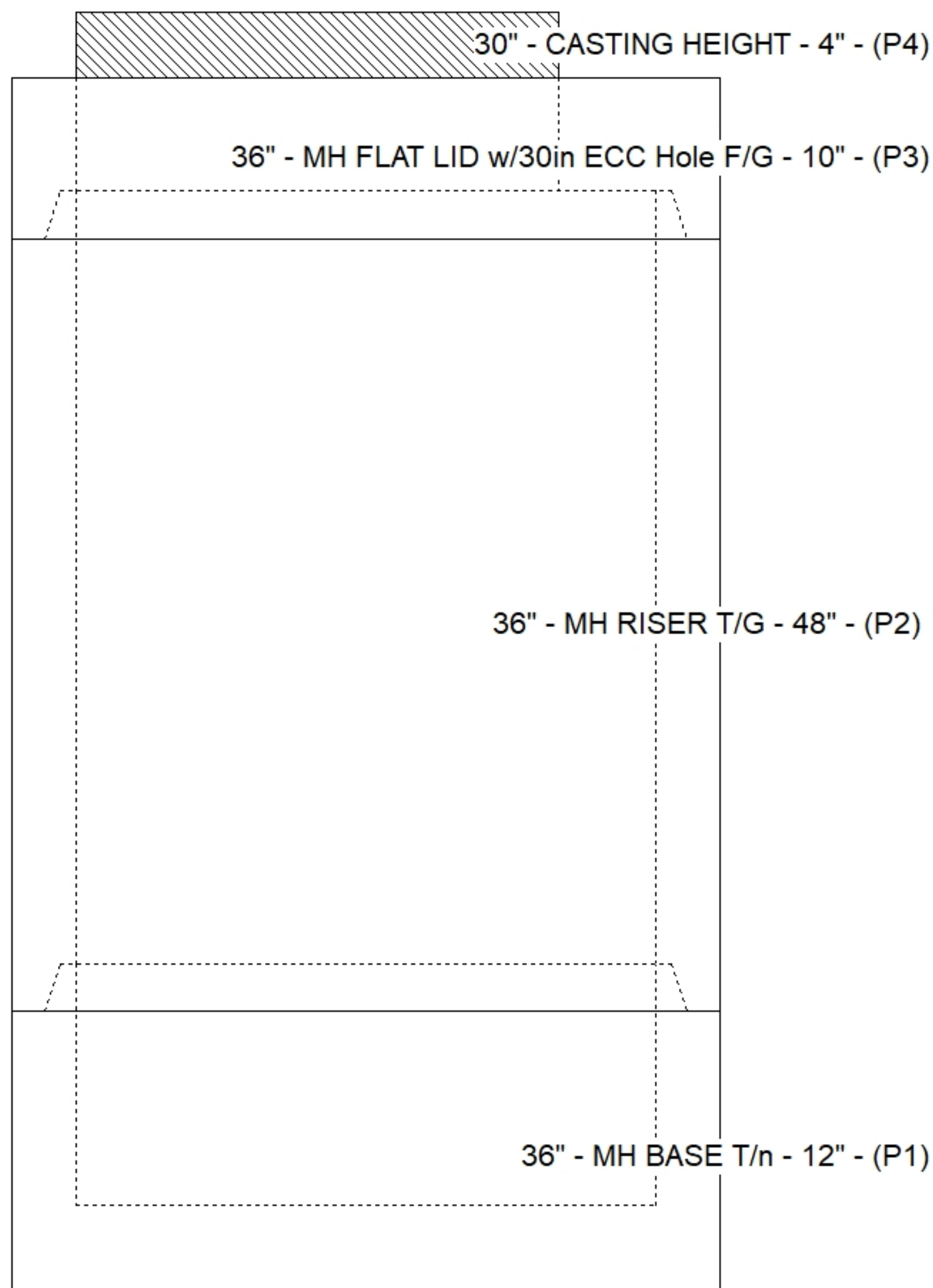
CONTCH'S LOGO AS WELL AS THE
 INLET AND OUTLET MUST BE
 STENCILED ONTO THE STRUCTURE

STRUCTURE SUMMARY:

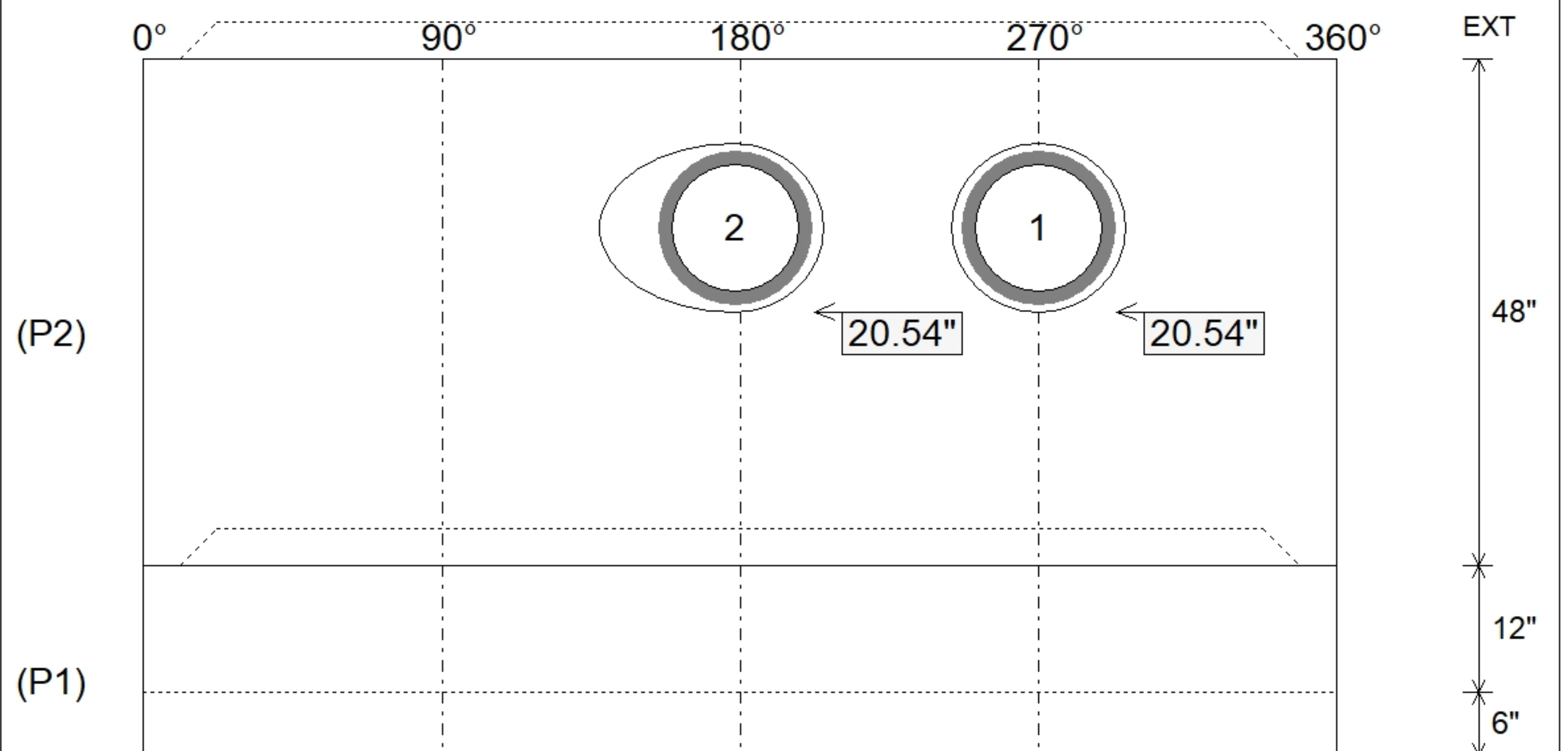
P4) 30" - CASTING HEIGHT - 4"	0 lb
P3) 36" - MH FLAT LID w/30in ECC Hole F/G - 10"	683 lb
P2) 36" - MH RISER T/G - 48"	1871 lb
P1) 36" - MH BASE T/n - 12"	1272 lb
1) CVSTENCILING	0 lb
1) ASSEMBLY REQUIRED	0 lb
2) 36" - Conseal CS-102 1.00"	0 lb
2) Hole - 16	0 lb
Structure Total:	3826 lb



Position	Elev	Angle	Pipe	Pipe OD	Hole	Connector	Up ()	Ref
Rim	745.39'							
Reducer								
Invert 1	742.2'	270°	12" HDPE	14.5"	16"	Hole 16	20.54"	P2
Invert 2	742.2'	207°	12" HDPE	14.5"	16"	Hole 16	20.54"	P2
Invert 3								
Invert 4								
Invert 5								
Invert 6								
Invert 7								
Invert 8								



Default - Interior Dimensions



Submittal Drawing
 5/1/2026 9:24:45 AM

SUBMITTAL
 APPROVED BY: