

Job Name: 26-2124 833344 The Kingdom Center
 Job Location: Louisville, KY
 Contractor: Contech Engineering Solutions

Plant: Beaver Dam
 4/30/2026 1:48:04 PM

Tech: S. Felletter
 PC: C. Goff



Structure ID: 10-CS-3

P3 MH036LD10-30ECC

MH FLAT LID w/30in ECC Hole F/G

- P4) 30" - CASTING HEIGHT - 4"
- P3) 36" - MH FLAT LID w/30in ECC Hole F/G - 10"
- P2) 36" - MH RISER T/G - 48"
- P1) 36" - MH BASE T/h - 12"
- 1) CVSTENCILING
- 1) ASSEMBLY REQUIRED
- 2) 36" - Conseal CS-102 1.00"
- 2) Hole - 16

0 lb
 683 lb
 1871 lb
 1272 lb
 0 lb
 0 lb
 0 lb
 0 lb

 Structure Total: 3826 lb

Structure Notes:
 4" CASTING BY OTHERS

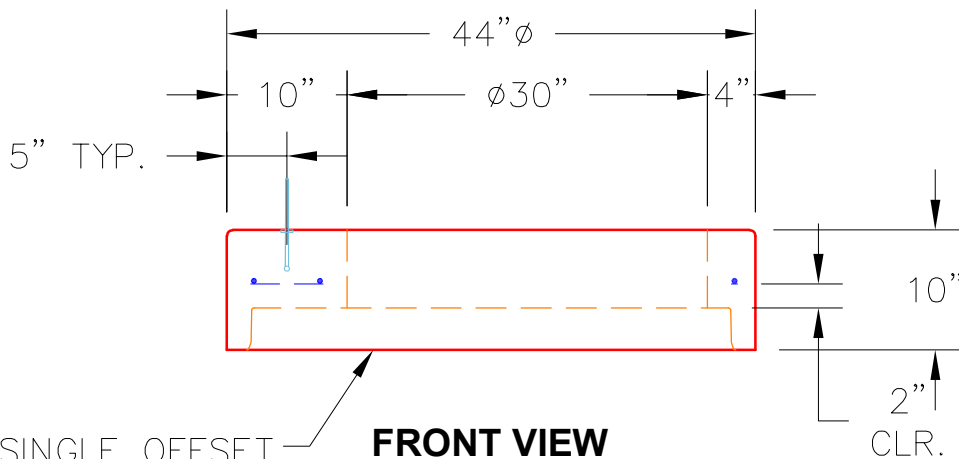
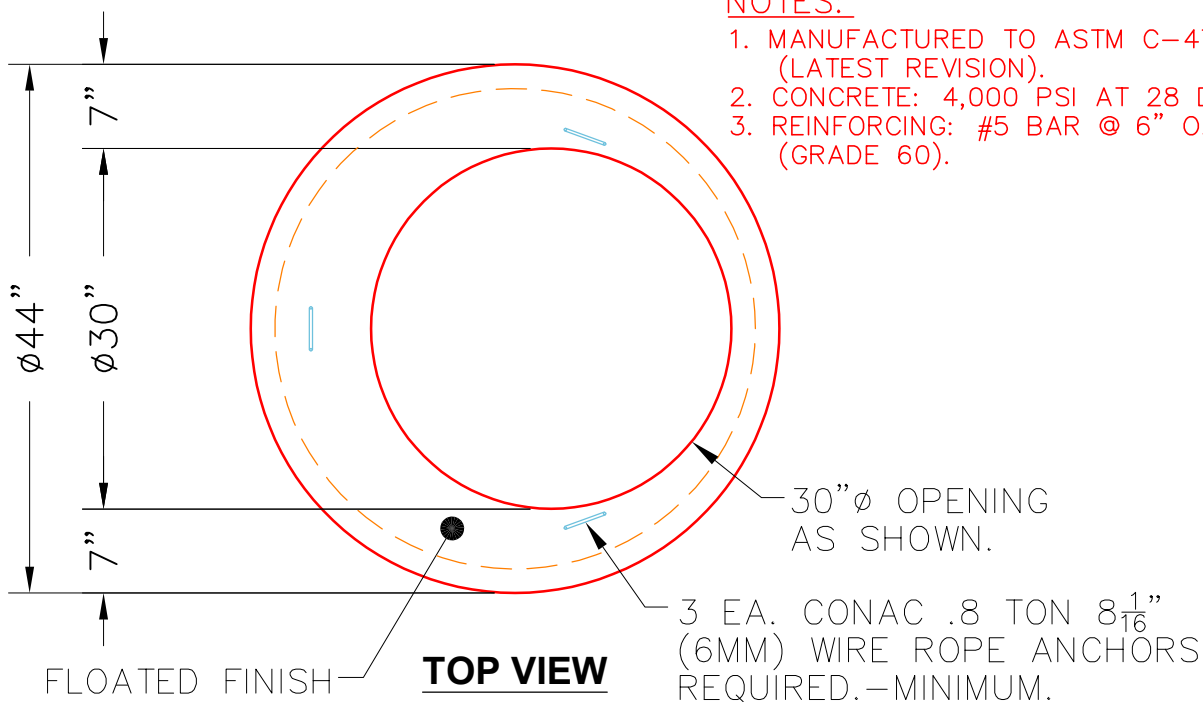
 LIFTING ANCHORS TO BE INSTALLED
 ON THE OUTSIDE OF THE STRUCTURE

 ICAST TO INSTALL THE INTERNALS

 CONTCH'S LOGO AS WELL AS THE
 INLET AND OUTLET MUST BE
 STENCILED ONTO THE STRUCTURE

NOTES:

1. MANUFACTURED TO ASTM C-478 (LATEST REVISION).
2. CONCRETE: 4,000 PSI AT 28 DAYS.
3. REINFORCING: #5 BAR @ 6" O.C. E.W. (GRADE 60).



Coating (Int):
 Coating (Ext):

Seam Up: Flat
 Seam Dn: Groove

Wall Thickness: 4"

Height (Ext): 0.833'

Weight (Net): 683 lb
 Volume (Net): 0.17cu.yd