

Job Name: 26-2124 833344 The Kingdom Center
 Job Location: Louisville, KY
 Contractor: Contech Engineering Solutions

Plant: Beaver Dam
 4/30/2026 1:48:13 PM

Tech: S. Felletter
 PC: C. Goff



Structure ID: 10-CS-3

P2 MH036RS48

MH RISER T/G

- P4) 30" - CASTING HEIGHT - 4"
- P3) 36" - MH FLAT LID w/30in ECC Hole F/G - 10"
- P2) 36" - MH RISER T/G - 48"
- P1) 36" - MH BASE T/n - 12"
- 1) CVSTENCILING
- 1) ASSEMBLY REQUIRED
- 2) 36" - Conseal CS-102 1.00"
- 2) Hole - 16

0 lb
 683 lb
 1871 lb
 1272 lb
 0 lb
 0 lb
 0 lb
 0 lb
 0 lb

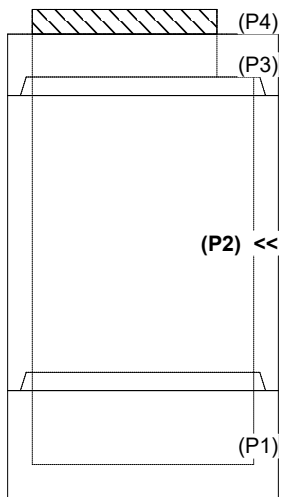
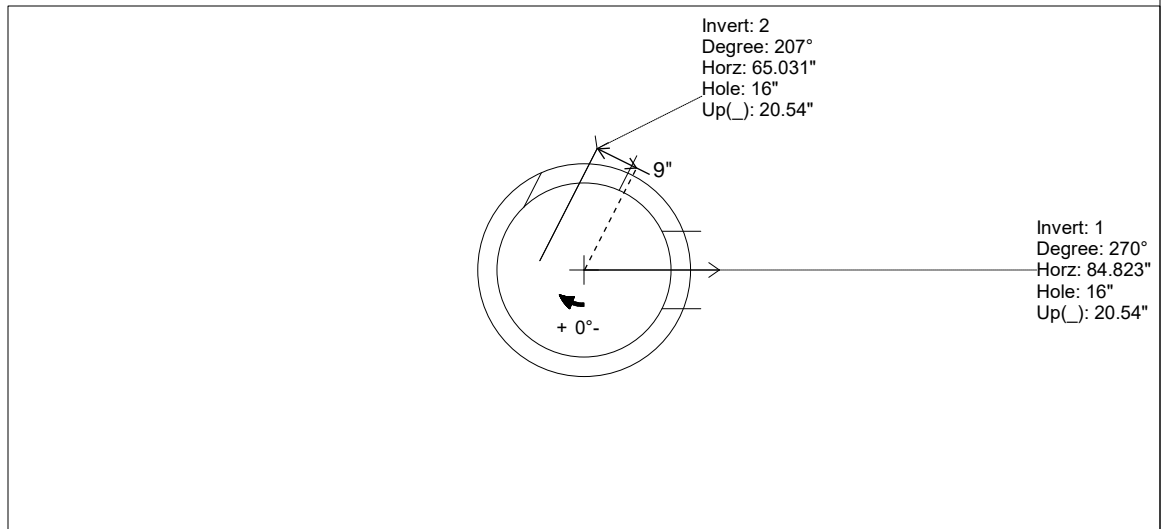
 Structure Total: 3826 lb

Structure Notes:
 4" CASTING BY OTHERS
 LIFTING ANCHORS TO BE INSTALLED ON THE OUTSIDE OF THE STRUCTURE
 ICAST TO INSTALL THE INTERNALS
 CONTCH'S LOGO AS WELL AS THE INLET AND OUTLET MUST BE STENCILED ONTO THE STRUCTURE

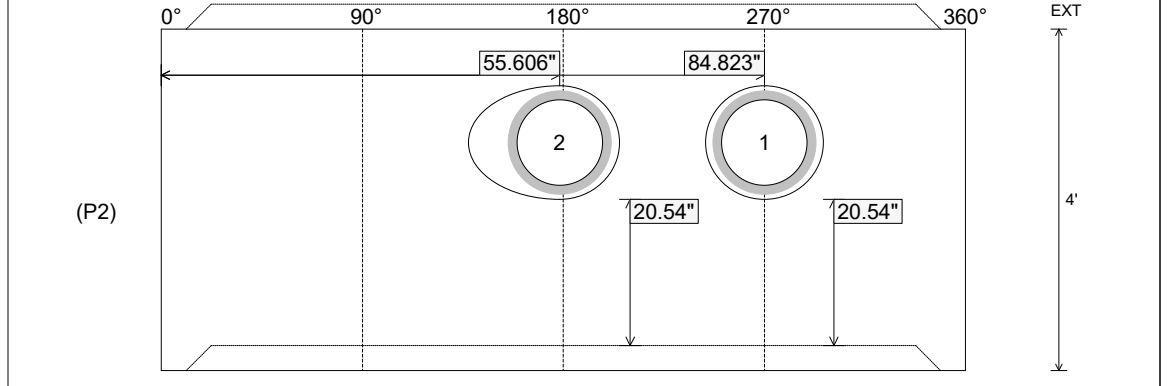
Rim: 745.39' Rim to Invert: 3.19' Slack: 0.193' Sump: 3.17' Step Position:

Position	Elev	Angle	Ext. (cw)	Pipe	Pipe OD	Connector	Hole	Horz Size	Up (⌋)	Offset
Invert 1	742.2'	270°	103.673"	12" HDPE	14.5"	Hole 16	16"	16.58"	20.54"	0"
Invert 2	742.2'	207°	70.21"	12" HDPE	14.5"	Hole 16	16"	21.246"	20.54"	-9"
Invert 3										
Invert 4										
Invert 5										
Invert 6										
Invert 7										
Invert 8										

RIGHT-SIDE UP VIEW (int. dimensions)



INSIDE WALL DIMENSIONS



Coating (Int): Coating (Ext):	Seam Up: Tongue Seam Dn: Groove	Wall Thickness: 4" Floor Height: 0'	Height (Int): 4' Height (Ext): 4'	Weight (Net): 1871 lb Volume (Net): 0.48cu.yd
----------------------------------	------------------------------------	--	--------------------------------------	--