

Job Name: 24-3843 Joyland PH 2
Job Location: Lexington, KY
Contractor: Lagco Inc.

PC: C. Goff
 TECH: J. Coppage
 Plant: Beaver Dam



Structure ID: MH-104/MH-104A (ALT. 8x8)

Spec: Storm
 Type: BX 8inW, 8inF
 Size: 96" x 96"

Rim: 945.97'
 Invert: 940.95'
 Rim to Invert: 5.02'

Sump: 0"
 Floor (Top): 940.95'
 Floor Height: 8"

Overall Height: 5.667'
 Slack: 0.24"

Structure Notes:

1. PER ASTM C913 SPECIFICATIONS.
2. CONCRETE = 4,000 PSI AT 28 DAYS.
3. CASTING BY ICAST (HOE MC-350 F/C).

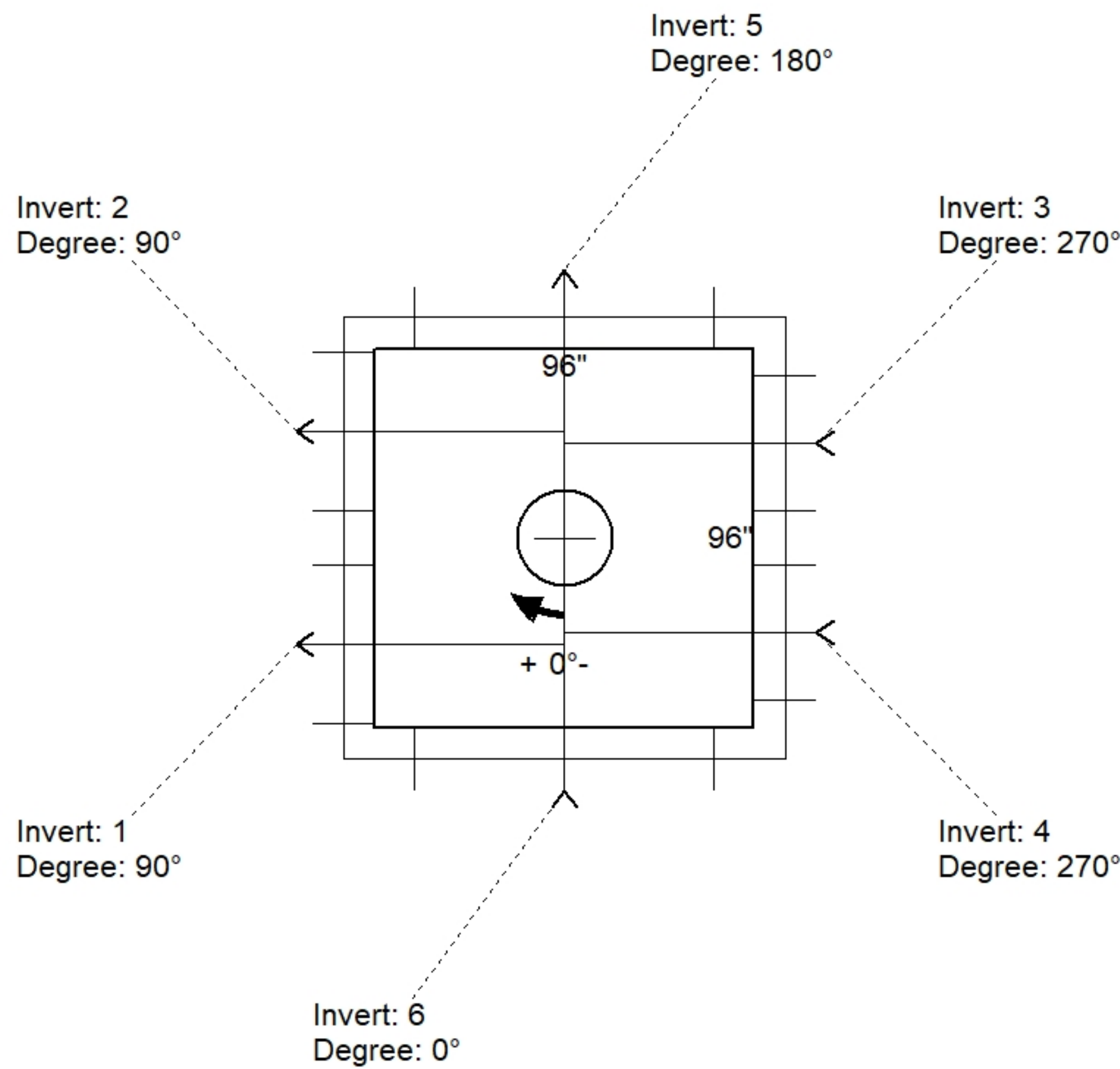
REINFORCING PER ASTM A615 (GRADE 60).
 - TOP SLAB (As .62) #5 BARS AT 6" C.C.E.W.
 - WALLS (As .47) #5 BARS AT 8" C.C.E.W.
 - FLOOR (As .47) #5 BARS AT 8" C.C.E.W.

RFI:

1. VERIFY ELEVATION OF EXISTING CMP-ARCH PIPE.
2. VERIFY SIZE OF EXISTING CMP-ARCH PIPE. THE PROVIDED 45"x72" DOESN'T MATCH A NORMAL SIZE.
3. VERIFY SPACING BETWEEN PARALLEL 24" RCP & 30"x19" HERCP.

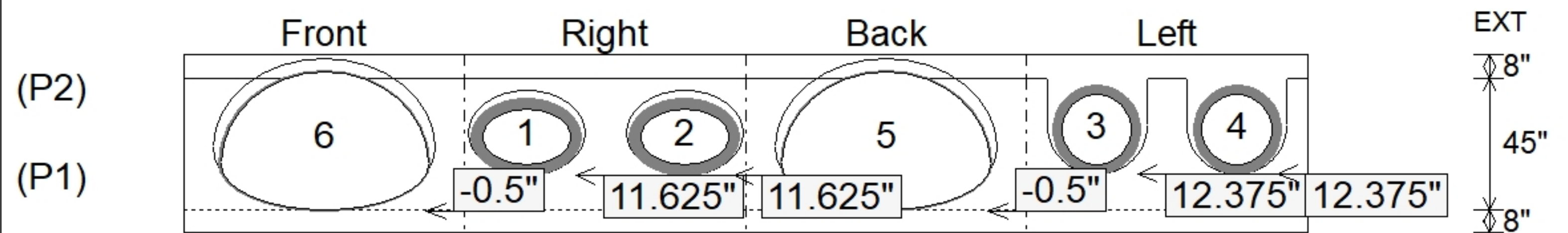
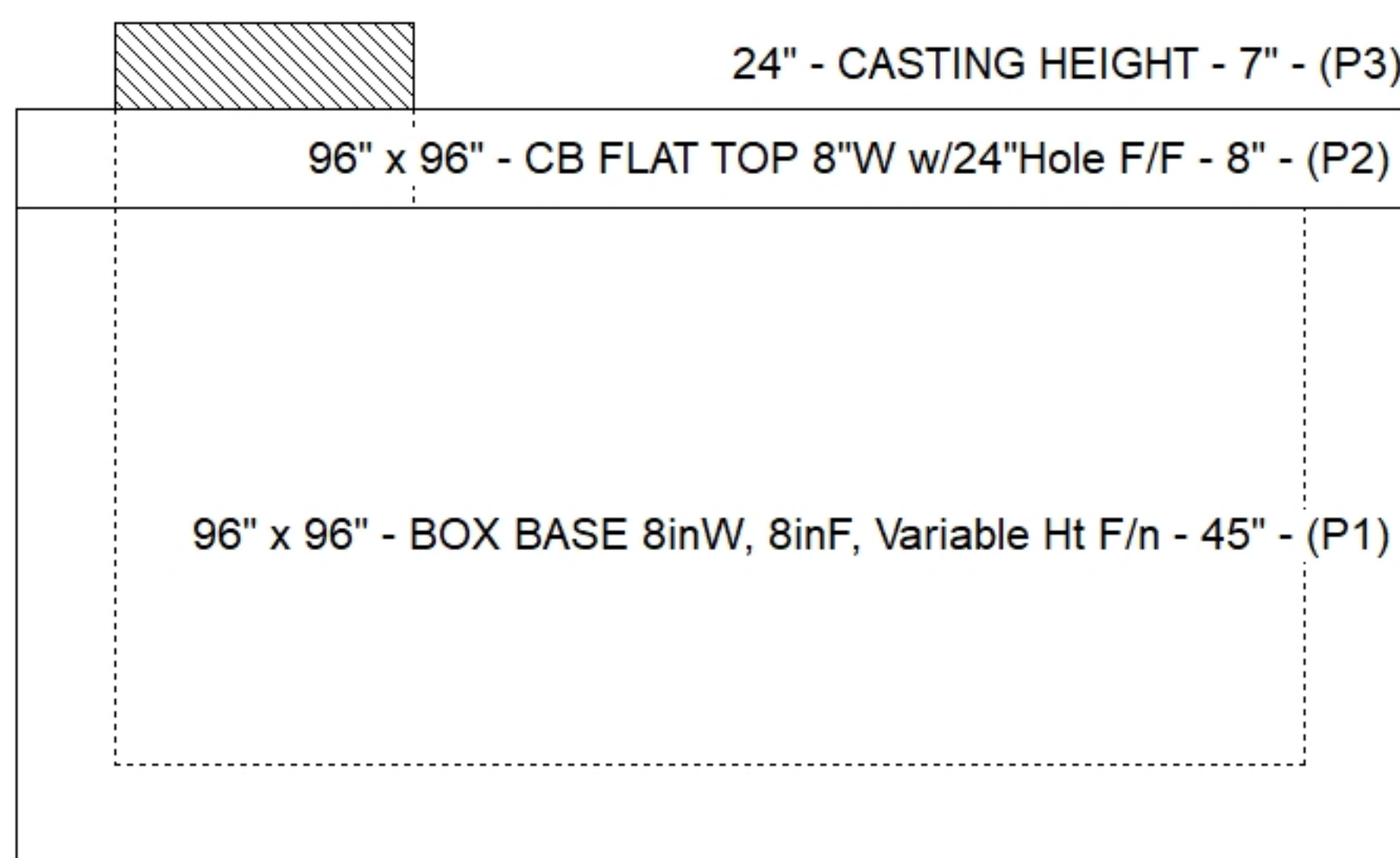
STRUCTURE SUMMARY:

P3) 24" - CASTING HEIGHT - 7"	0 lb
P2) 96" x 96" - CB FLAT TOP 8"W w/24"Hole F/F - 8"	7816 lb
P1) 96" x 96" - BOX BASE 8inW, 8inF, Variable Ht F/n - 45"	14564 lb
1) CASTING - HOE MC-350 F/C Sanitary	305 lb
1) 96" x 96" - Conseal CS-102 1.00"	0 lb
2) Hole - 40 x 29	0 lb
2) DOGHOUSE INVRTD - 34"x32"	0 lb
2) 76" x 52" - Arched Hole (CMP)	0 lb
Structure Total:	22686 lb



Position	Elev	Angle	Ext. (cw)	Pipe	Hole	Connector	Up ()	Ref
Rim	945.97'							
Reducer								
Invert 1	942.23'	90°	29"	30" x 19" ELL RCP	40" x 29"	Hole 40 x 29	11.625"	P1
Invert 2	942.23'	90°	83"	30" x 19" ELL RCP	40" x 29"	Hole 40 x 29	11.625"	P1
Invert 3	942.23'	270°	32"	24" RCP B WALL	34" x 32"	DOGHOUSE INVRTD 34"x32"	12.375"	P1
Invert 4	942.23'	270°	80"	24" RCP B WALL	34" x 32"	DOGHOUSE INVRTD 34"x32"	12.375"	P1
Invert 5	940.95'	180°	56"	71" x 47" CMP ARCH	76" x 52"	76" x 52" Arched Hole (CMP)	-0.5"	P1
Invert 6	940.95'	0°	56"	71" x 47" CMP ARCH	76" x 52"	76" x 52" Arched Hole (CMP)	-0.5"	P1
Invert 7								
Invert 8								

Cast (Int. Dim.) - Interior Dimensions



Submittal Drawing
 6/19/2025 10:04:02 AM

SUBMITTAL
 APPROVED BY: