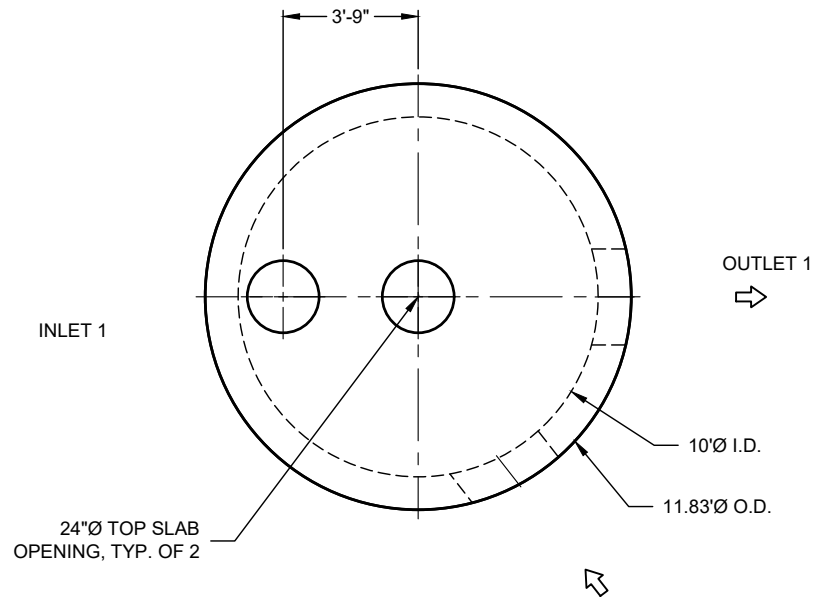
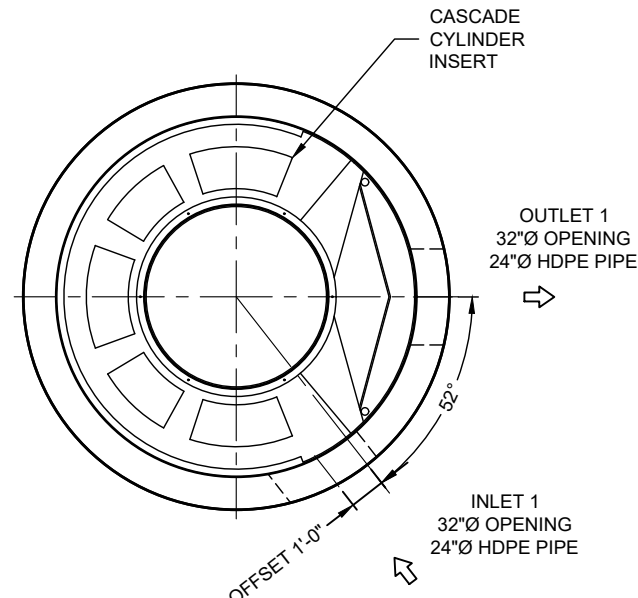


# 26-2087 839373 Georgetown Commons



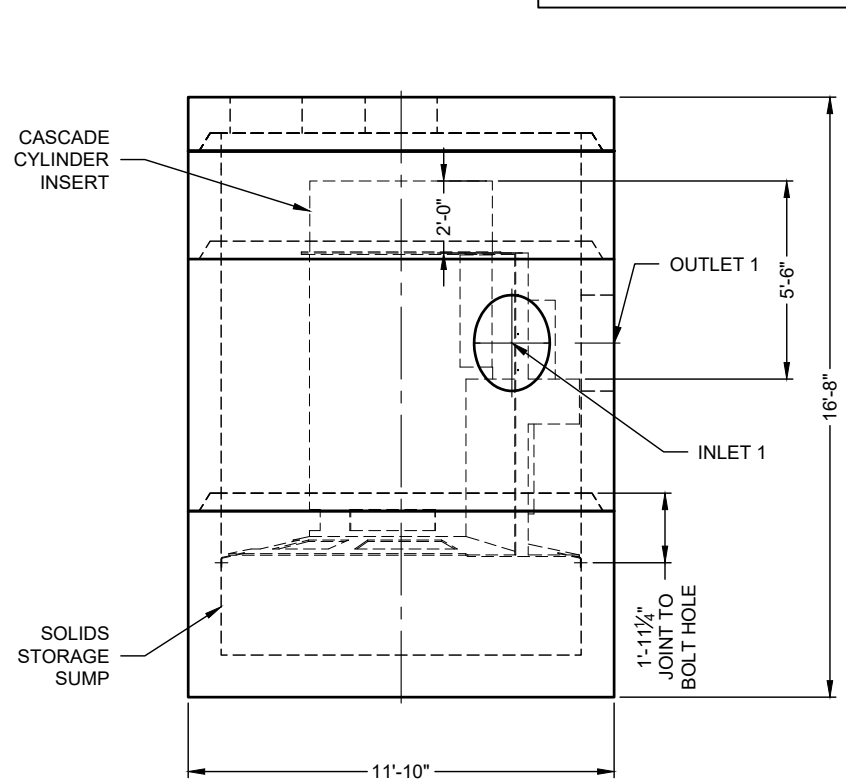
**PLAN VIEW**  
INTERNALS NOT SHOWN



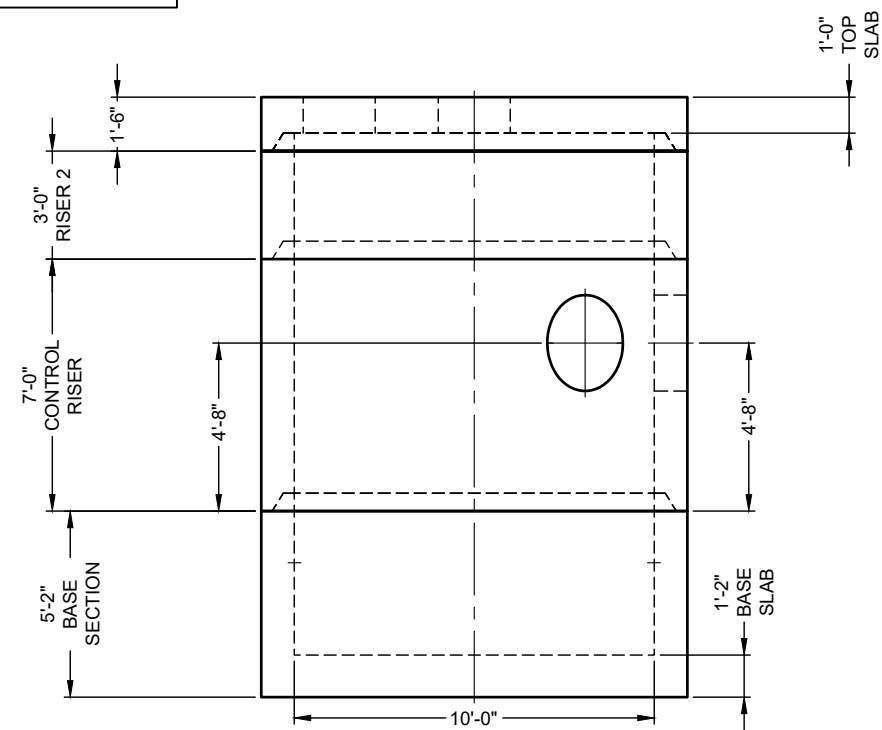
**PLAN VIEW FOR PIPE ORIENTATION**  
TOP SLAB NOT SHOWN

INTERNAL COMPONENTS TO BE INSTALLED ON SITE BY CONTECH FIELD CONSULTANT. PRECASTER TO SHIP ALL INTERNAL COMPONENTS WITH STRUCTURE

SEE INSTALLATION NOTE A



**ELEVATION VIEW**



**PRECAST COMPONENTS**  
INTERNALS NOT SHOWN

ICAST  
5888 / 757440  
LAYOUT 1A  
50.82TS

CONTECH  
**FABRICATION**  
DRAWING

## MATERIAL LIST

COUNT	DESCRIPTION	PART NUMBER	PROVIDED BY	INSTALLED BY
1	CS-10 CYLINDER INSERT, STD	325-003976	CONTECH	CONTRACTOR
1	CS-10 CYLINDER TOP	325-003988	CONTECH	CONTRACTOR
8	CS-10 ALUMINUM INSTALLATION BRACKETS	325-003971	CONTECH	PRECASTER
1	CS-10 HARDWARE KIT	325-003977	CONTECH	CONTRACTOR
1	SEALANT FOR JOINTS		PRECASTER	CONTRACTOR
2	24"Ø X 4" FRAME AND COVER, EJ #41600389, OR EQUIV.	325-000350	CONTECH	CONTRACTOR

## GENERAL NOTES

- DESIGN LOADING - AASHTO HS-20
- ALL PRECAST CONCRETE MANUFACTURED PARTS SHALL CONFORM TO ASTM C-478, WITH MINIMUM CONCRETE STRENGTH OF 4000 PSI AT 28 DAYS
- JOINT SEALANT SHALL CONFORM TO ASTM C-990 OR ASTM C-443
- GROUND WATER ELEVATION ASSUMED AT OUTLET INVERT
- MANUFACTURING TOLERANCE = +/- 1/2-INCH
- SOME HIDDEN LINES MAY BE OMITTED FOR CLARITY

## INSTALLATION NOTES

- PRECASTER TO SHIP ACCESS CASTINGS WITH STRUCTURE
- REFER TO CONTECH ASSEMBLY INSTRUCTIONS FOR ADDITIONAL INFORMATION.
- PRECASTER TO INSTALL INTERNAL COMPONENTS PRIOR TO SHIPPING UNLESS INSTRUCTED OTHERWISE BY CONTECH
- PIPE OPENINGS SHALL BE STENCILED "INLET" OR "OUTLET" AS APPROPRIATE
- APPLYING ALIGNMENT MARKS ON ALL PIECES OF MULTIPLE PIECE ASSEMBLIES IS ENCOURAGED
- IF STRUCTURE IS DELIVERED IN MULTIPLE SECTIONS, EACH PIECE SHALL BE LABELED WITH THE CONTECH PROJECT NUMBER, SEQUENCE NUMBER AND SITE DESIGNATION

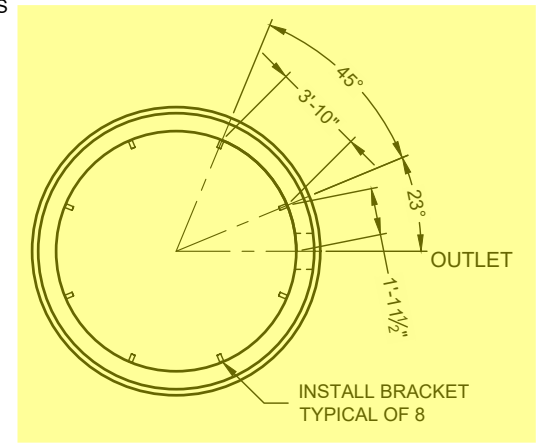
## SITE INFORMATION

RIM ELEV. = 867.8+/-  
TOP OF STRUCTURE = 866.90  
INLET PIPE 1 INVERT ELEV. = 859.07  
INLET PIPE 1 DIAMETER AND MATERIAL = 24"Ø HDPE  
OUTLET PIPE INVERT ELEV. = 859.07  
OUTLET PIPE DIAMETER AND MATERIAL = 24"Ø HDPE  
OUTSIDE BOTTOM OF STRUCTURE ELEV. = 850.23

## STRUCTURE WEIGHT

APPROXIMATE HEAVIEST PICK = 41000 LBS.  
STRUCTURE IS DELIVERED IN 4 PIECES

TOP SLAB = 17500 LBS.  
RISER 2 = 15000 LBS.  
CONTROL RISER = 33500 LBS.  
BASE SECTION = 41000 LBS.



**SUPPORT BRACKET LAYOUT PLAN VIEW**

The design and information shown on this drawing is the property of CONTECH Construction Products, Inc. or one of its affiliated companies ("CONTECH"). Neither this drawing, nor any part thereof, may be used, reproduced, or transmitted in any form or by any means, electronic or mechanical, including photocopying, recording, or by any information storage and retrieval system, without the prior written consent of CONTECH. Failure to comply with these terms and conditions shall constitute a breach of contract and shall constitute a disclaimer of any liability or responsibility for such use. If discrepancies between the supplied information upon which the drawing is based and actual field conditions are encountered as site work progresses, these are to be immediately reported to the design engineer. CONTECH immediately for re-evaluation of the design. CONTECH accepts no liability for designs based on missing, incomplete or inaccurate information supplied by others.

MARK	DATE	REVISION DESCRIPTION	BY

CS-10 - 839373-10  
GEORGETOWN COMMONS TRACT 2  
BUILD-OUT  
GEORGETOWN, KY  
SITE DESIGNATION: #16 WQU

**CONTECH**  
ENGINEERED SOLUTIONS LLC  
A CONTECH COMPANY  
810 Centre Pointe Dr., Suite 400, West Chester, OH 45380  
800.338.1122 513.645.7000 513.645.7803 FAX  
**CASCADE separator**  
FOR PATENT INFORMATION, GO TO www.contech.com/PP

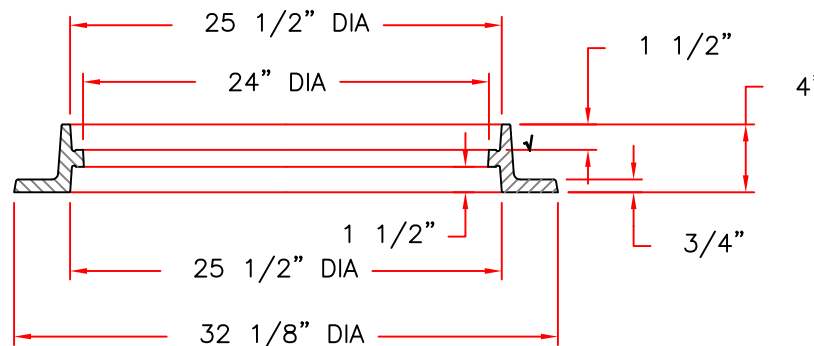
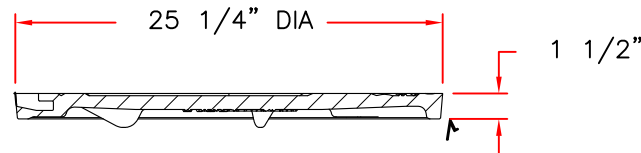
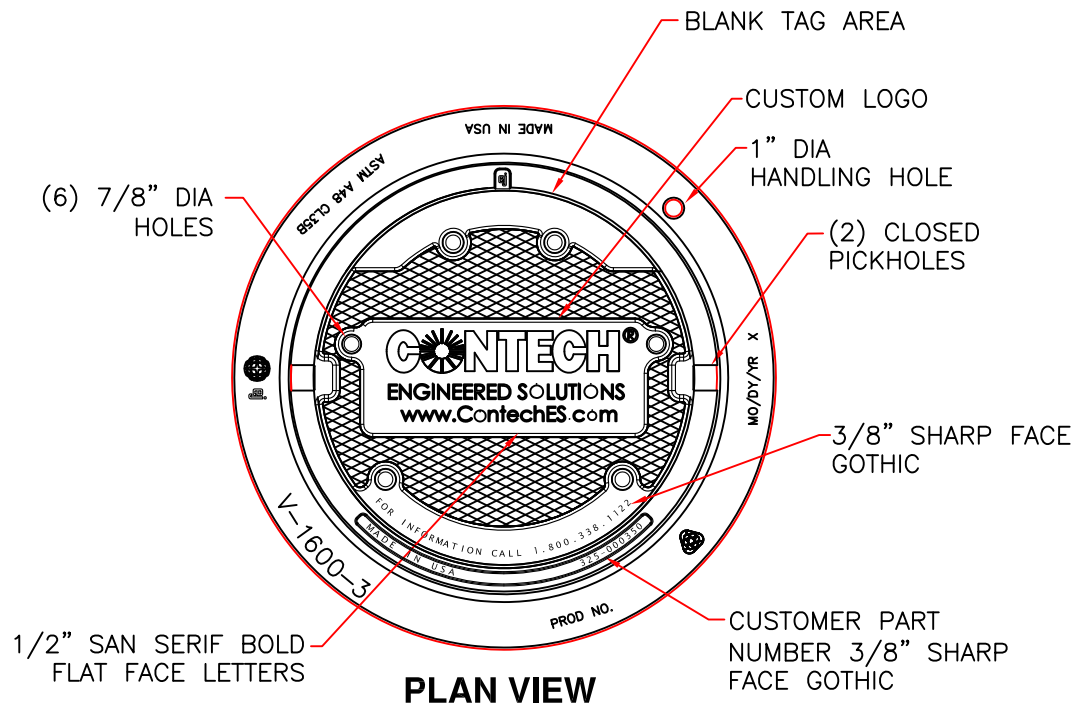
DATE: 4/10/2026

DESIGNED: MDB	DRAWN: MDB
CHECKED: LJK	APPROVED: MDB
PROJECT No.: 839373	SEQUENCE No.: 10
SHEET: 1	OF 1

C:\USERS\MICHAEL.BEAVER\ONEDRIVE - THE QUIKRETE COMPANIES\DYNAMICS\865 - CONTECH - PROJECTS\839373\PRODUCTS\839373-10-CS-10-CONFAB.DWG 4/10/2026 11:47 AM

# 26-2087 839373 Georgetown Commons

## V1600-3 V1610-3 Assembly



**Product Number**  
41600389

**Design Features**

- Materials
  - Frame  
Gray Iron (CL35B)
  - Cover  
Gray Iron (CL35B)

- Design Load  
Heavy Duty
- Open Area  
n/a
- Coating  
Undipped
- √ Designates Machined Surface

**Certification**

- ASTM A48
- Country of Origin: USA

**Major Components**

- 41600310
- 41600374

**Drawing Revision**

- 05/02/2008 Designer: DEW
- 6/20/2017 Revised By: DAE

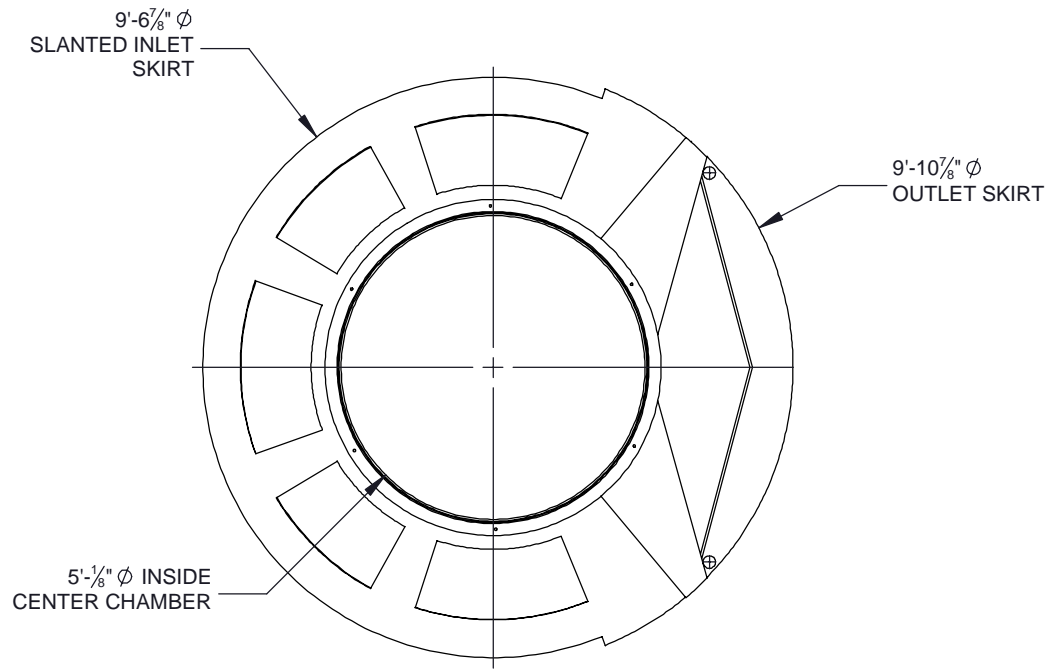
**Disclaimer**

Weights (lbs./kg) dimensions (inches/mm) and drawings provided for your guidance. We reserve the right to modify specifications without prior notice.

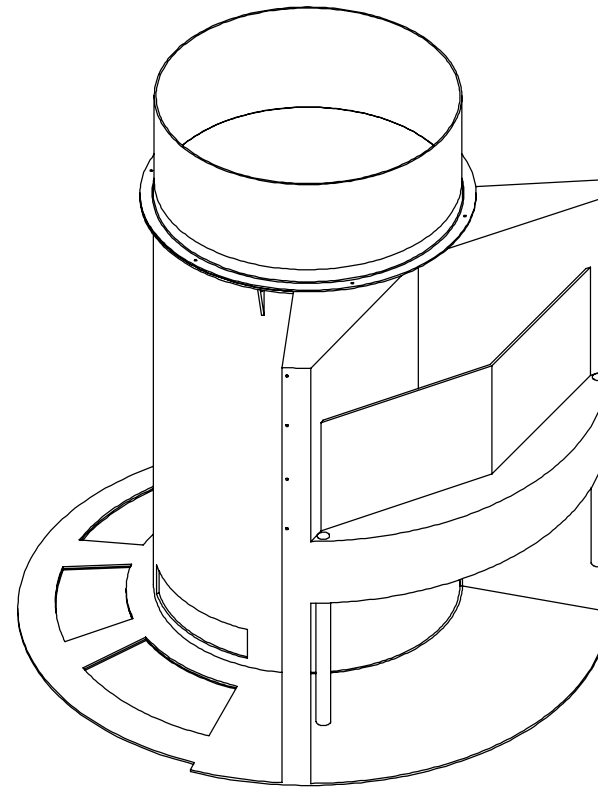
CONFIDENTIAL: This drawing is the property of EJ GROUP, Inc., and embodies confidential information, registered marks, patents, trade secret information, and/or know how that is the property of EJ GROUP, Inc. Copyright © 2012 EJ GROUP, Inc. All rights reserved.

**Contact**

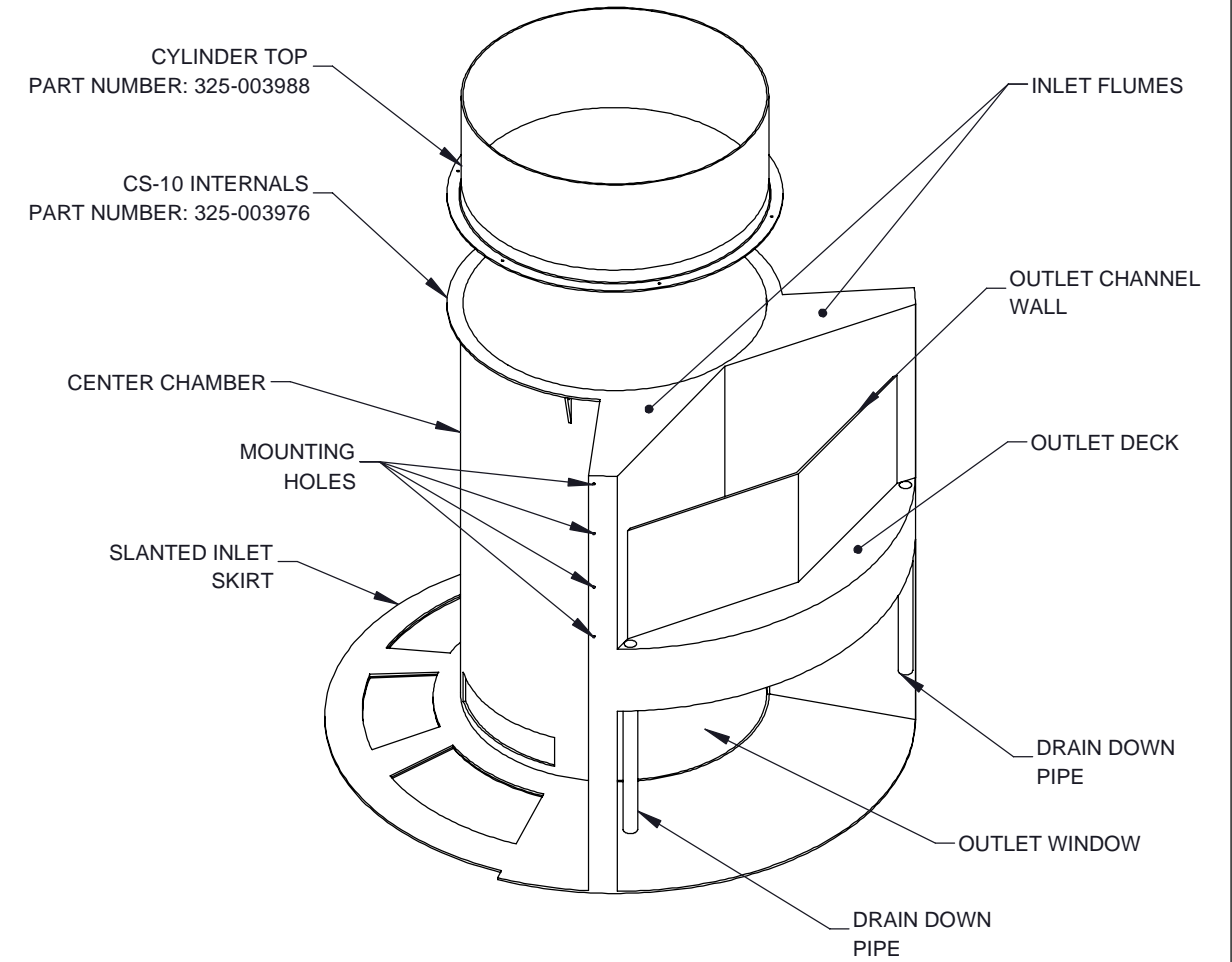
800 626 4653  
ejco.com



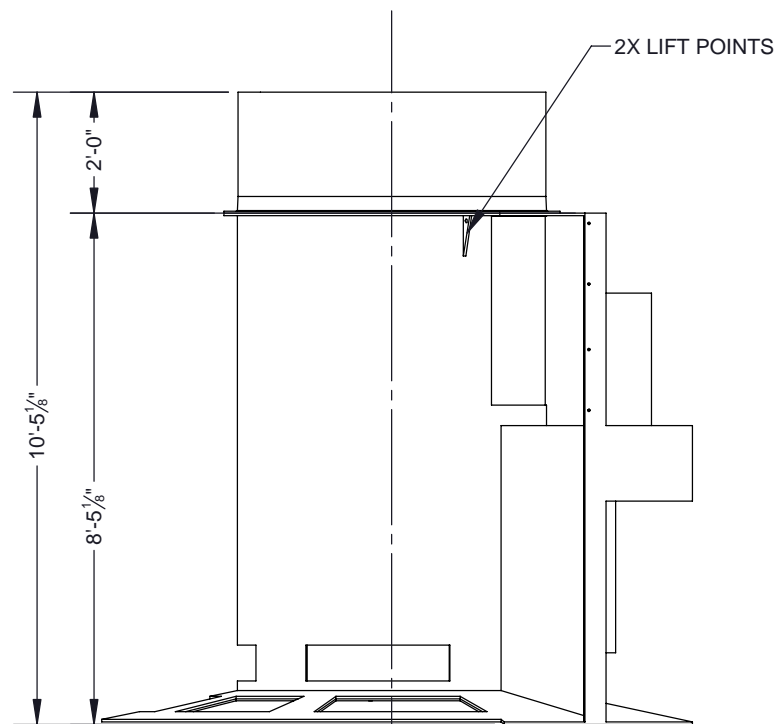
**PLAN VIEW**



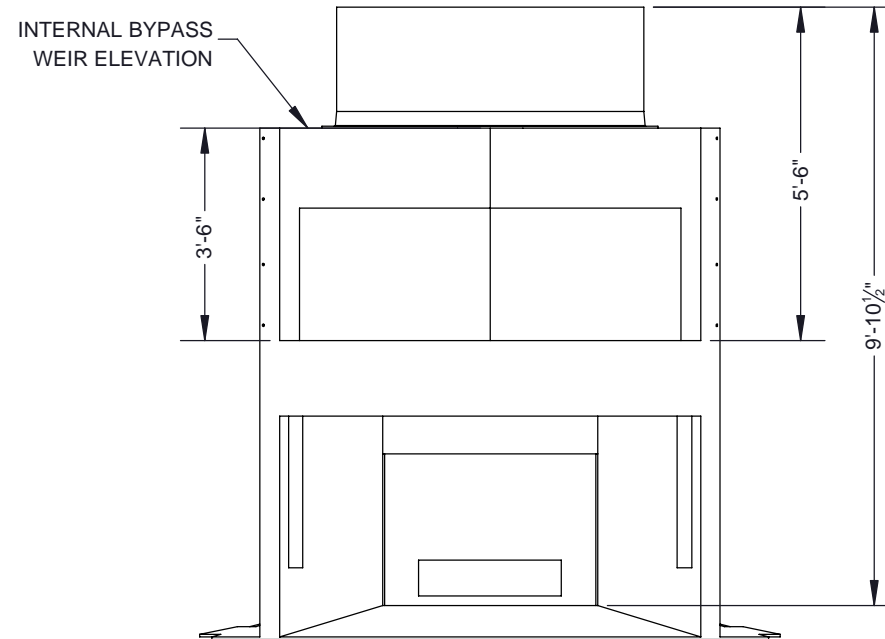
**ISOMETRIC VIEW**



**EXPLODED ISOMETRIC VIEW**



**ELEVATION VIEW**



**ELEVATION VIEW: OUTLET SIDE**

- NOTES:  
1. SEE CASCADE SEPARATOR INSTALLATION GUIDE FOR ADDITIONAL INFORMATION

The design and information shown on this drawing is provided as a service to the project owner, engineer and contractor by Contech Engineered Solutions LLC, or one of its affiliated companies ("Contech"). Neither this drawing, nor any part thereof, may be used, reproduced or modified in any manner without the prior written consent of Contech. Failure to comply is done at the user's own risk and Contech expressly disclaims any liability or responsibility for such use.

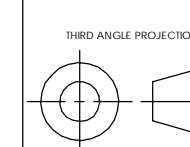
If discrepancies between the supplied information upon which the drawing is based and actual field conditions are encountered as site work progresses, these discrepancies must be reported to Contech immediately for re-evaluation of the design. Contech accepts no liability for designs based on missing, incomplete or inaccurate information supplied by others.

**CASCADE**  
separator™

**CONTECH**  
ENGINEERED SOLUTIONS LLC

www.ContechES.com  
9025 Centre Pointe Dr., Suite 400, West Chester, OH 45069  
800-338-1122 513-645-7000 513-645-7993 FAX

REFERENCE DETAIL  
INTERNALS CS-10 &  
CYLINDER TOP  
CASCADE SEPARATOR



UNLESS OTHERWISE SPECIFIED  
DIMENSIONS ARE IN INCHES

TOLERANCES:  
FRACTIONAL  $\pm 1/16$   
ANGLES  $\pm 1$  DEGREE  
TWO PLACE DECIMAL  $\pm 0.06$   
THREE PLACE DECIMAL  $\pm 0.030$

PART NUMBER: <b>325-003976 &amp; 003988</b>		
APPROVED BY: <b>M. BROOKS</b>	DRAWN BY: <b>J. BELL</b>	
APPROVED BY DATE: <b>2021.10.21</b>	DRAWN BY DATE: <b>2021.09.15</b>	REV: <b>C</b>
SCALE: <b>N/A</b>	SHEET 1 OF 1	