

**Job Name: 26-2087 839373 Georgetown Commons**  
**Job Location: Georgetown, KY**  
**Contractor: Contech Engineering Solutions**

PC: C. Goff  
 TECH: S. Felletter  
 Plant: Beaver Dam



Structure ID: **80-CS-10**

Spec: Storm-Pipe Centered  
 Type: STM.MH  
 Size: 120"

Rim: 869.35'  
 Invert: 860.25'  
 Rim to Invert: 9.1'

Sump: 92.076"  
 Floor (Top): 852.577"  
 Floor Height: 14"

Floor (Bot): 851.41'  
 Overall Height: 17'  
 Slack: 11.276"

Structure Notes:  
 4" CASTING BY OTHERS

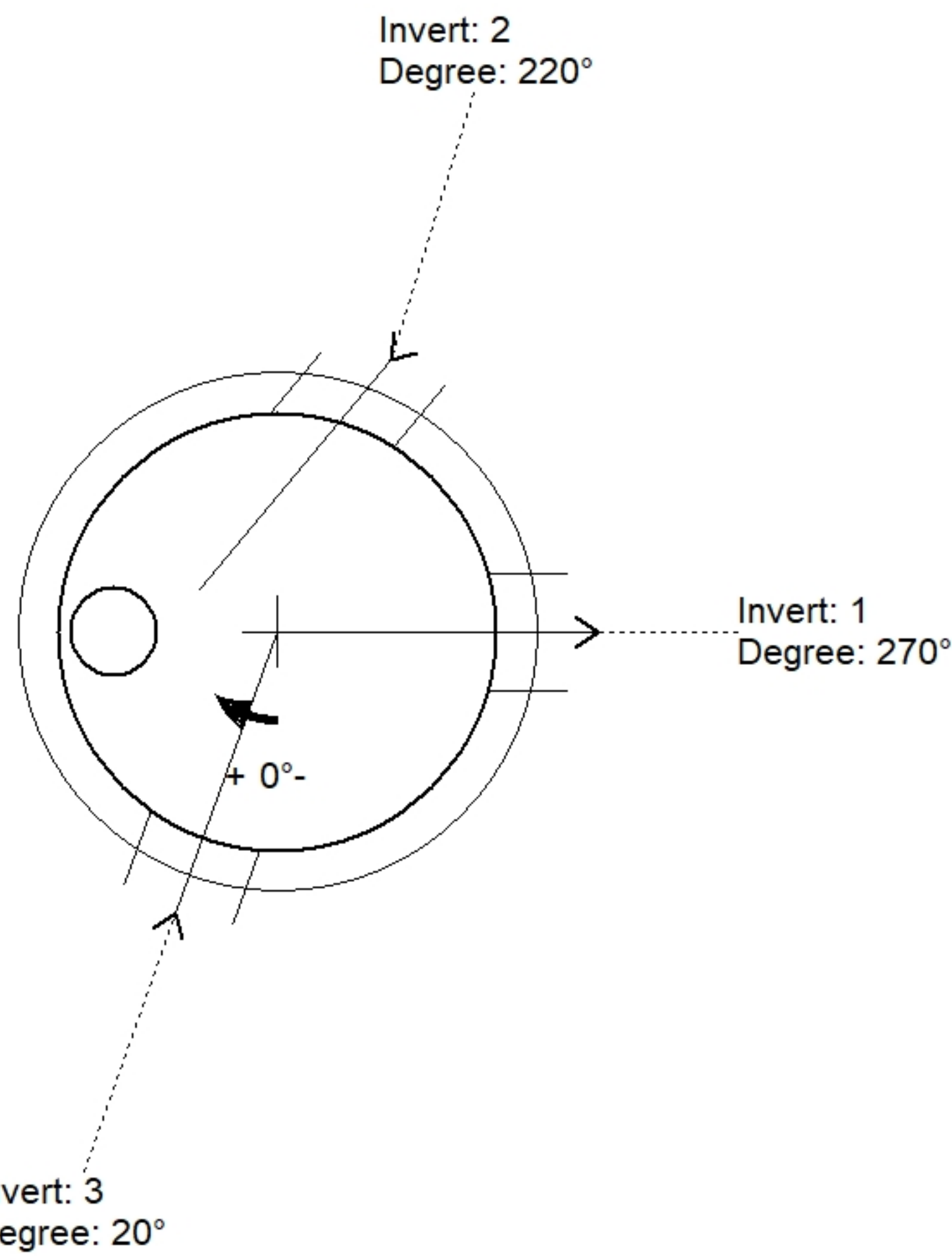
LIFTING ANCHORS TO BE INSTALLED  
 ON THE OUTSIDE OF THE STRUCTURE

ICAST TO INSTALL BRACKETS ONLY

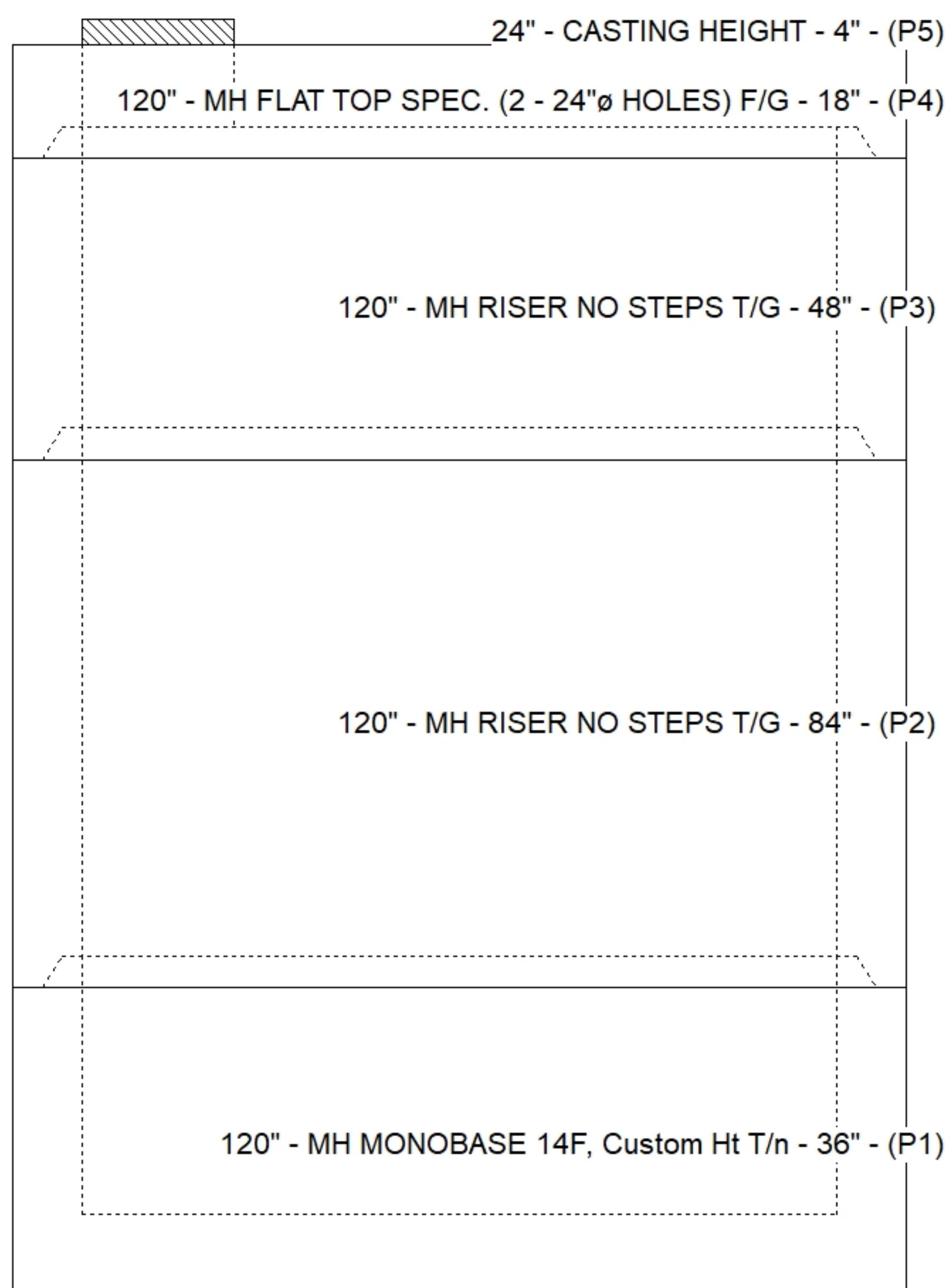
CONTECH'S LOGO AS WELL AS THE  
 INLET AND OUTLET MUST BE  
 STENCILED ONTO THE STRUCTURE

STRUCTURE SUMMARY:

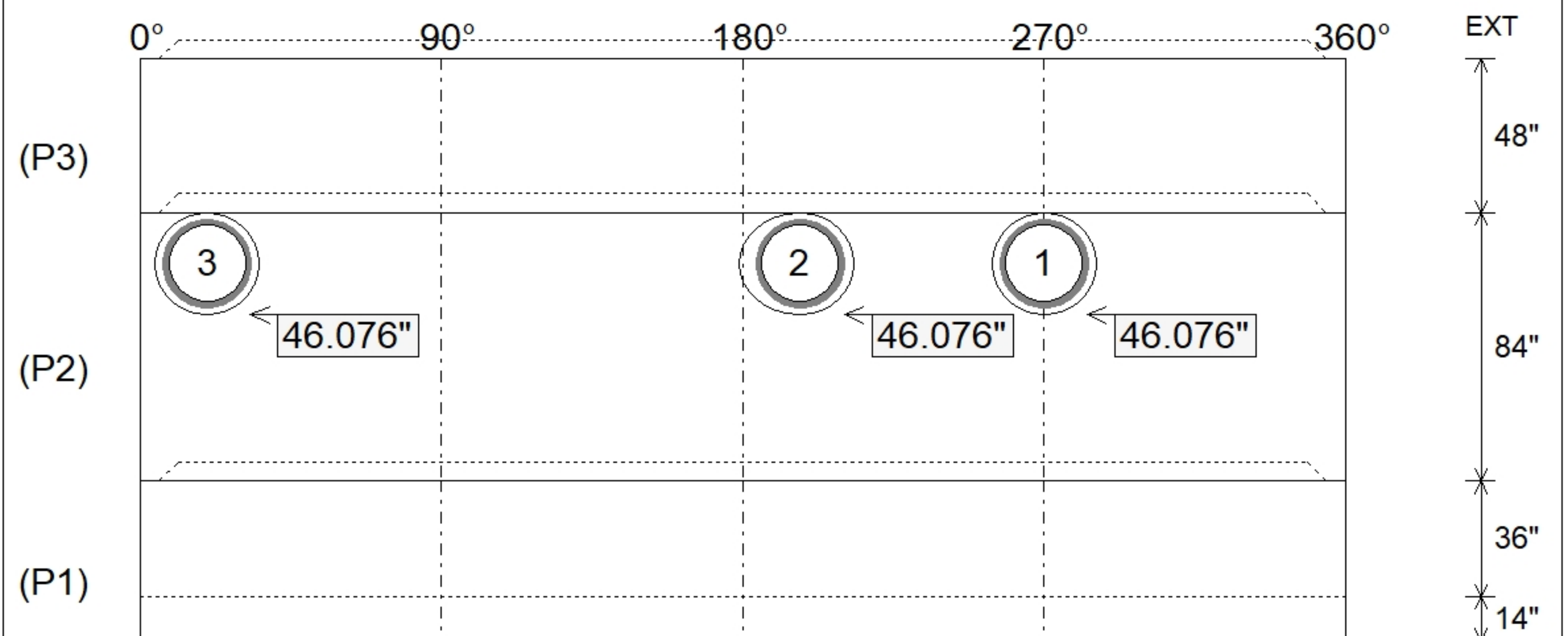
P5) 24" - CASTING HEIGHT - 4"	0 lb
P4) 120" - MH FLAT TOP SPEC. (2 - 24"Ø HOLES) F/G - 18"	16223 lb
P3) 120" - MH RISER NO STEPS T/G - 48"	18233 lb
P2) 120" - MH RISER NO STEPS T/G - 84"	29595 lb
P1) 120" - MH MONOBASE 14F, Custom Ht T/n - 36"	32280 lb
1) CVSTENCILING	0 lb
1) ASSEMBLY REQUIRED - BRACKETS ONLY	0 lb
3) 120" - Conseal CS-102 1.00"	0 lb
3) Hole - 32	0 lb
<b>Structure Total:</b>	<b>96331 lb</b>



Position	Elev	Angle	Pipe	Pipe OD	Hole	Connector	Up (")	Ref
Rim	869.35'							
Reducer								
Invert 1	860.25'	270°	24" HDPE	27.8"	32"	Hole 32	46.076"	P2
Invert 2	860.25'	220°	24" HDPE	27.8"	32"	Hole 32	46.076"	P2
Invert 3	860.25'	20°	24" HDPE	27.8"	32"	Hole 32	46.076"	P2
Invert 4								
Invert 5								
Invert 6								
Invert 7								
Invert 8								



Default - Interior Dimensions



Submittal Drawing  
 4/29/2026 1:35:35 PM

SUBMITTAL  
 APPROVED BY: