

Job Name: 26-2087 839373 Georgetown Commons  
 Job Location: Georgetown, KY  
 Contractor: Contech Engineering Solutions

Plant: Beaver Dam  
 4/28/2026 12:54:06 PM

Tech: S. Felletter  
 PC: C. Goff



**Structure ID: 80-CS-10**

**P3 MH120RS48**

**MH RISER NO STEPS T/G**

- P5) 24" - CASTING HEIGHT - 4"
- P4) 120" - MH FLAT TOP SPEC. (2 - 24"Ø HOLES) F/G - 18"
- P3) 120" - MH RISER NO STEPS T/G - 48"
- P2) 120" - MH RISER NO STEPS T/G - 84"
- P1) 120" - MH MONOBASE 14F, Custom Ht T/n - 36"
- 1) CVSTENCILING
- 1) ASSEMBLY REQUIRED - BRACKETS ONLY
- 3) 120" - Conseal CS-102 1.00"
- 3) Hole - 32

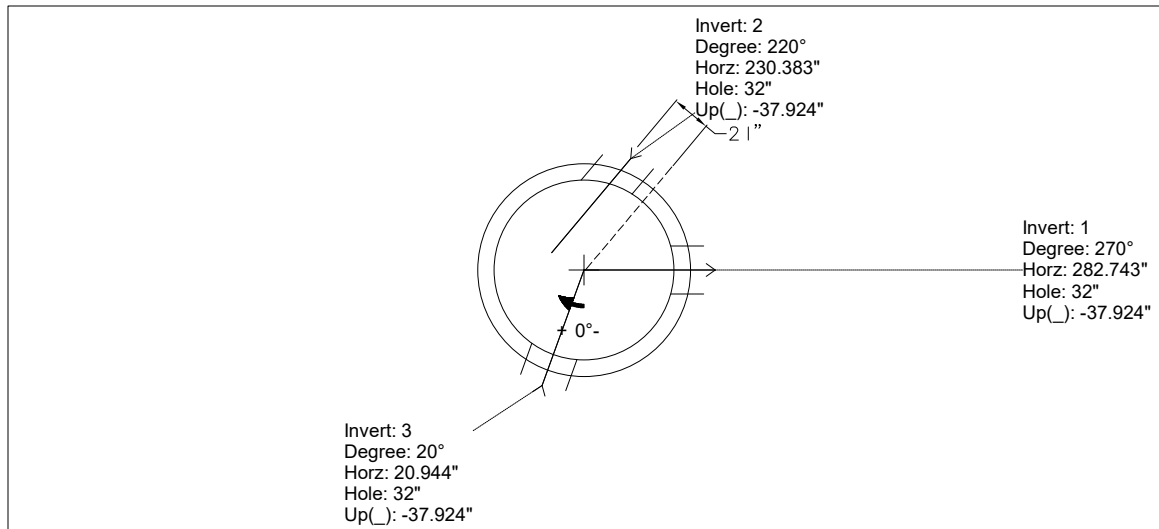
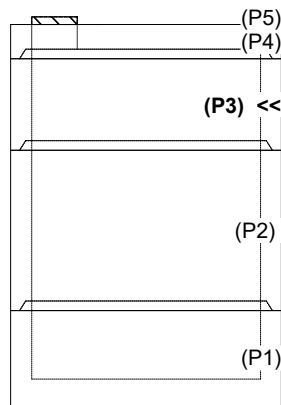
0 lb  
 16223 lb  
 18233 lb  
 29595 lb  
 32280 lb  
 0 lb  
 0 lb  
 0 lb  
 0 lb  
 -----  
 Structure Total: 96331 lb

Structure Notes:  
 4" CASTING BY OTHERS  
  
 LIFTING ANCHORS TO BE INSTALLED  
 ON THE OUTSIDE OF THE STRUCTURE  
  
 ICAST TO INSTALL BRACKETS ONLY  
  
 CONTECH'S LOGO AS WELL AS THE  
 INLET AND OUTLET MUST BE  
 STENCILED ONTO THE STRUCTURE

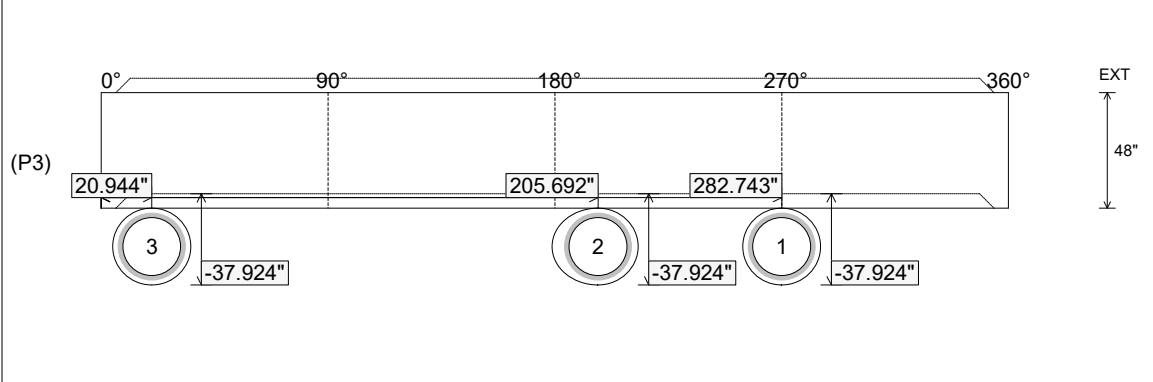
Rim: 869.35' Rim to Invert: 9.1' Slack: 11.276" Sump: 92.076" Step Position:

Position	Elev	Angle	Ext. (cw)	Pipe	Pipe OD	Connector	Hole	Horz Size	Up ( )	Offset
Invert 1	860.25'	270°	334.58"	24" HDPE	27.8"	Hole 32	32"	32.392"	-37.924"	0"
Invert 2	860.25'	220°	248.138"	24" HDPE	27.8"	Hole 32	32"	35.76"	-37.924"	-24"
Invert 3	860.25'	20°	24.784"	24" HDPE	27.8"	Hole 32	32"	32.392"	-37.924"	0"
Invert 4										
Invert 5										
Invert 6										
Invert 7										
Invert 8										

**RIGHT-SIDE UP VIEW (int. dimensions)**



**INSIDE WALL DIMENSIONS**



Coating (Int): Coating (Ext):	Seam Up: Tongue Seam Dn: Groove	Wall Thickness: 11" Floor Height: 0"	Height (Int): 48" Height (Ext): 48"	Weight (Net): 18233 lb Volume (Net): 4.66cu.yd
----------------------------------	------------------------------------	-----------------------------------------	----------------------------------------	---------------------------------------------------