

Structure ID: 80-CS-10

P1 MH120BVF

MH MONOBASE 14F, Custom Ht T/n

P5) 24" - CASTING HEIGHT - 4" P4) 120" - MH FLAT TOP SPEC. (2 - 24"Ø HOLES) F/G - 18" P3) 120" - MH RISER NO STEPS T/G - 48" P2) 120" - MH RISER NO STEPS T/G - 84" P1) 120" - MH MONOBASE 14F, Custom Ht T/n - 36" 1) CVSTENCILING 1) ASSEMBLY REQUIRED - BRACKETS ONLY 3) 120" - Conseal CS-102 1.00" 3) Hole - 32	0 lb 16223 lb 18233 lb 29595 lb 32280 lb 0 lb 0 lb 0 lb 0 lb 0 lb ----- Structure Total: 96331 lb
--	--

Structure Notes:
 4" CASTING BY OTHERS

LIFTING ANCHORS TO BE INSTALLED ON THE OUTSIDE OF THE STRUCTURE

ICAST TO INSTALL BRACKETS ONLY

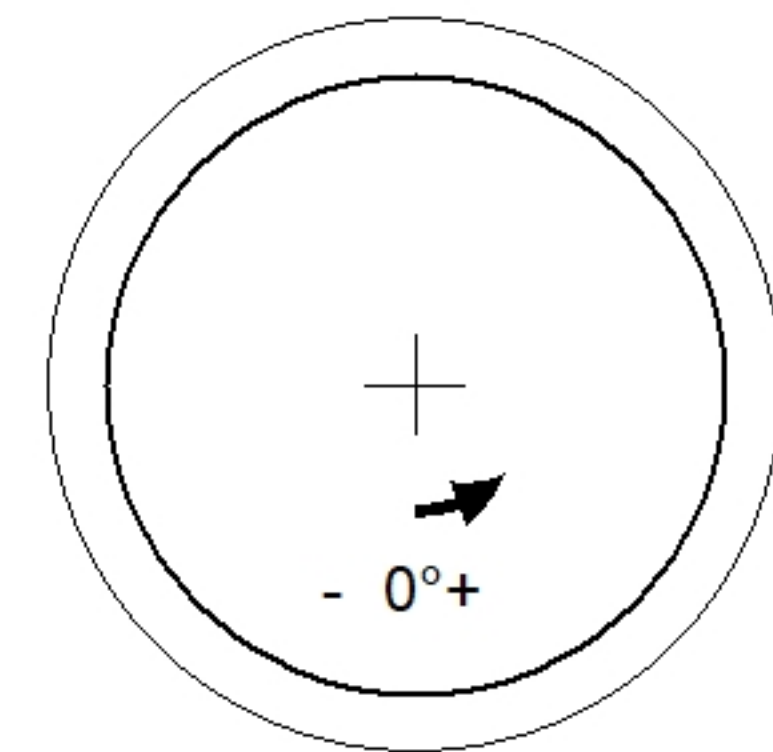
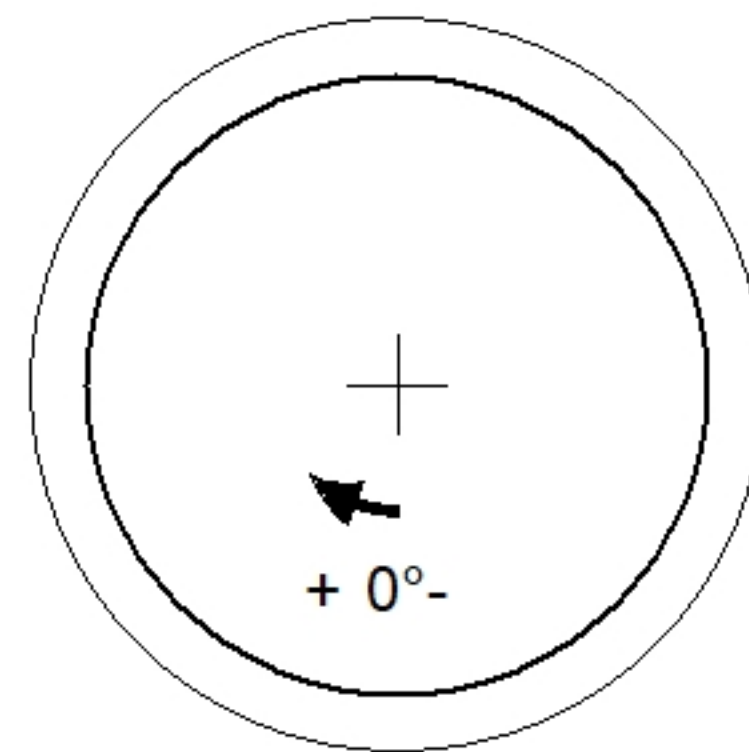
CONTECH'S LOGO AS WELL AS THE INLET AND OUTLET MUST BE STENCILED ONTO THE STRUCTURE

Rim: 869.35' Rim to Invert: 9.1' Slack: 11.276" Sump: 92.076" Step Position:

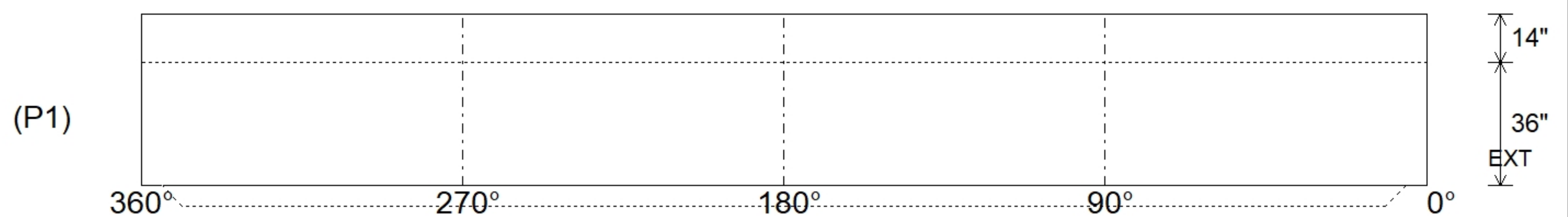
Position	Elev	Angle	Ext. (cw)	Pipe	Pipe OD	Connector	Hole	Horz Size	Up (L)	Offset
Invert 1										
Invert 2										
Invert 3										
Invert 4										
Invert 5										
Invert 6										
Invert 7										
Invert 8										

RIGHT-SIDE UP VIEW (int. dimensions)

UPSIDE-DOWN VIEW (int. dimensions)



INSIDE WALL DIMENSIONS



Coating (Int): Coating (Ext):	Seam Up: Tongue Seam Dn: n/a	Wall Thickness: 11" Floor Height: 14"	Height (Int): 36" Height (Ext): 50"	Weight (Net): 32280 lb Volume (Net): 8.24cu.yd
----------------------------------	---------------------------------	--	--	---