

Job Name: 26-2087 839373 Georgetown Commons
Job Location: Georgetown, KY
Contractor: Contech Engineering Solutions

PC: C. Goff
 TECH: S. Felletter
 Plant: Beaver Dam



Structure ID: **70-CS-8**
 Spec: Storm-Pipe Centered
 Type: STM.MH
 Size: 96"

Rim: 871.15'
 Invert: 861.1'
 Rim to Invert: 10.05'

Sump: 82.044"
 Floor (Top): 854.263"
 Floor Height: 13"

Floor (Bot): 853.18'
 Overall Height: 17.833'
 Slack: 1.644"

Structure Notes:
 4" CASTING BY OTHERS

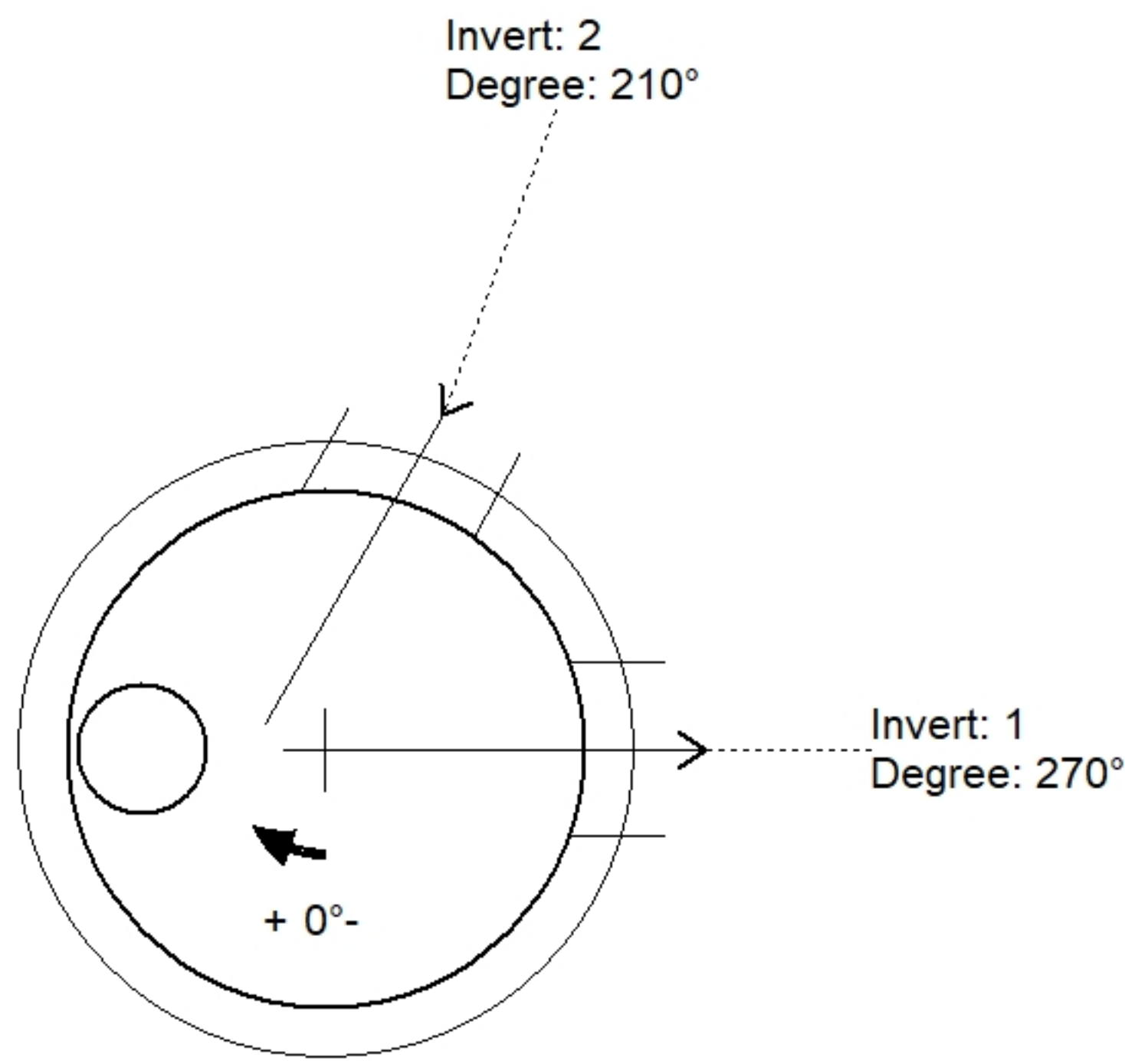
LIFTING ANCHORS TO BE INSTALLED
 ON THE OUTSIDE OF THE STRUCTURE

ICAST TO INSTALL THE INTERNALS

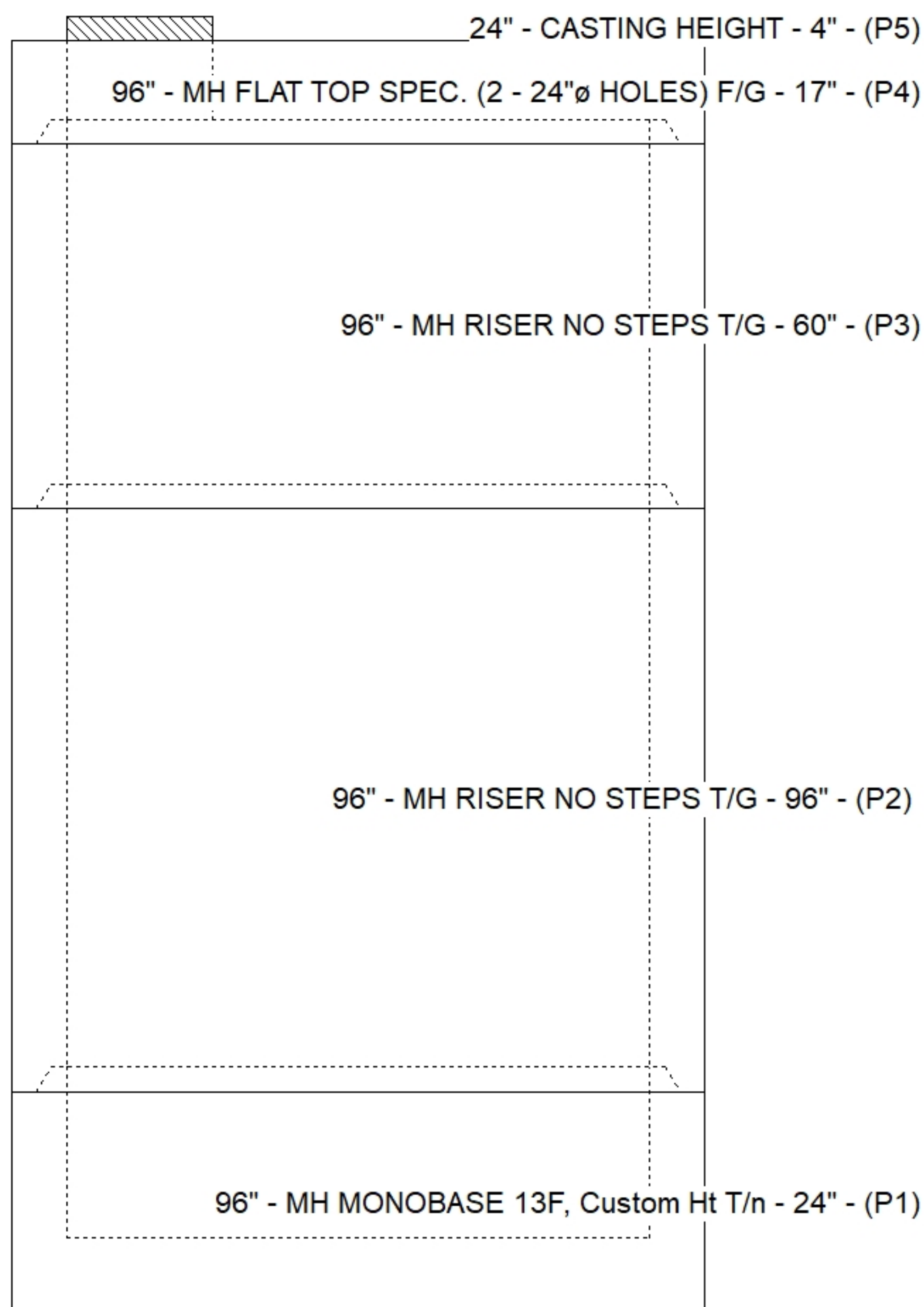
CONTECH'S LOGO AS WELL AS THE
 INLET AND OUTLET MUST BE
 STENCILED ONTO THE STRUCTURE

STRUCTURE SUMMARY:

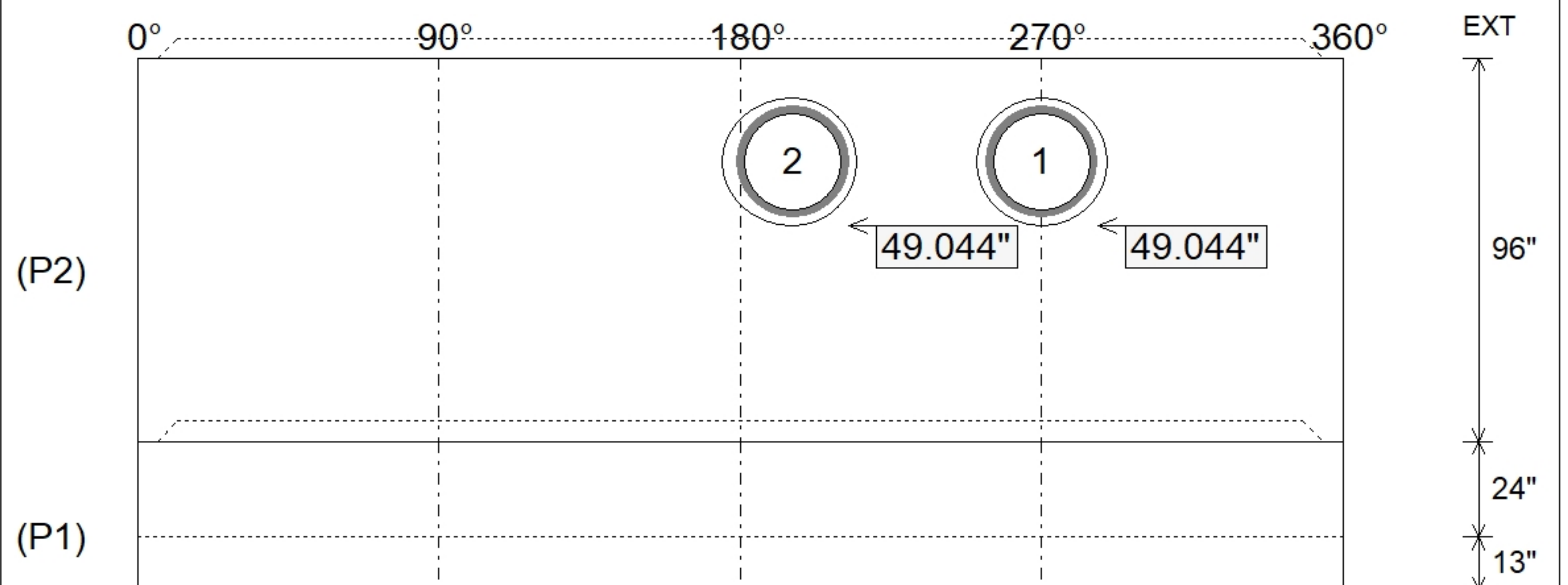
P5) 24" - CASTING HEIGHT - 4"	0 lb
P4) 96" - MH FLAT TOP SPEC. (2 - 24"Ø HOLES) F/G - 17"	10015 lb
P3) 96" - MH RISER NO STEPS T/G - 60"	14947 lb
P2) 96" - MH RISER NO STEPS T/G - 96"	22660 lb
P1) 96" - MH MONOBASE 13F, Custom Ht T/n - 24"	17113 lb
1) CVSTENCILING	0 lb
1) ASSEMBLY REQUIRED	0 lb
3) 96" - Conseal CS-102 1.00"	0 lb
2) Hole - 32	0 lb
Structure Total:	64736 lb



Position	Elev	Angle	Pipe	Pipe OD	Hole	Connector	Up (')	Ref
Rim	871.15'							
Reducer								
Invert 1	861.1'	270°	24" HDPE	27.8"	32"	Hole 32	49.044"	P2
Invert 2	861.1'	210°	24" HDPE	27.8"	32"	Hole 32	49.044"	P2
Invert 3								
Invert 4								
Invert 5								
Invert 6								
Invert 7								
Invert 8								



Default - Interior Dimensions



Submittal Drawing
 4/28/2026 1:14:51 PM

SUBMITTAL
 APPROVED BY: