

Job Name: 26-2087 839373 Georgetown Commons	Plant: Beaver Dam	Tech: S. Felletter	
Job Location: Georgetown, KY	4/28/2026 1:15:03 PM	PC: C. Goff	
Contractor: Contech Engineering Solutions			

Structure ID: 70-CS-8

P1 MH096BAVF

MH MONOBASE 13F, Custom Ht T/n

P5) 24" - CASTING HEIGHT - 4"	0 lb
P4) 96" - MH FLAT TOP SPEC. (2 - 24"Ø HOLES) F/G - 17"	10015 lb
P3) 96" - MH RISER NO STEPS T/G - 60"	14947 lb
P2) 96" - MH RISER NO STEPS T/G - 96"	22660 lb
P1) 96" - MH MONOBASE 13F, Custom Ht T/n - 24"	17113 lb
1) CVSTENCILING	0 lb
1) ASSEMBLY REQUIRED	0 lb
3) 96" - Conseal CS-102 1.00"	0 lb
2) Hole - 32	0 lb
Structure Total:	64736 lb

Structure Notes:
 4" CASTING BY OTHERS

LIFTING ANCHORS TO BE INSTALLED ON THE OUTSIDE OF THE STRUCTURE

ICAST TO INSTALL THE INTERNALS

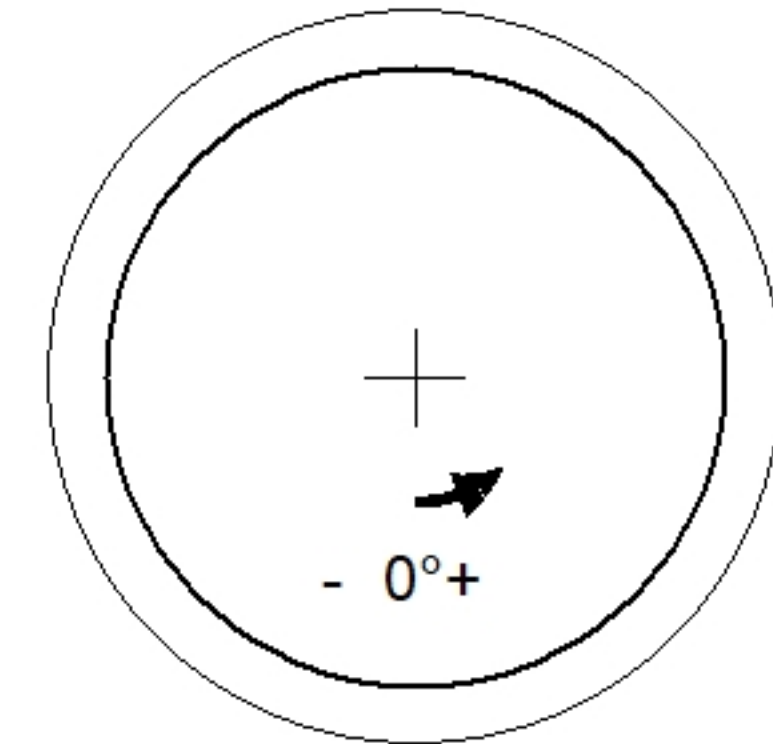
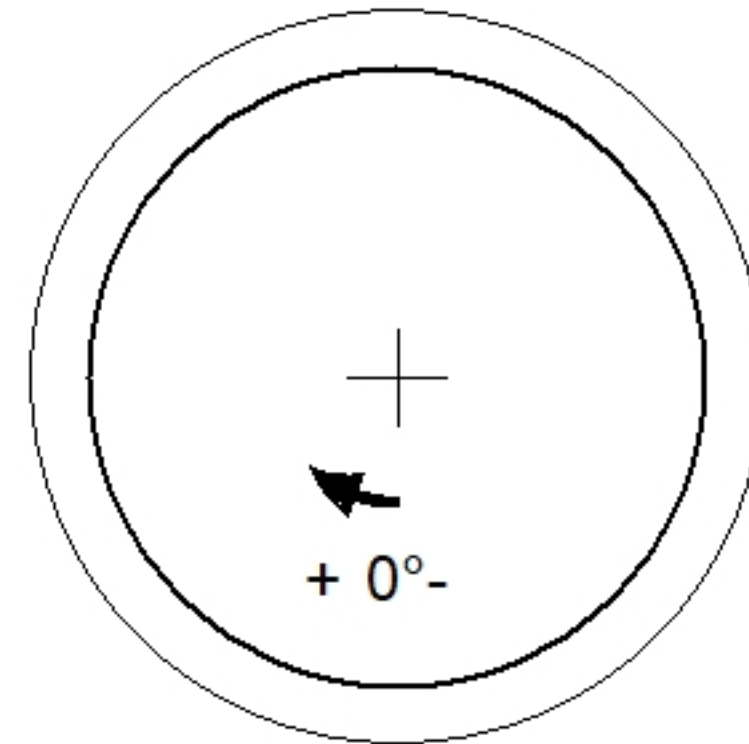
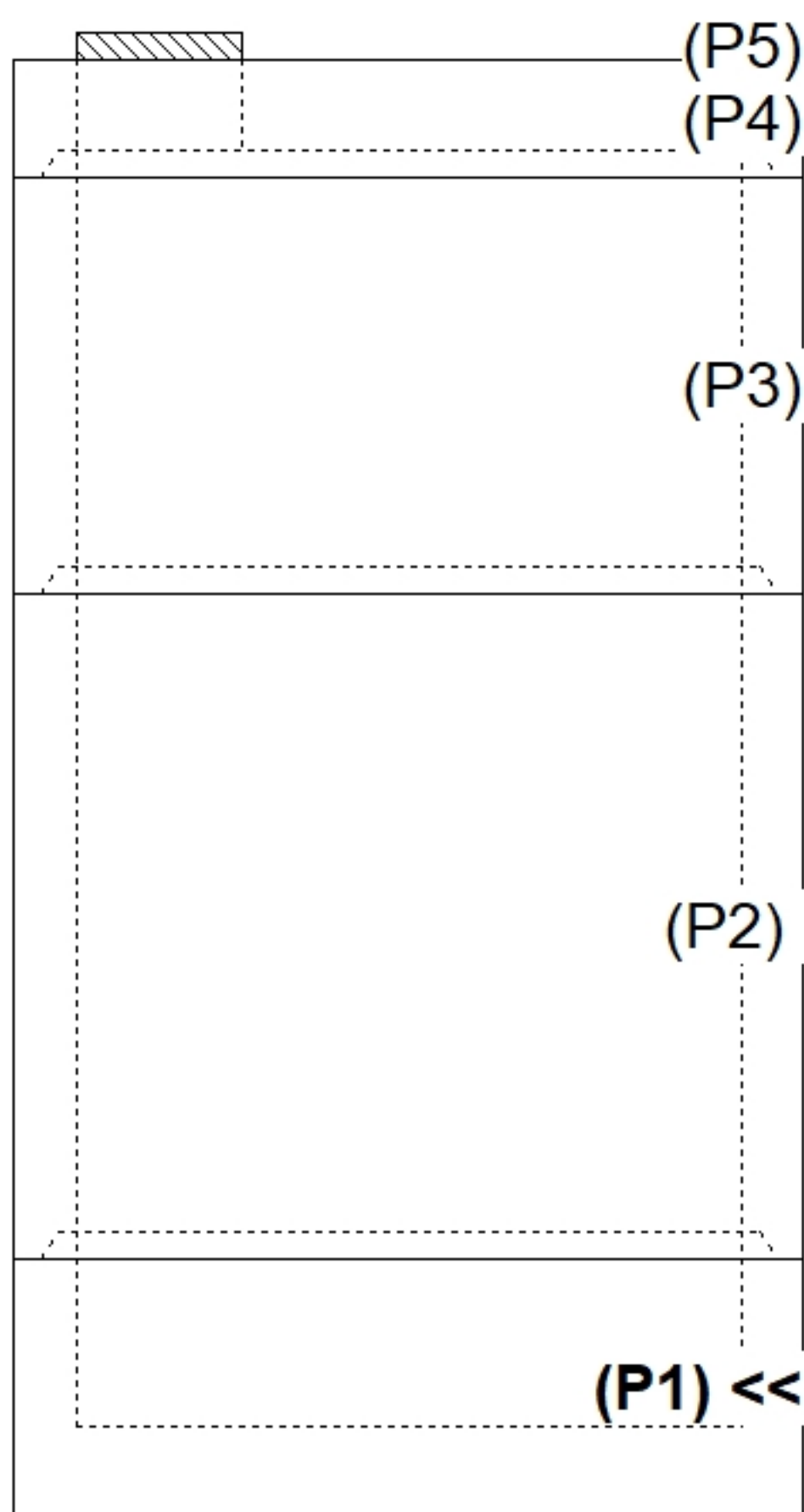
CONTECH'S LOGO AS WELL AS THE INLET AND OUTLET MUST BE STENCILED ONTO THE STRUCTURE

Rim: 871.15' Rim to Invert: 10.05' Slack: 1.644" Sump: 82.044" Step Position:

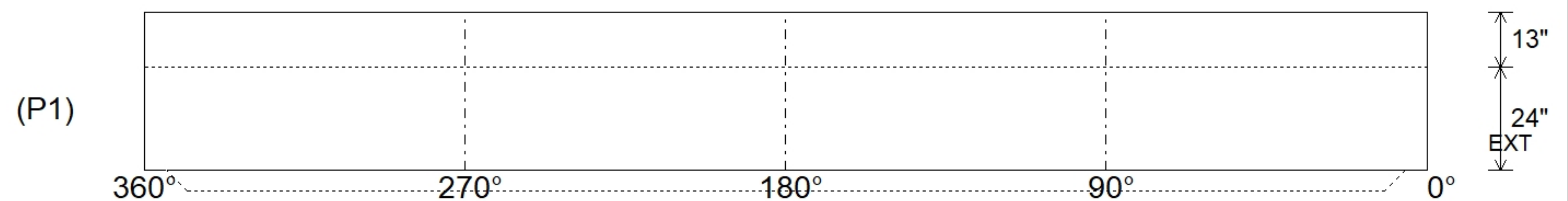
Position	Elev	Angle	Ext. (cw)	Pipe	Pipe OD	Connector	Hole	Horz Size	Up (L)	Offset
Invert 1										
Invert 2										
Invert 3										
Invert 4										
Invert 5										
Invert 6										
Invert 7										
Invert 8										

RIGHT-SIDE UP VIEW (int. dimensions)

UPSIDE-DOWN VIEW (int. dimensions)



INSIDE WALL DIMENSIONS



Coating (Int):	Seam Up: Tongue	Wall Thickness: 9"	Height (Int): 24"	Weight (Net): 17113 lb
Coating (Ext):	Seam Dn: n/a	Floor Height: 13"	Height (Ext): 37"	Volume (Net): 4.37cu.yd