

Job Name: 26-2087 839373 Georgetown Commons
Job Location: Georgetown, KY
Contractor: Contech Engineering Solutions

PC: C. Goff
 TECH: S. Felletter
 Plant: Beaver Dam



Structure ID: **25-CS-10**

Spec: Storm-Pipe Centered
 Type: STM.MH
 Size: 120"

Rim: 871.4'
 Invert: 861.1'
 Rim to Invert: 10.3'

Sump: 92.076"
 Floor (Top): 853.427"
 Floor Height: 14"

Floor (Bot): 852.26'
 Overall Height: 19'
 Slack: 1.676"

Structure Notes:
 4" CASTING BY OTHERS

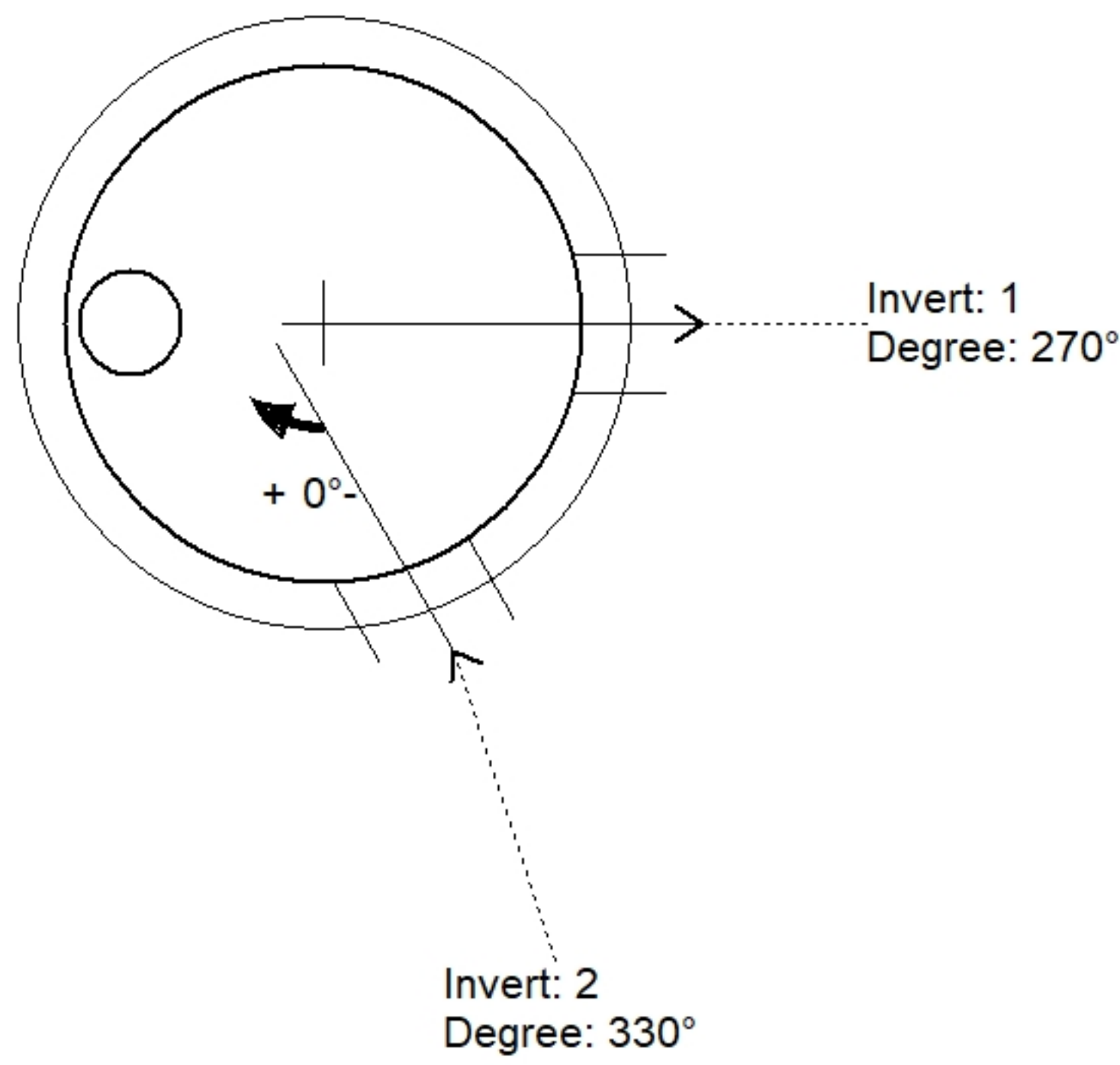
LIFTING ANCHORS TO BE INSTALLED ON THE OUTSIDE OF THE STRUCTURE

ICAST TO INSTALL BRACKETS ONLY

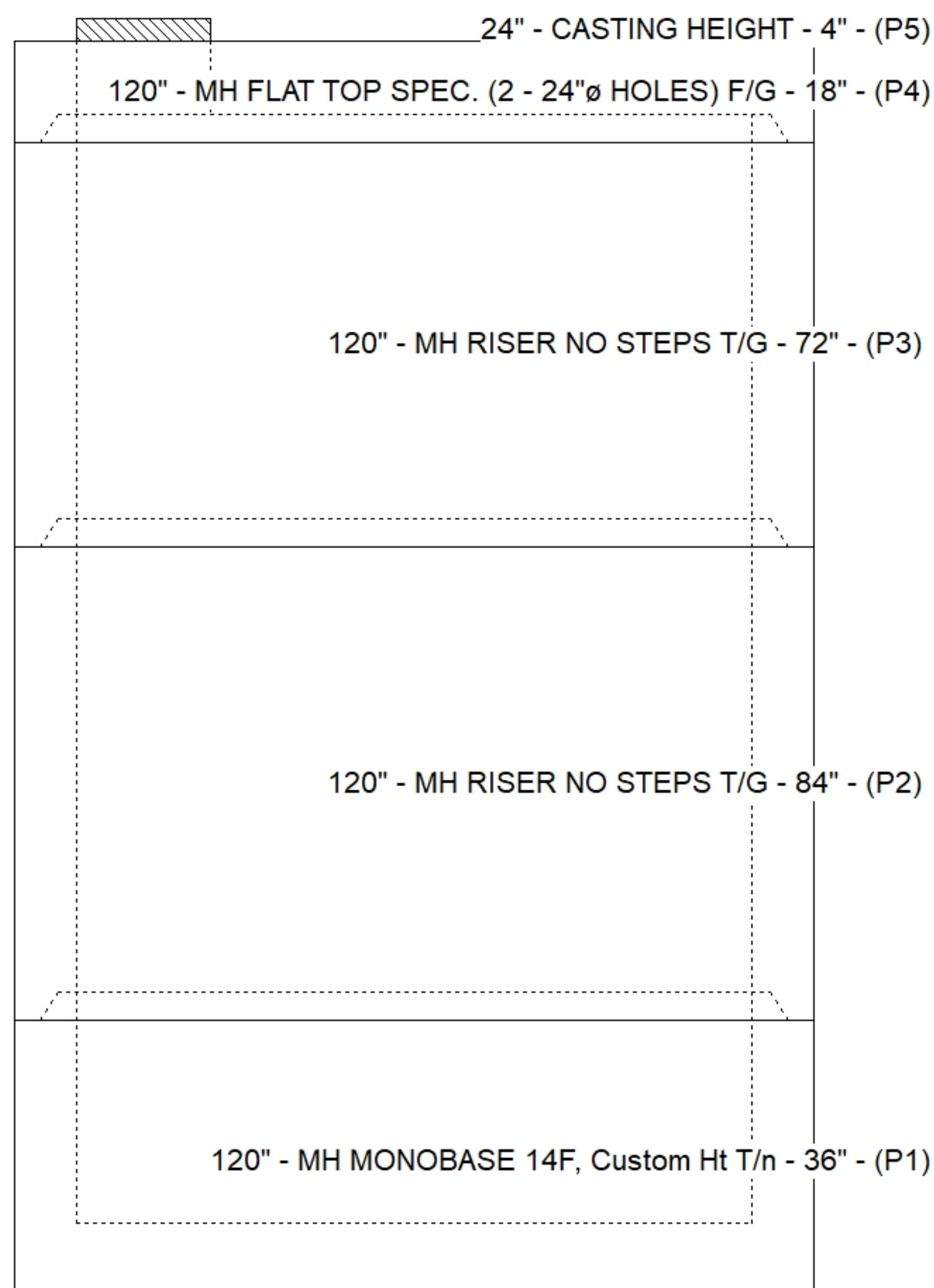
CONTECH'S LOGO AS WELL AS THE INLET AND OUTLET MUST BE STENCILED ONTO THE STRUCTURE

STRUCTURE SUMMARY:

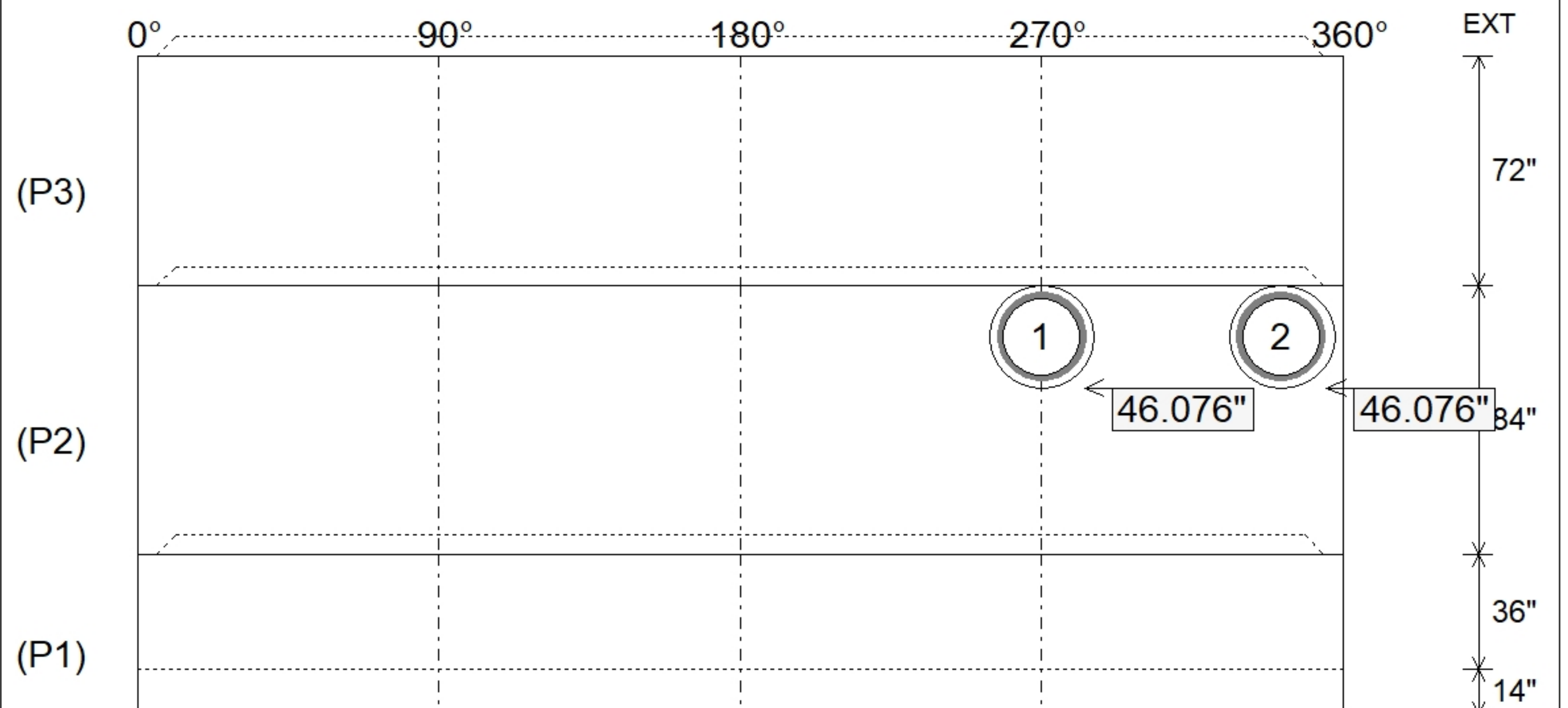
| | |
|---|------------------|
| P5) 24" - CASTING HEIGHT - 4" | 0 lb |
| P4) 120" - MH FLAT TOP SPEC. (2 - 24"Ø HOLES) F/G - 18" | 16223 lb |
| P3) 120" - MH RISER NO STEPS T/G - 72" | 27351 lb |
| P2) 120" - MH RISER NO STEPS T/G - 84" | 30395 lb |
| P1) 120" - MH MONOBASE 14F, Custom Ht T/n - 36" | 32280 lb |
| 1) CVSTENCILING | 0 lb |
| 1) ASSEMBLY REQUIRED - BRACKETS ONLY | 0 lb |
| 3) 120" - Conseal CS-102 1.00" | 0 lb |
| 2) Hole - 32 | 0 lb |
| Structure Total: | 106248 lb |



| Position | Elev | Angle | Pipe | Pipe OD | Hole | Connector | Up (') | Ref |
|----------|--------|-------|----------|---------|------|-----------|---------|-----|
| Rim | 871.4' | | | | | | | |
| Reducer | | | | | | | | |
| Invert 1 | 861.1' | 270° | 24" HDPE | 27.8" | 32" | Hole 32 | 46.076" | P2 |
| Invert 2 | 861.1' | 330° | 24" HDPE | 27.8" | 32" | Hole 32 | 46.076" | P2 |
| Invert 3 | | | | | | | | |
| Invert 4 | | | | | | | | |
| Invert 5 | | | | | | | | |
| Invert 6 | | | | | | | | |
| Invert 7 | | | | | | | | |
| Invert 8 | | | | | | | | |



Default - Interior Dimensions



Submittal Drawing
 4/28/2026 1:14:52 PM

SUBMITTAL
 APPROVED BY: