

Structure ID: 10-CS-10

P1 MH120BVF

MH MONOBASE 14F, Custom Ht T/n

P5) 24" - CASTING HEIGHT - 4" P4) 120" - MH FLAT TOP SPEC. (2 - 24"Ø HOLES) F/G - 18" P3) 120" - MH RISER NO STEPS T/G - 36" P2) 120" - MH RISER NO STEPS T/G - 84" P1) 120" - MH MONOBASE 14F, Custom Ht T/n - 48" 1) CVSTENCILING 1) ASSEMBLY REQUIRED - BRACKETS ONLY 3) 120" - Conseal CS-102 1.00" 2) Hole - 32	0 lb 16223 lb 13675 lb 30395 lb 36838 lb 0 lb 0 lb 0 lb 0 lb ----- 97131 lb	Structure Notes: 4" CASTING BY OTHERS LIFTING ANCHORS TO BE INSTALLED ON THE OUTSIDE OF THE STRUCTURE ICAST TO INSTALL BRACKETS ONLY CONTECH'S LOGO AS WELL AS THE INLET AND OUTLET MUST BE STENCILED ONTO THE STRUCTURE
--	---	---

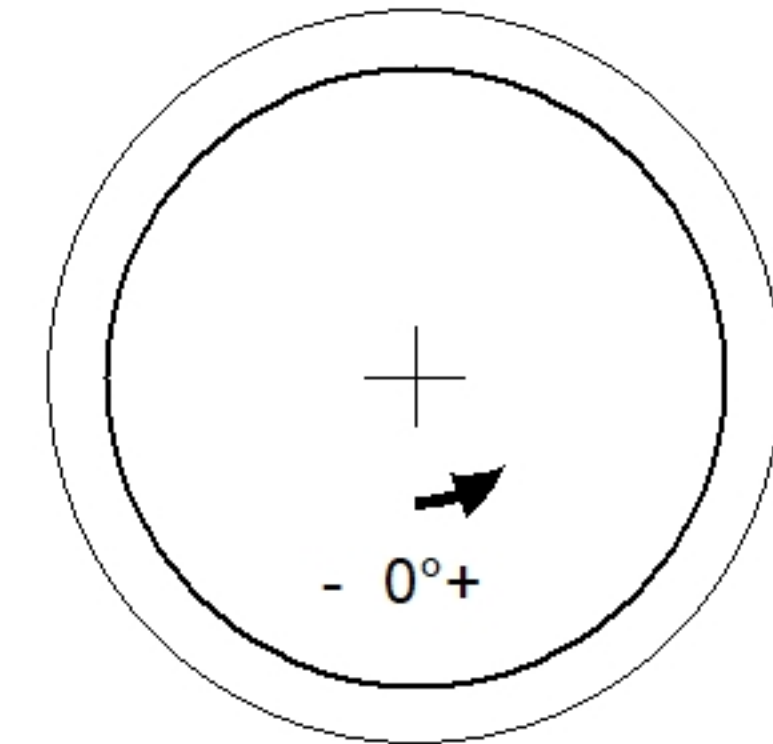
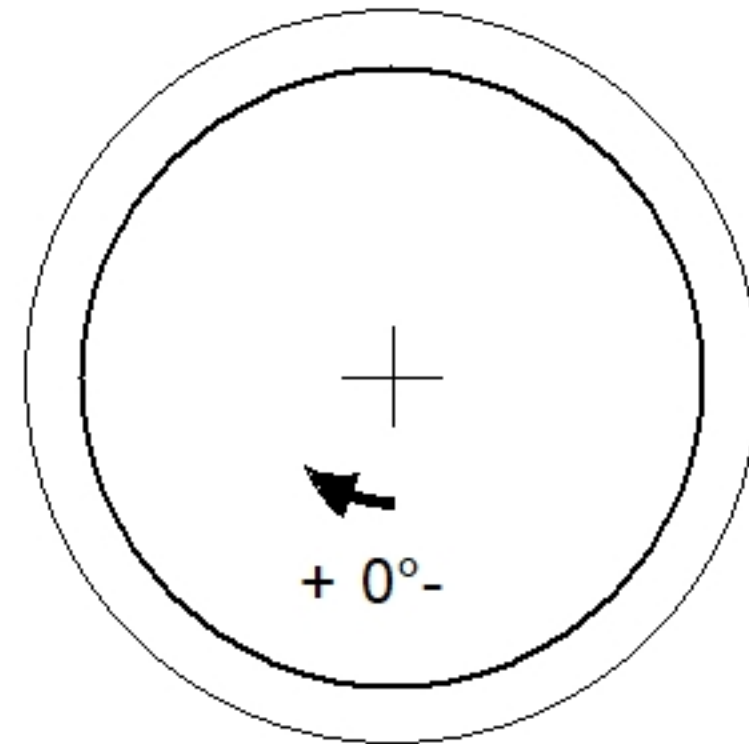
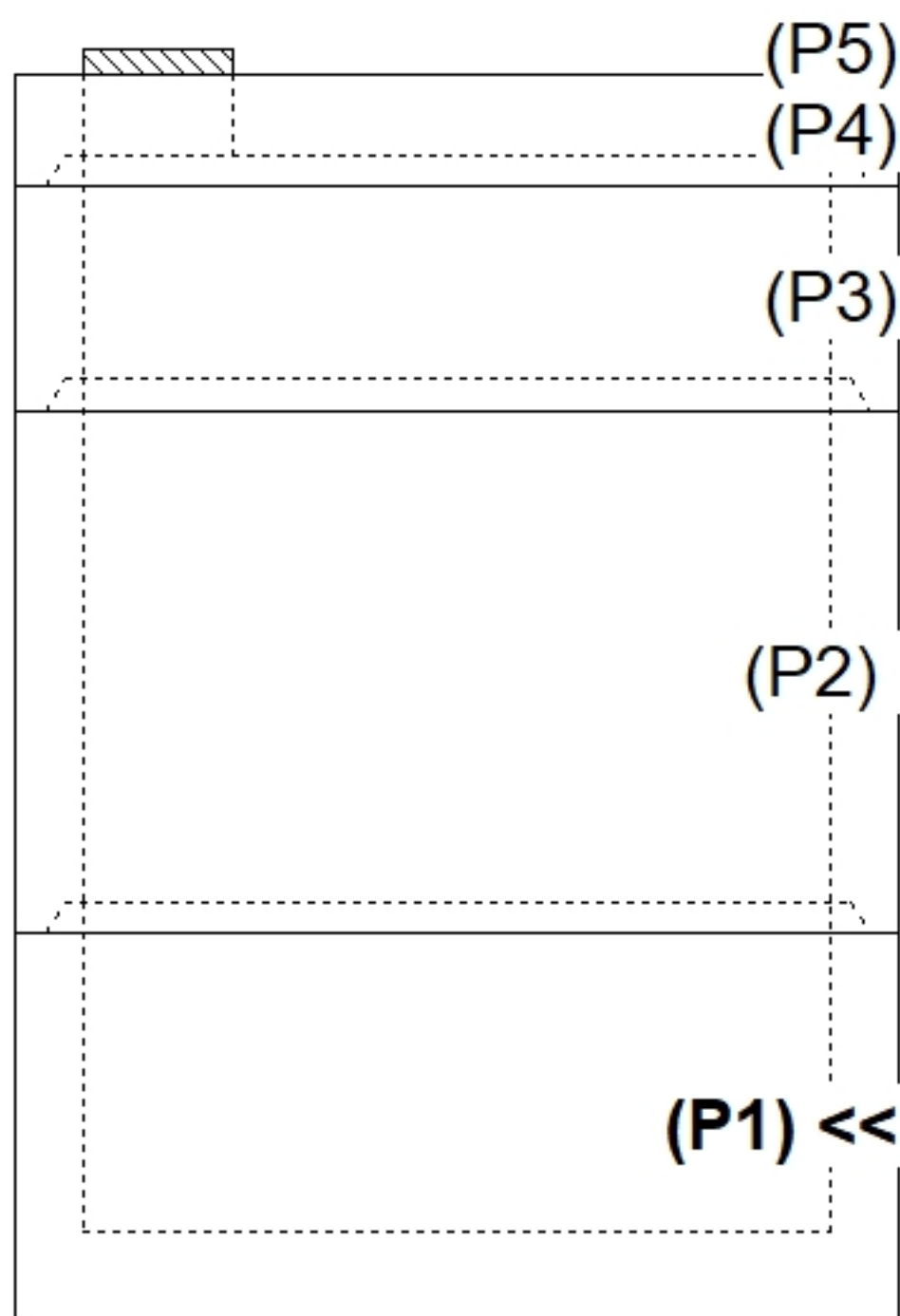
Structure Total: 97131 lb

Rim: 867.8' Rim to Invert: 8.73' Slack: 6.836" Sump: 92.076" Step Position:

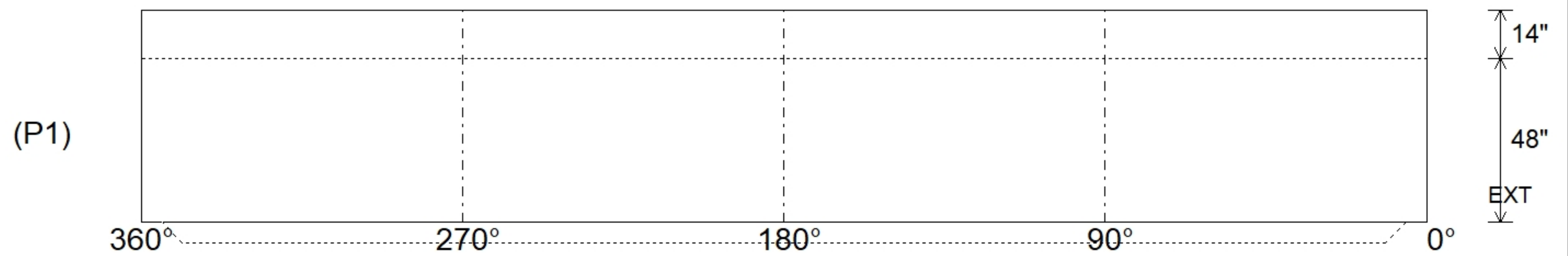
Position	Elev	Angle	Ext. (cw)	Pipe	Pipe OD	Connector	Hole	Horz Size	Up ()	Offset
Invert 1										
Invert 2										
Invert 3										
Invert 4										
Invert 5										
Invert 6										
Invert 7										
Invert 8										

RIGHT-SIDE UP VIEW (int. dimensions)

UPSIDE-DOWN VIEW (int. dimensions)



INSIDE WALL DIMENSIONS



Coating (Int):	Seam Up: Tongue	Wall Thickness: 11"	Height (Int): 48"	Weight (Net): 36838 lb
Coating (Ext):	Seam Dn: n/a	Floor Height: 14"	Height (Ext): 62"	Volume (Net): 9.41cu.yd