

**Job Name: 26-2037 830068 Marketplace**  
**Job Location: Georgetown, KY**  
**Contractor: Contech Engineering Solutions**

PC: S. Goff  
 TECH: S. Felletter  
 Plant: Beaver Dam



Structure ID: **30-CS-10**  
 Spec: Storm-Pipe Centered  
 Type: STM.MH  
 Size: 120"

Rim: 834.9'  
 Invert: 821.5'  
 Rim to Invert: 13.4'

Sump: 92.076"  
 Floor (Top): 813.827"  
 Floor Height: 14"

Floor (Bot): 812.66'  
 Overall Height: 21.5'  
 Slack: 8.876"

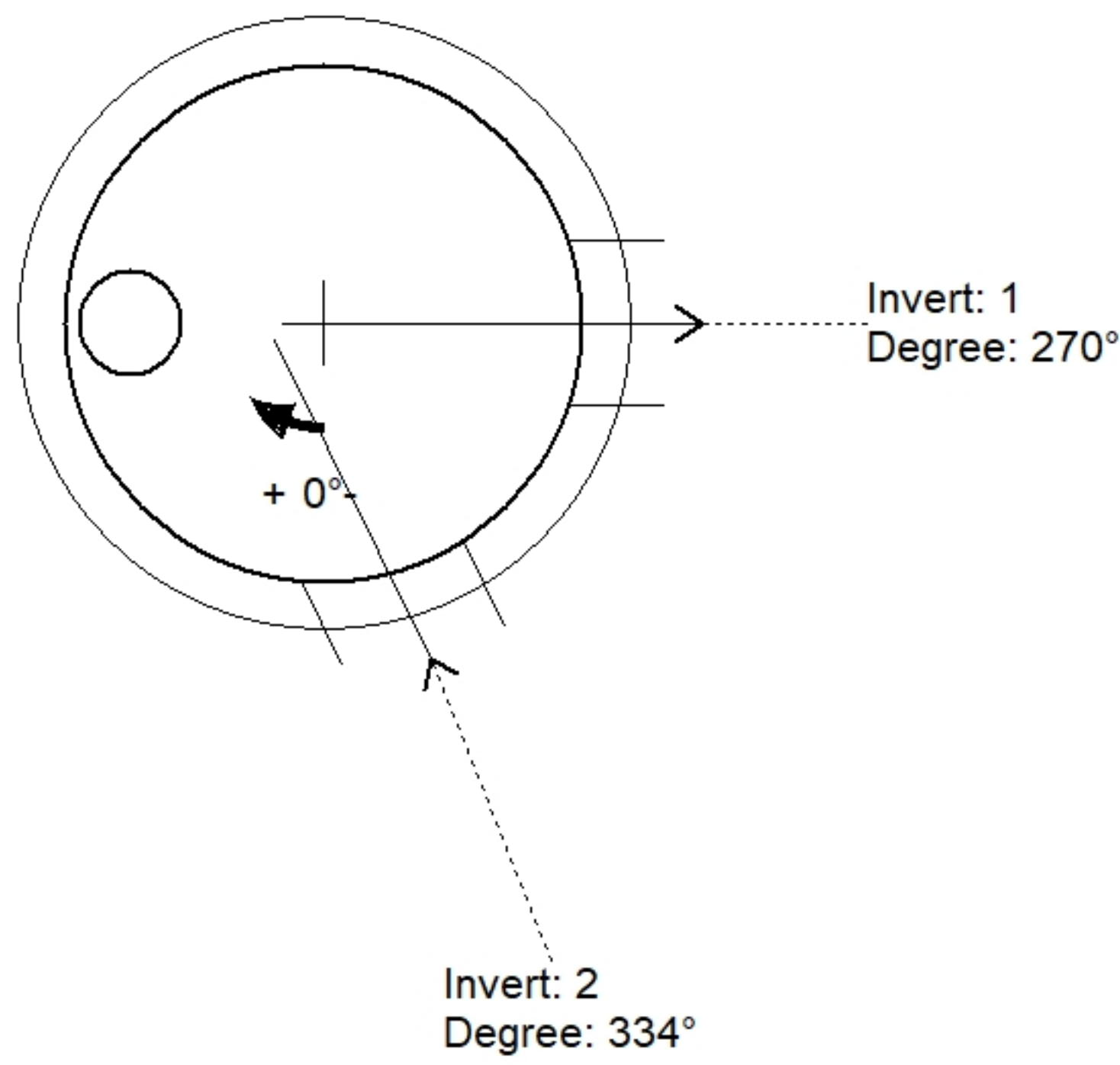
Structure Notes:  
 4" CASTING BY OTHERS

ICAST TO INSTALL THE INTERNAL BRACKETS,  
 INTERNAL COMPONENTS TO BE INSTALLED ON  
 SITE BY CONTECH FIELD CONSULTANT

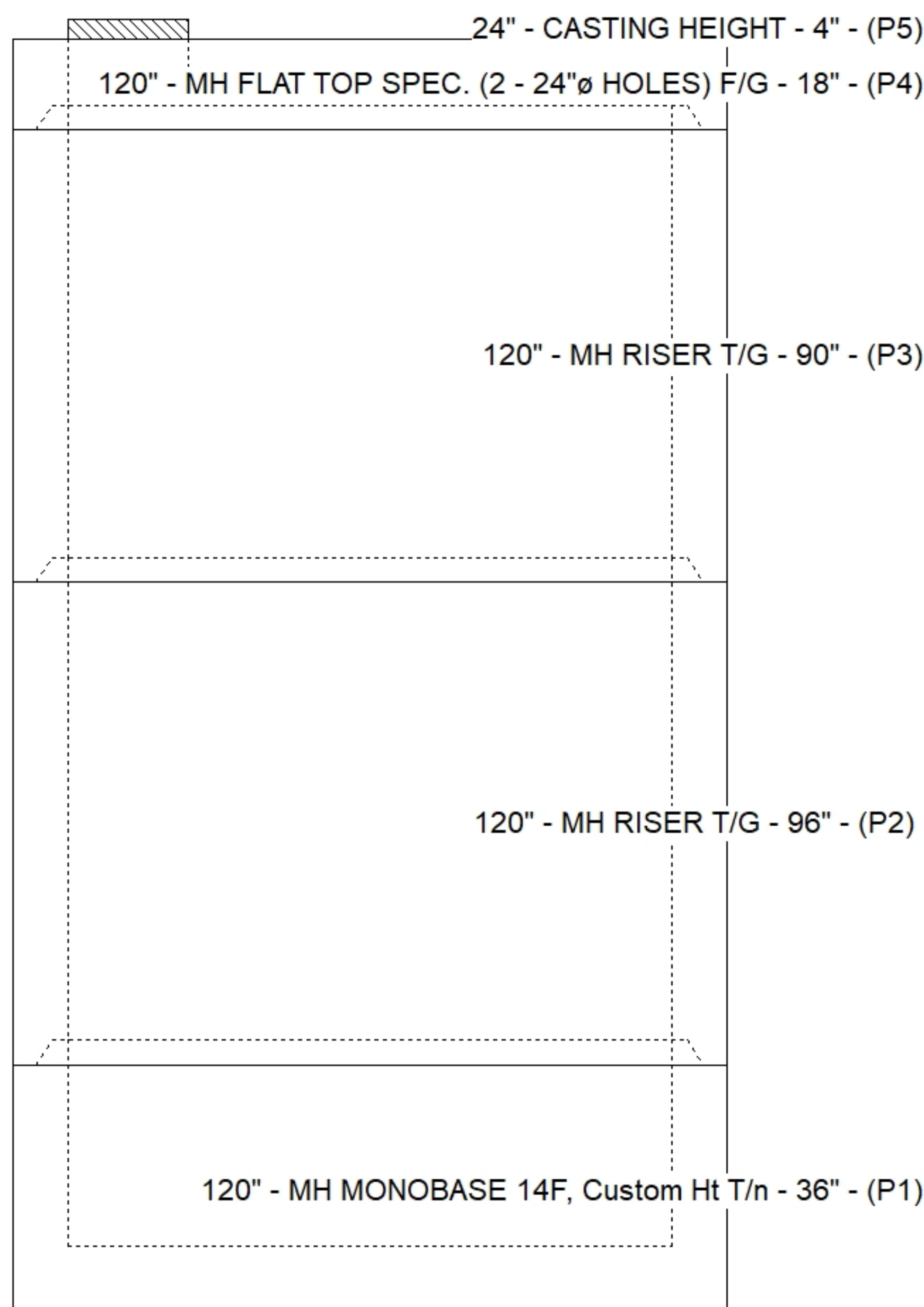
CONTECH'S LOGO AS WELL AS THE  
 INLET AND OUTLET MUST BE  
 STENCILED ONTO THE STRUCTURE

STRUCTURE SUMMARY:

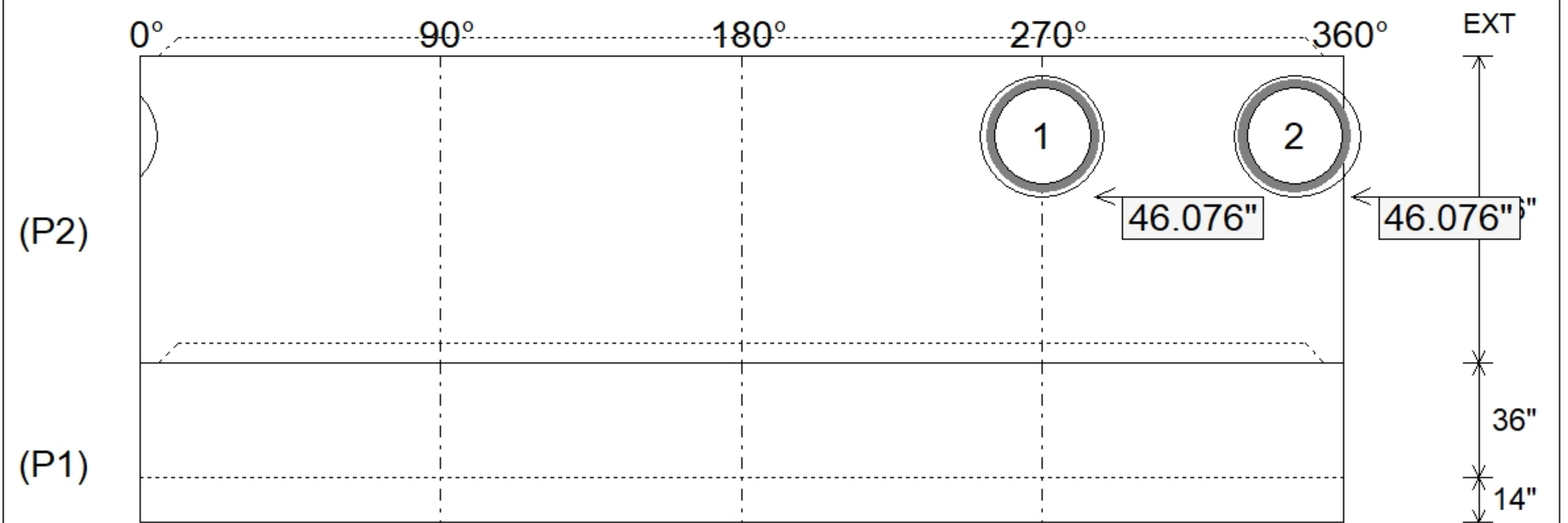
P5) 24" - CASTING HEIGHT - 4"	0 lb
P4) 120" - MH FLAT TOP SPEC. (2 - 24"Ø HOLES) F/G - 18"	16223 lb
P3) 120" - MH RISER T/G - 90"	34189 lb
P2) 120" - MH RISER T/G - 96"	34322 lb
P1) 120" - MH MONOBASE 14F, Custom Ht T/n - 36"	32280 lb
1) CVSTENCILING	0 lb
1) ASSEMBLY REQUIRED - BRACKETS ONLY	0 lb
3) 120" - Conseal CS-102 1.00"	0 lb
2) Hole - 38	0 lb
	-----
Structure Total:	117013 lb



Position	Elev	Angle	Pipe	Pipe OD	Hole	Connector	Up (')	Ref
Rim	834.9'							
Reducer								
Invert 1	821.5'	270°	30" HDPE	35.1"	38"	Hole 38	46.076"	P2
Invert 2	821.5'	334°	30" HDPE	35.1"	38"	Hole 38	46.076"	P2
Invert 3								
Invert 4								
Invert 5								
Invert 6								
Invert 7								
Invert 8								



Default - Interior Dimensions



Submittal Drawing  
 4/24/2026 2:06:13 PM

SUBMITTAL  
 APPROVED BY: