

Job Name: 26-2037 830068 Marketplace  
 Job Location: Georgetown, KY  
 Contractor: Contech Engineering Solutions

Plant: Beaver Dam  
 4/23/2026 11:53:55 AM

Tech: S. Felletter  
 PC: S. Goff



**Structure ID: 30-CS-10**

**P2 MH120RS96**

**MH RISER T/G**

- P5) 24" - CASTING HEIGHT - 4"
- P4) 120" - MH FLAT TOP SPEC. (2 - 24"Ø HOLES) F/G - 18"
- P3) 120" - MH RISER T/G - 90"
- P2) 120" - MH RISER T/G - 96"
- P1) 120" - MH MONOBASE 14F, Custom Ht T/n - 36"
- 1) CVSTENCILING
- 1) ASSEMBLY REQUIRED - BRACKETS ONLY
- 3) 120" - Conseal CS-102 1.00"
- 2) Hole - 38

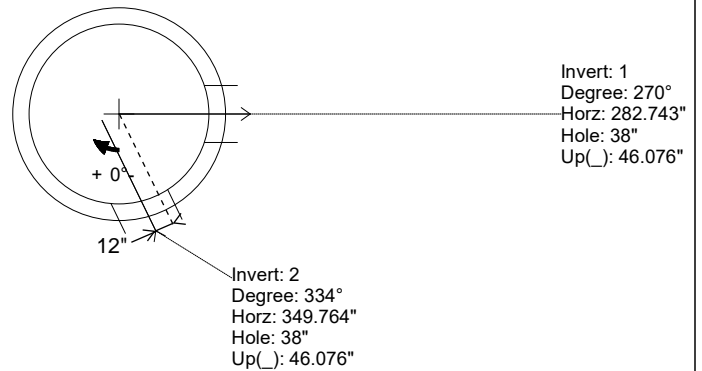
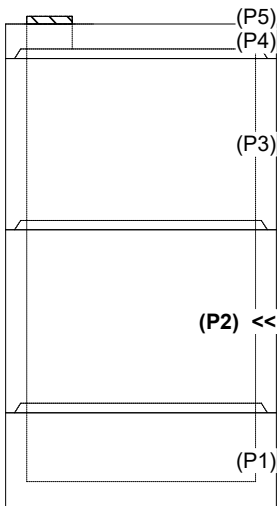
0 lb  
 16223 lb  
 34189 lb  
 34322 lb  
 32280 lb  
 0 lb  
 0 lb  
 0 lb  
 0 lb  
 0 lb  
 -----  
 Structure Total: 117013 lb

**Structure Notes:**  
 4" CASTING BY OTHERS  
 ICAST TO INSTALL THE INTERNAL BRACKETS,  
 INTERNAL COMPONENTS TO BE INSTALLED ON  
 SITE BY CONTECH FIELD CONSULTANT  
 CONTECH'S LOGO AS WELL AS THE  
 INLET AND OUTLET MUST BE  
 STENCILED ONTO THE STRUCTURE

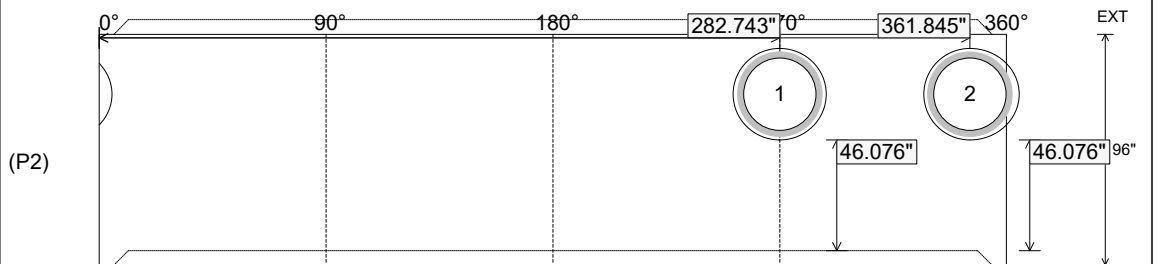
Rim: 834.9' Rim to Invert: 13.4' Slack: 8.876" Sump: 92.076" Step Position:

Position	Elev	Angle	Ext. (cw)	Pipe	Pipe OD	Connector	Hole	Horz Size	Up ( )	Offset
Invert 1	821.5'	270°	334.58"	30" HDPE	35.1"	Hole 38	38"	38.666"	46.076"	0"
Invert 2	821.5'	334°	425.945"	30" HDPE	35.1"	Hole 38	38"	39.593"	46.076"	12"
Invert 3										
Invert 4										
Invert 5										
Invert 6										
Invert 7										
Invert 8										

**RIGHT-SIDE UP VIEW (int. dimensions)**



**INSIDE WALL DIMENSIONS**



Coating (Int):  
 Coating (Ext):

Seam Up: Tongue  
 Seam Dn: Groove

Wall Thickness: 11"  
 Floor Height: 0"

Height (Int): 96"  
 Height (Ext): 96"

Weight (Net): 34322 lb  
 Volume (Net): 8.77cu.yd