

Structure ID: 30-CS-10

P1 MH120BVF

MH MONOBASE 14F, Custom Ht T/n

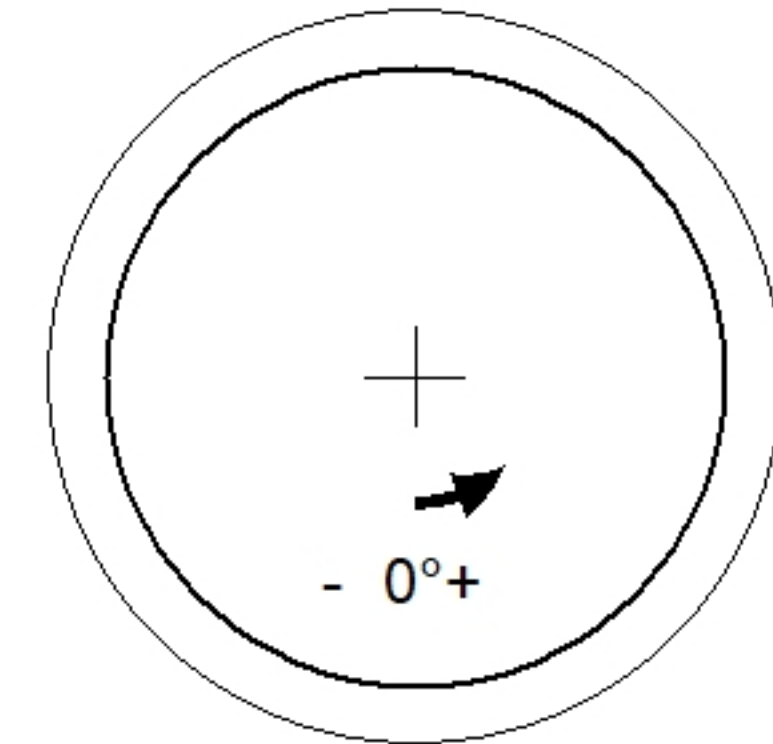
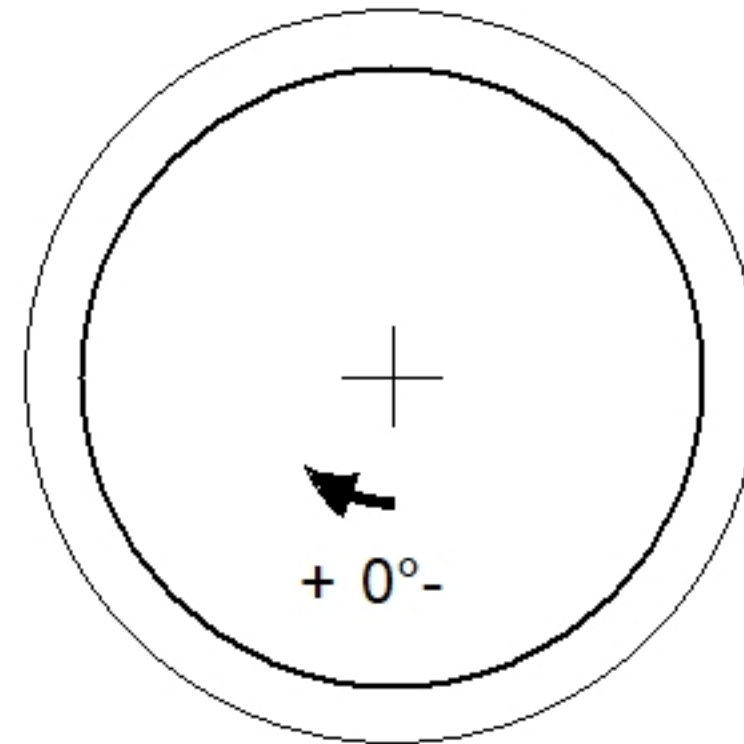
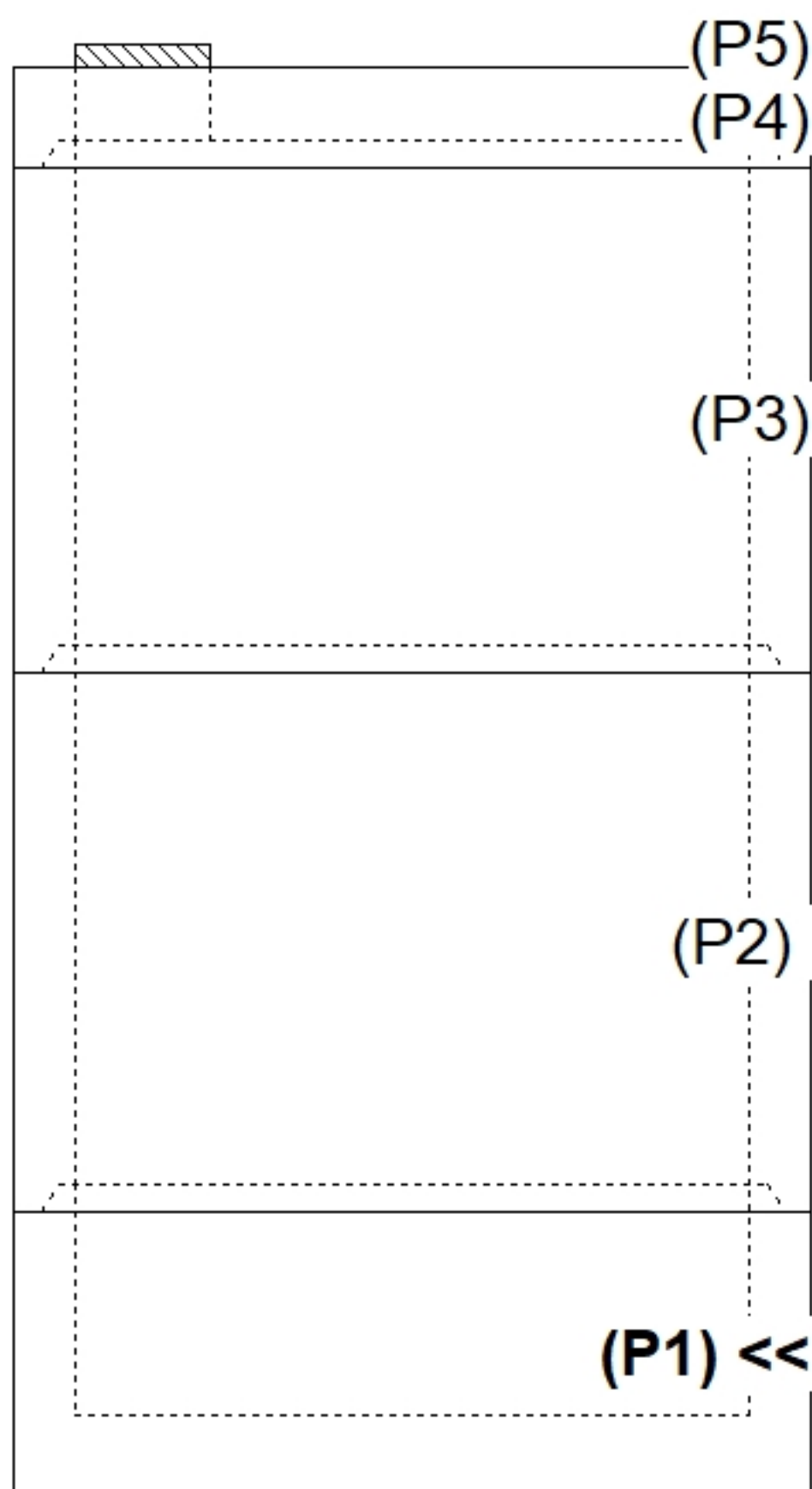
P5) 24" - CASTING HEIGHT - 4" P4) 120" - MH FLAT TOP SPEC. (2 - 24"Ø HOLES) F/G - 18" P3) 120" - MH RISER T/G - 90" P2) 120" - MH RISER T/G - 96" P1) 120" - MH MONOBASE 14F, Custom Ht T/n - 36" 1) CVSTENCILING 1) ASSEMBLY REQUIRED - BRACKETS ONLY 3) 120" - Conseal CS-102 1.00" 2) Hole - 38	0 lb 16223 lb 34189 lb 34322 lb 32280 lb 0 lb 0 lb 0 lb 0 lb ----- 0 lb	Structure Notes: 4" CASTING BY OTHERS ICAST TO INSTALL THE INTERNAL BRACKETS, INTERNAL COMPONENTS TO BE INSTALLED ON SITE BY CONTECH FIELD CONSULTANT CONTECH'S LOGO AS WELL AS THE INLET AND OUTLET MUST BE STENCILED ONTO THE STRUCTURE
Structure Total: 117013 lb		

Rim: 834.9' Rim to Invert: 13.4' Slack: 8.876" Sump: 92.076" Step Position:

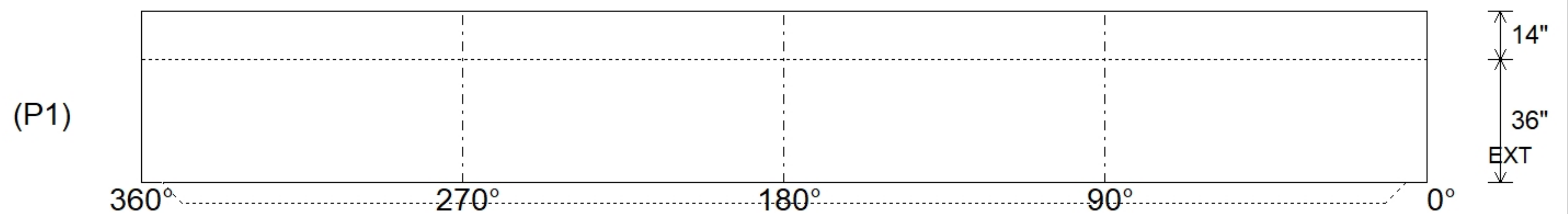
Position	Elev	Angle	Ext. (cw)	Pipe	Pipe OD	Connector	Hole	Horz Size	Up (L)	Offset
Invert 1										
Invert 2										
Invert 3										
Invert 4										
Invert 5										
Invert 6										
Invert 7										
Invert 8										

RIGHT-SIDE UP VIEW (int. dimensions)

UPSIDE-DOWN VIEW (int. dimensions)



INSIDE WALL DIMENSIONS



Coating (Int):	Seam Up: Tongue	Wall Thickness: 11"	Height (Int): 36"	Weight (Net): 32280 lb
Coating (Ext):	Seam Dn: n/a	Floor Height: 14"	Height (Ext): 50"	Volume (Net): 8.24cu.yd