

Job Name: 26-2037 830068 Marketplace
Job Location: Georgetown, KY
Contractor: Contech Engineering Solutions

PC: S. Goff
 TECH: S. Felletter
 Plant: Beaver Dam



Structure ID: **25-CS-8**

Spec: Storm-Pipe Centered
 Type: STM.MH
 Size: 96"

Rim: 840'
 Invert: 831.3'
 Rim to Invert: 8.7'

Sump: 82.044"
 Floor (Top): 824.463'
 Floor Height: 13"

Floor (Bot): 823.38'
 Overall Height: 15.833'
 Slack: 9.444"

Structure Notes:
 4" CASTING BY OTHERS

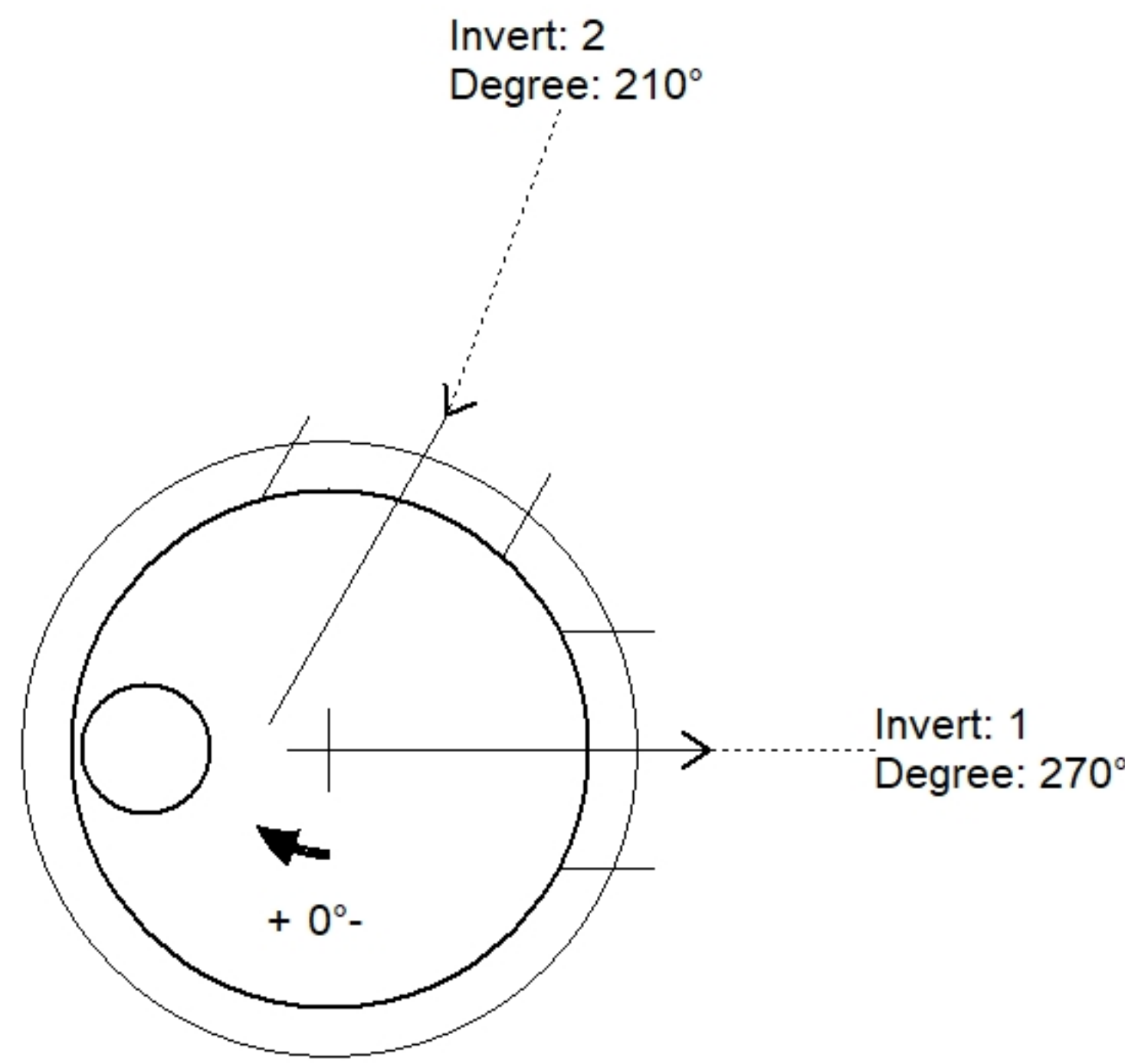
LIFTING ANCHORS TO BE INSTALLED
 ON THE OUTSIDE OF THE STRUCTURE

ICAST TO INSTALL THE INTERNALS

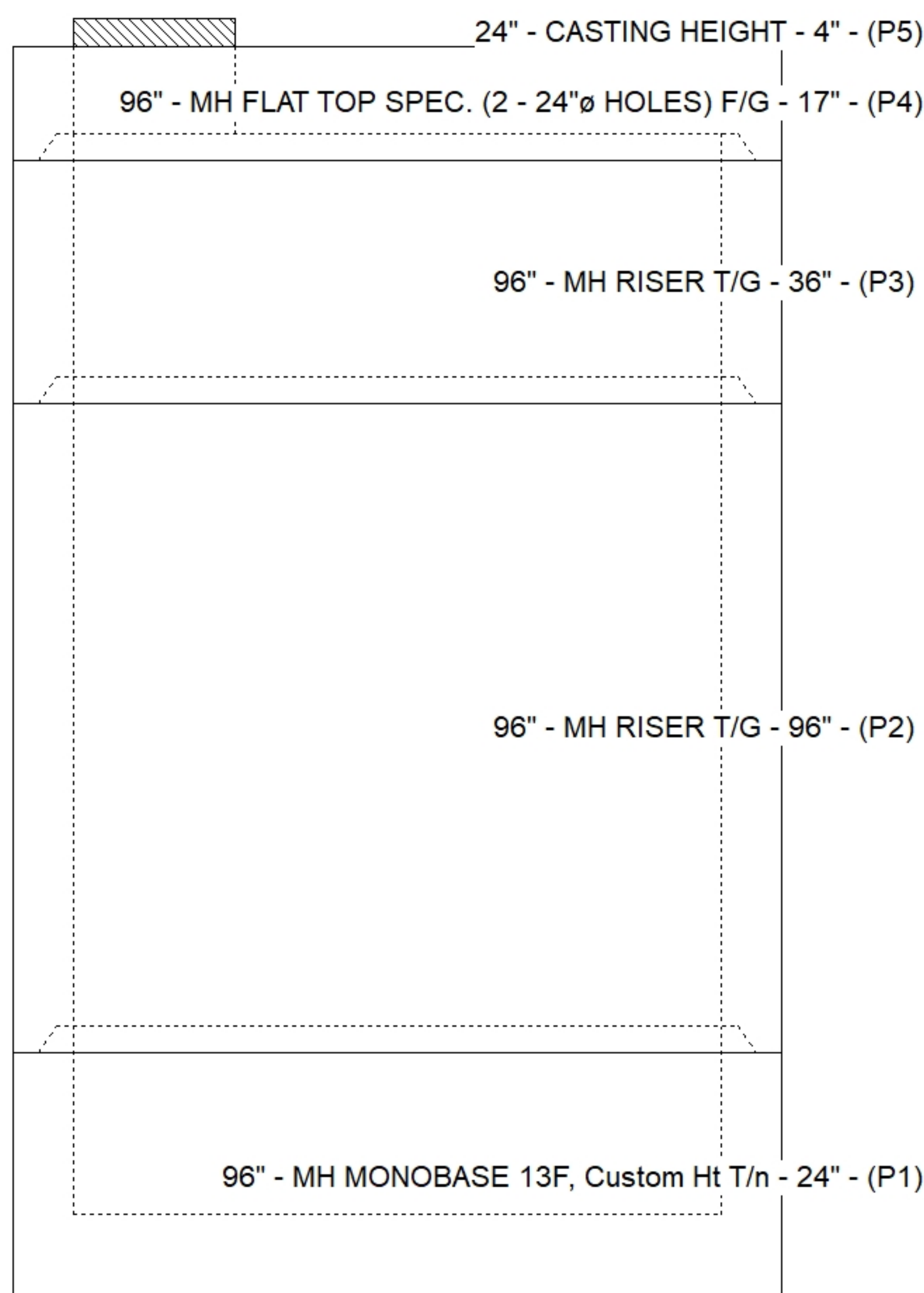
CONTECH'S LOGO AS WELL AS THE
 INLET AND OUTLET MUST BE
 STENCILED ONTO THE STRUCTURE

STRUCTURE SUMMARY:

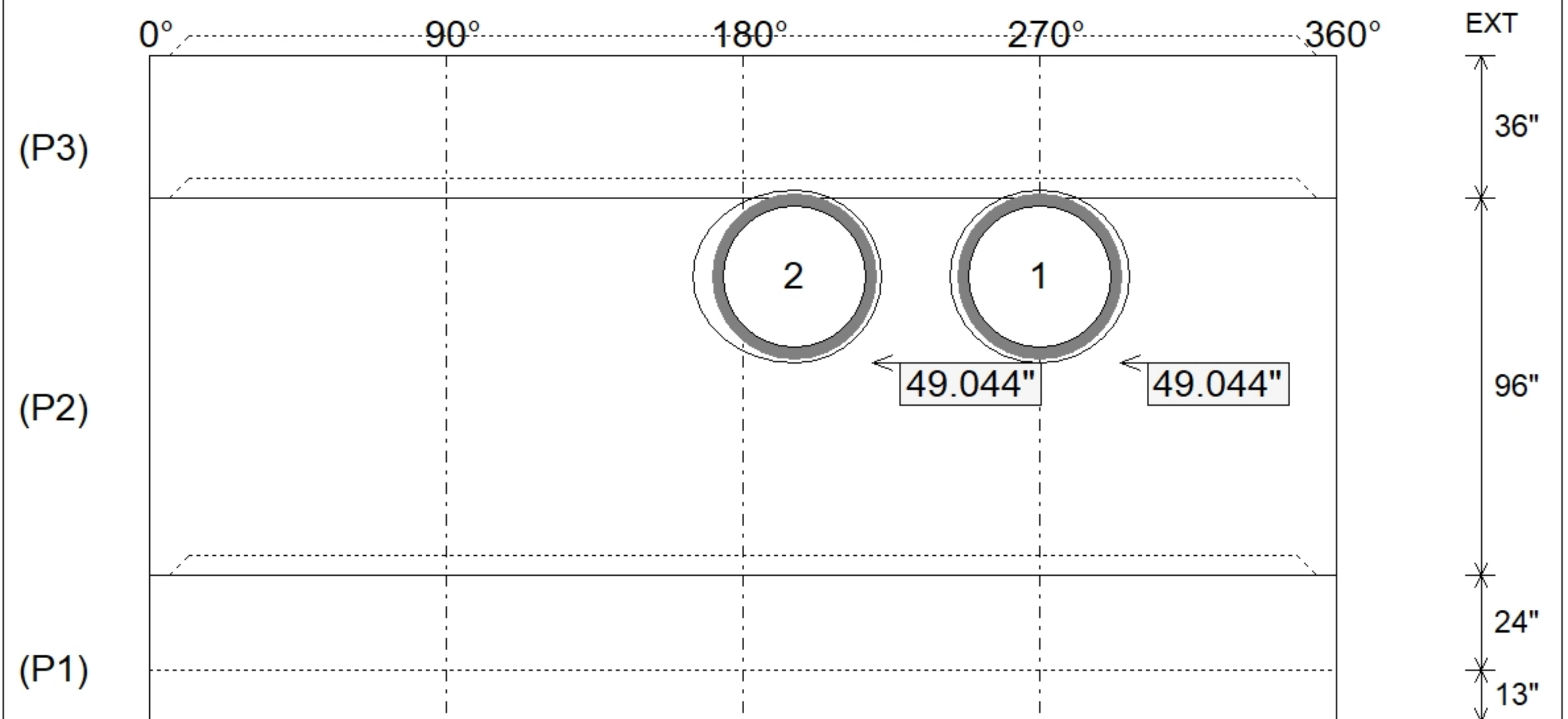
| | |
|--|-----------------|
| P5) 24" - CASTING HEIGHT - 4" | 0 lb |
| P4) 96" - MH FLAT TOP SPEC. (2 - 24"Ø HOLES) F/G - 17" | 10015 lb |
| P3) 96" - MH RISER T/G - 36" | 8928 lb |
| P2) 96" - MH RISER T/G - 96" | 21539 lb |
| P1) 96" - MH MONOBASE 13F, Custom Ht T/n - 24" | 17113 lb |
| 1) CVSTENCILING | 0 lb |
| 1) ASSEMBLY REQUIRED | 0 lb |
| 3) 96" - Conseal CS-102 1.00" | 0 lb |
| 2) Hole - 44 | 0 lb |
| Structure Total: | 57595 lb |



| Position | Elev | Angle | Pipe | Pipe OD | Hole | Connector | Up (") | Ref |
|----------|--------|-------|----------|---------|------|-----------|---------|-----|
| Rim | 840' | | | | | | | |
| Reducer | | | | | | | | |
| Invert 1 | 831.3' | 270° | 36" HDPE | 41.7" | 44" | Hole 44 | 49.044" | P2 |
| Invert 2 | 831.3' | 210° | 36" HDPE | 41.7" | 44" | Hole 44 | 49.044" | P2 |
| Invert 3 | | | | | | | | |
| Invert 4 | | | | | | | | |
| Invert 5 | | | | | | | | |
| Invert 6 | | | | | | | | |
| Invert 7 | | | | | | | | |
| Invert 8 | | | | | | | | |



Default - Interior Dimensions



Submittal Drawing
 4/24/2026 2:06:13 PM

SUBMITTAL
 APPROVED BY: