

Job Name: 26-2037 830068 Marketplace
 Job Location: Georgetown, KY
 Contractor: Contech Engineering Solutions

Plant: Beaver Dam
 4/23/2026 11:53:53 AM

Tech: S. Felletter
 PC: S. Goff



Structure ID: 25-CS-8

P3 MH096RS36

MH RISER T/G

- P5) 24" - CASTING HEIGHT - 4"
- P4) 96" - MH FLAT TOP SPEC. (2 - 24"Ø HOLES) F/G - 17"
- P3) 96" - MH RISER T/G - 36"
- P2) 96" - MH RISER T/G - 96"
- P1) 96" - MH MONOBASE 13F, Custom Ht T/n - 24"
- 1) CVSTENCILING
- 1) ASSEMBLY REQUIRED
- 3) 96" - Conseal CS-102 1.00"
- 2) Hole - 44

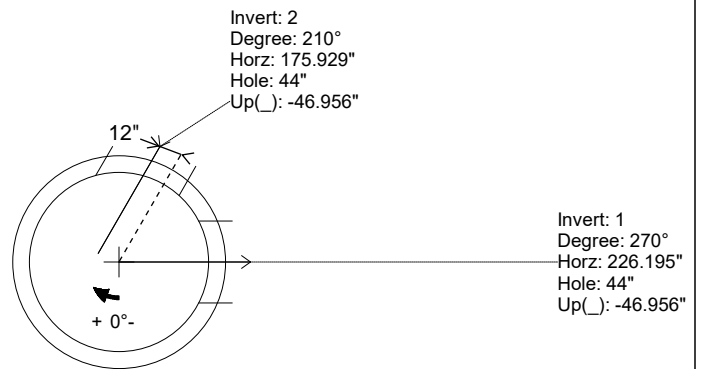
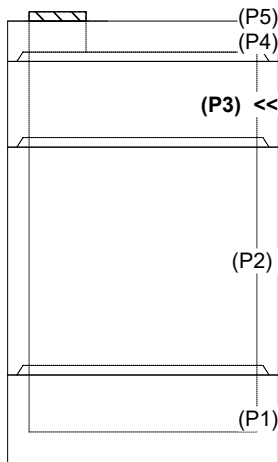
0 lb
 10015 lb
 8928 lb
 21539 lb
 17113 lb
 0 lb
 0 lb
 0 lb
 0 lb
 0 lb
 Structure Total: 57595 lb

Structure Notes:
 4" CASTING BY OTHERS
 LIFTING ANCHORS TO BE INSTALLED ON THE OUTSIDE OF THE STRUCTURE
 ICAST TO INSTALL THE INTERNALS
 CONTECH'S LOGO AS WELL AS THE INLET AND OUTLET MUST BE STENCILED ONTO THE STRUCTURE

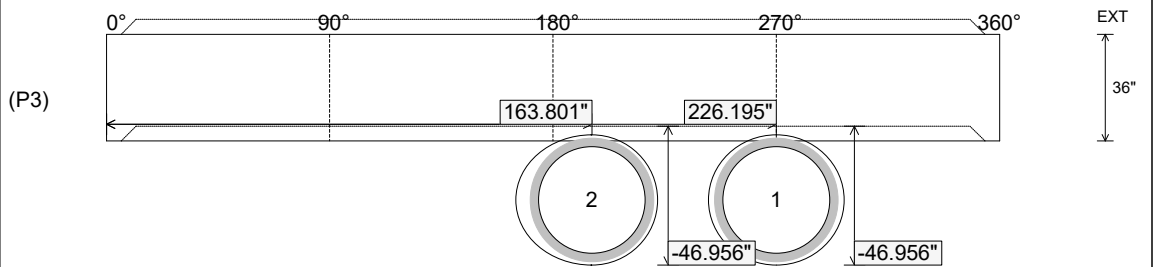
Rim: 840' Rim to Invert: 8.7' Slack: 9.444" Sump: 82.044" Step Position:

Position	Elev	Angle	Ext. (cw)	Pipe	Pipe OD	Connector	Hole	Horz Size	Up ()	Offset
Invert 1	831.3'	270°	268.606"	36" HDPE	41.7"	Hole 44	44"	45.707"	-46.956"	0"
Invert 2	831.3'	210°	196.825"	36" HDPE	41.7"	Hole 44	44"	47.856"	-46.956"	-12"
Invert 3										
Invert 4										
Invert 5										
Invert 6										
Invert 7										
Invert 8										

RIGHT-SIDE UP VIEW (int. dimensions)



INSIDE WALL DIMENSIONS



Coating (Int):
 Coating (Ext):

Seam Up: Tongue
 Seam Dn: Groove

Wall Thickness: 9"
 Floor Height: 0"

Height (Int): 36"
 Height (Ext): 36"

Weight (Net): 8928 lb
 Volume (Net): 2.28cu.yd