

Job Name: 26-2037 830068 Marketplace
 Job Location: Georgetown, KY
 Contractor: Contech Engineering Solutions

Plant: Beaver Dam
 4/23/2026 11:53:54 AM

Tech: S. Felletter
 PC: S. Goff



Structure ID: 15-CS-10

P2 MH120RS96

MH RISER T/G

- P5) 24" - CASTING HEIGHT - 4"
- P4) 120" - MH FLAT TOP SPEC. (2 - 24"Ø HOLES) F/G - 18"
- P3) 120" - MH RISER T/G - 84"
- P2) 120" - MH RISER T/G - 96"
- P1) 120" - MH MONOBASE 14F, Custom Ht T/n - 36"
- 1) CVSTENCILING
- 1) ASSEMBLY REQUIRED - BRACKETS ONLY
- 3) 120" - Conseal CS-102 1.00"
- 2) Hole - 38

0 lb
 16223 lb
 31909 lb
 34322 lb
 32280 lb
 0 lb
 0 lb
 0 lb
 0 lb
 0 lb

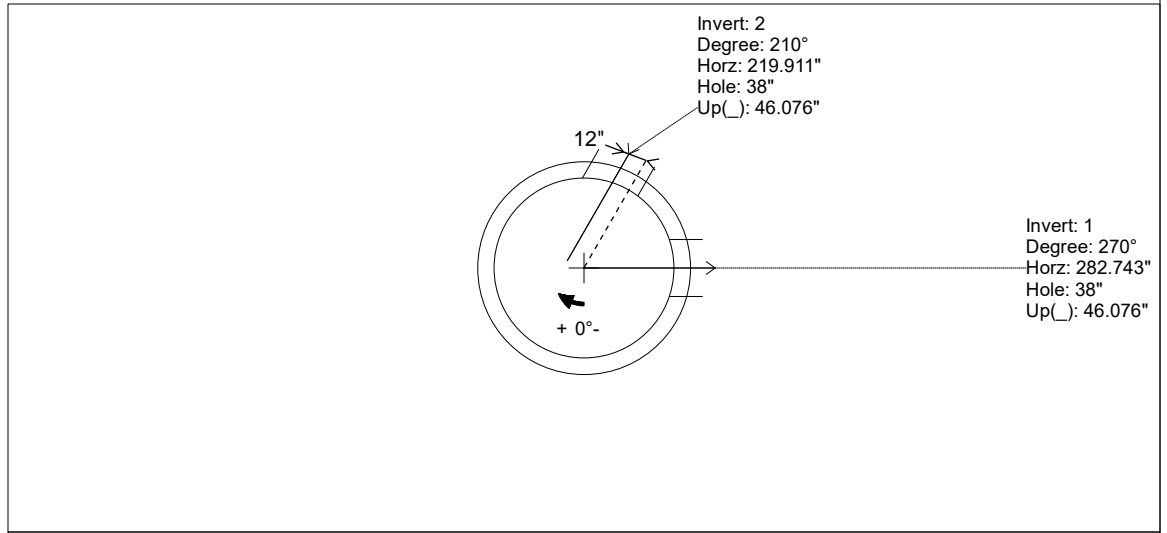
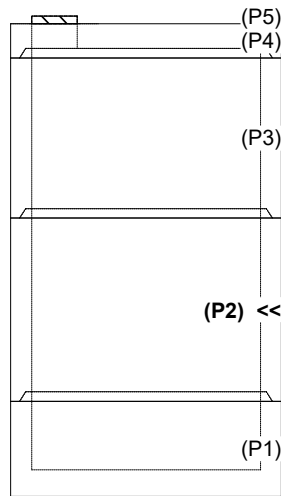
 Structure Total: 114734 lb

Structure Notes:
 4" CASTING BY OTHERS
 ICAST TO INSTALL THE INTERNAL BRACKETS,
 INTERNAL COMPONENTS TO BE INSTALLED ON
 SITE BY CONTECH FIELD CONSULTANT
 CONTECH'S LOGO AS WELL AS THE
 INLET AND OUTLET MUST BE
 STENCILED ONTO THE STRUCTURE

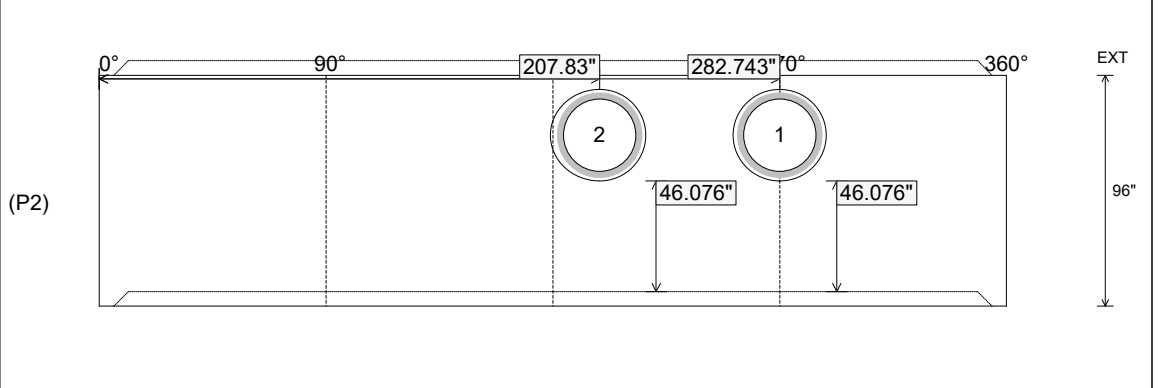
Rim: 833.75' Rim to Invert: 12.25' Slack: 1.076" Sump: 92.076" Step Position:

Position	Elev	Angle	Ext. (cw)	Pipe	Pipe OD	Connector	Hole	Horz Size	Up ()	Offset
Invert 1	821.5'	270°	334.58"	30" HDPE	35.1"	Hole 38	38"	38.666"	46.076"	0"
Invert 2	821.5'	210°	248.171"	30" HDPE	35.1"	Hole 38	38"	39.593"	46.076"	-12"
Invert 3										
Invert 4										
Invert 5										
Invert 6										
Invert 7										
Invert 8										

RIGHT-SIDE UP VIEW (int. dimensions)



INSIDE WALL DIMENSIONS



Coating (Int): Coating (Ext):	Seam Up: Tongue Seam Dn: Groove	Wall Thickness: 11" Floor Height: 0"	Height (Int): 96" Height (Ext): 96"	Weight (Net): 34322 lb Volume (Net): 8.77cu.yd
----------------------------------	------------------------------------	---	--	---