

Job Name: 26-2037 830068 Marketplace  
 Job Location: Georgetown, KY  
 Contractor: Contech Engineering Solutions

Plant: Beaver Dam  
 4/24/2026 2:06:23 PM

Tech: S. Felletter  
 PC: S. Goff



**Structure ID: 15-CS-10**

**P1 MH120BVF**

**MH MONOBASE 14F, Custom Ht T/n**

P5) 24" - CASTING HEIGHT - 4"	0 lb
P4) 120" - MH FLAT TOP SPEC. (2 - 24"Ø HOLES) F/G - 18"	16223 lb
P3) 120" - MH RISER T/G - 84"	31909 lb
P2) 120" - MH RISER T/G - 96"	34322 lb
P1) 120" - MH MONOBASE 14F, Custom Ht T/n - 36"	32280 lb
1) CVSTENCILING	0 lb
1) ASSEMBLY REQUIRED - BRACKETS ONLY	0 lb
3) 120" - Conseal CS-102 1.00"	0 lb
2) Hole - 38	0 lb
<b>Structure Total:</b>	<b>114734 lb</b>

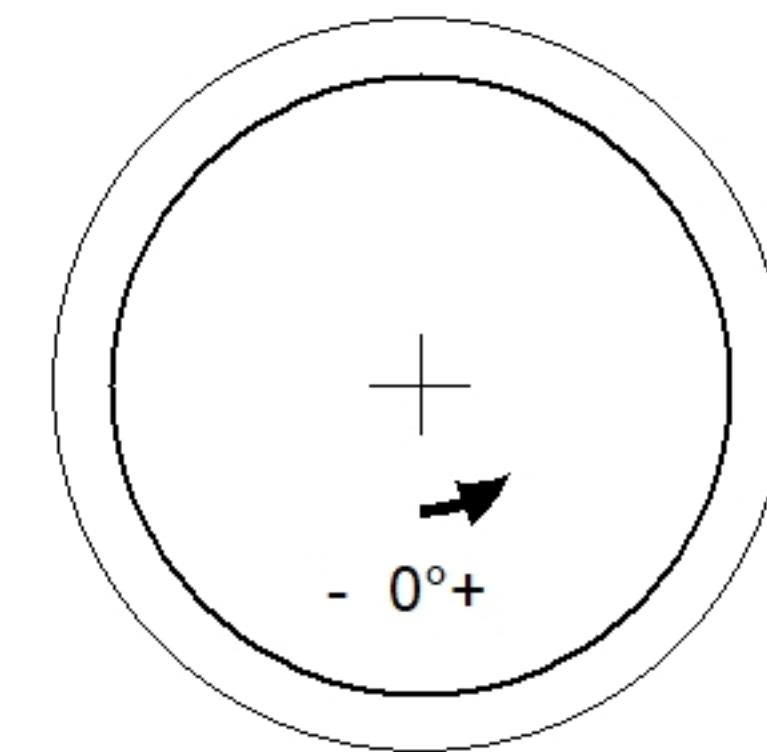
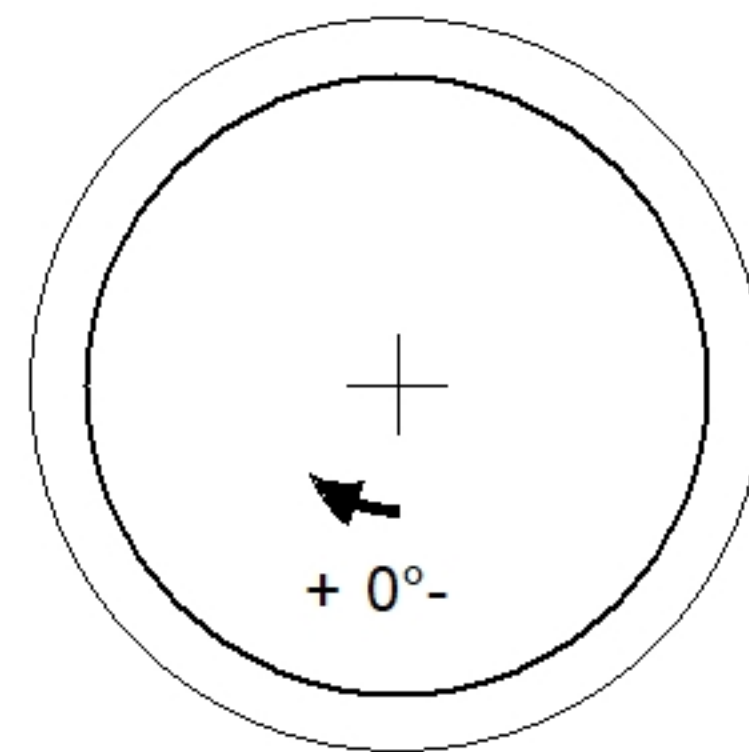
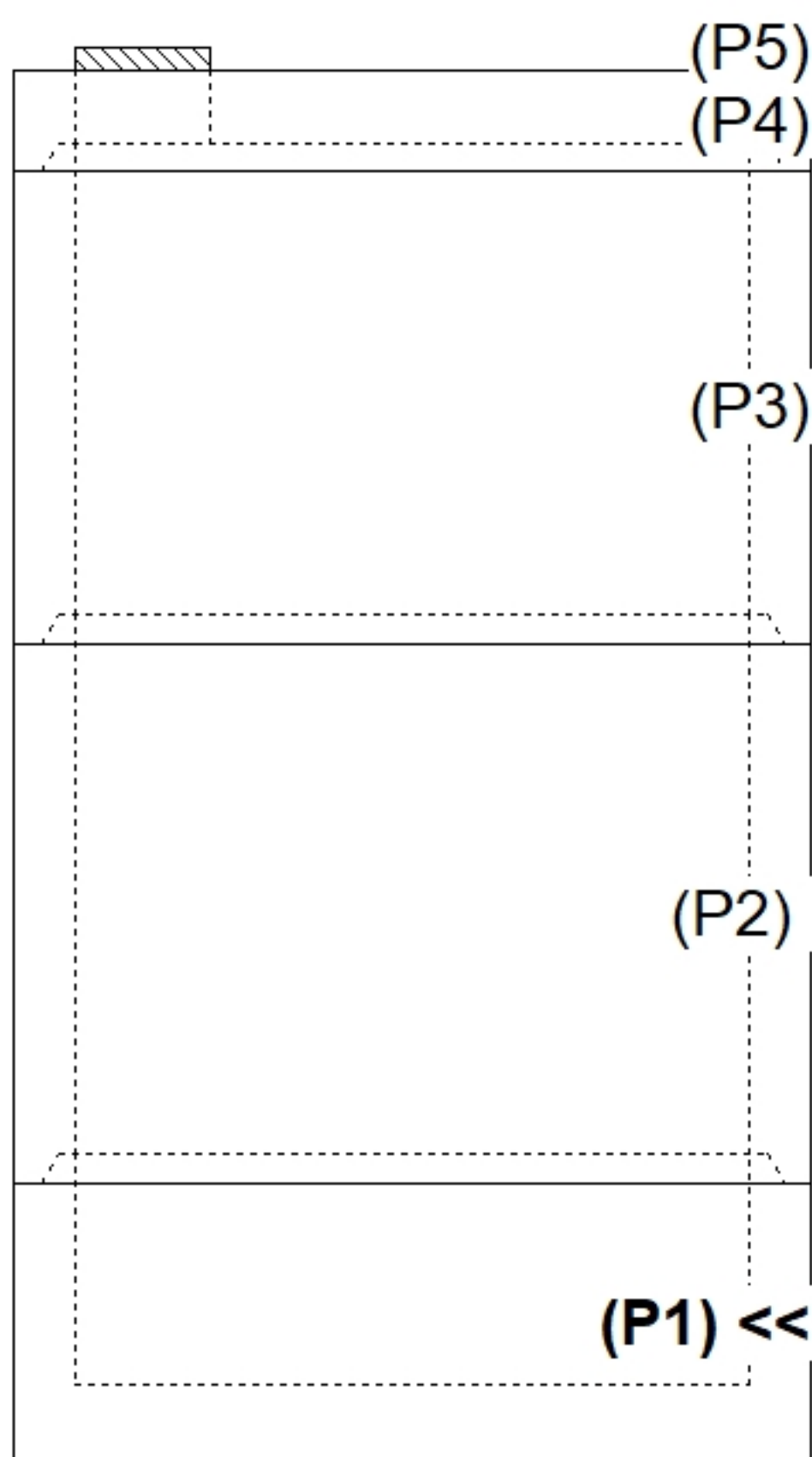
Structure Notes:  
 4" CASTING BY OTHERS  
  
 ICAST TO INSTALL THE INTERNAL BRACKETS,  
 INTERNAL COMPONENTS TO BE INSTALLED ON  
 SITE BY CONTECH FIELD CONSULTANT  
  
 CONTECH'S LOGO AS WELL AS THE  
 INLET AND OUTLET MUST BE  
 STENCILED ONTO THE STRUCTURE

Rim: 833.75' Rim to Invert: 12.25' Slack: 1.076" Sump: 92.076" Step Position:

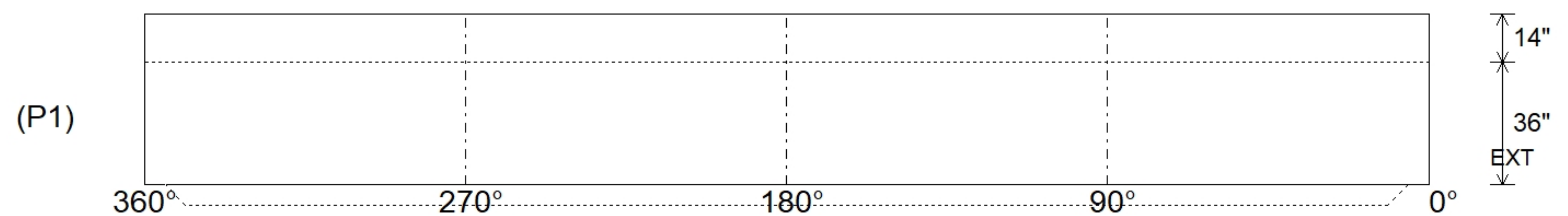
Position	Elev	Angle	Ext. (cw)	Pipe	Pipe OD	Connector	Hole	Horz Size	Up (L)	Offset
Invert 1										
Invert 2										
Invert 3										
Invert 4										
Invert 5										
Invert 6										
Invert 7										
Invert 8										

RIGHT-SIDE UP VIEW (int. dimensions)

UPSIDE-DOWN VIEW (int. dimensions)



INSIDE WALL DIMENSIONS



Coating (Int):  
 Coating (Ext):

Seam Up: Tongue  
 Seam Dn: n/a

Wall Thickness: 11"  
 Floor Height: 14"

Height (Int): 36"  
 Height (Ext): 50"

Weight (Net): 32280 lb  
 Volume (Net): 8.24cu.yd