

Job Name: 26-2037 830068 Marketplace
 Job Location: Georgetown, KY
 Contractor: Contech Engineering Solutions

Plant: Beaver Dam
 4/24/2026 2:06:21 PM

Tech: S. Felletter
 PC: S. Goff



Structure ID: 10-CS-8

P1 MH096BAVF

MH MONOBASE 13F, Custom Ht T/n

P5) 24" - CASTING HEIGHT - 4"	0 lb
P4) 96" - MH FLAT TOP SPEC. (2 - 24"Ø HOLES) F/G - 17"	10015 lb
P3) 96" - MH RISER T/G - 36"	8928 lb
P2) 96" - MH RISER T/G - 96"	21539 lb
P1) 96" - MH MONOBASE 13F, Custom Ht T/n - 24"	17113 lb
1) CVSTENCILING	0 lb
1) ASSEMBLY REQUIRED	0 lb
3) 96" - Conseal CS-102 1.00"	0 lb
2) Hole - 44	0 lb
Structure Total:	57595 lb

Structure Notes:
 4" CASTING BY OTHERS

 LIFTING ANCHORS TO BE INSTALLED ON THE OUTSIDE OF THE STRUCTURE

 ICAST TO INSTALL THE INTERNALS

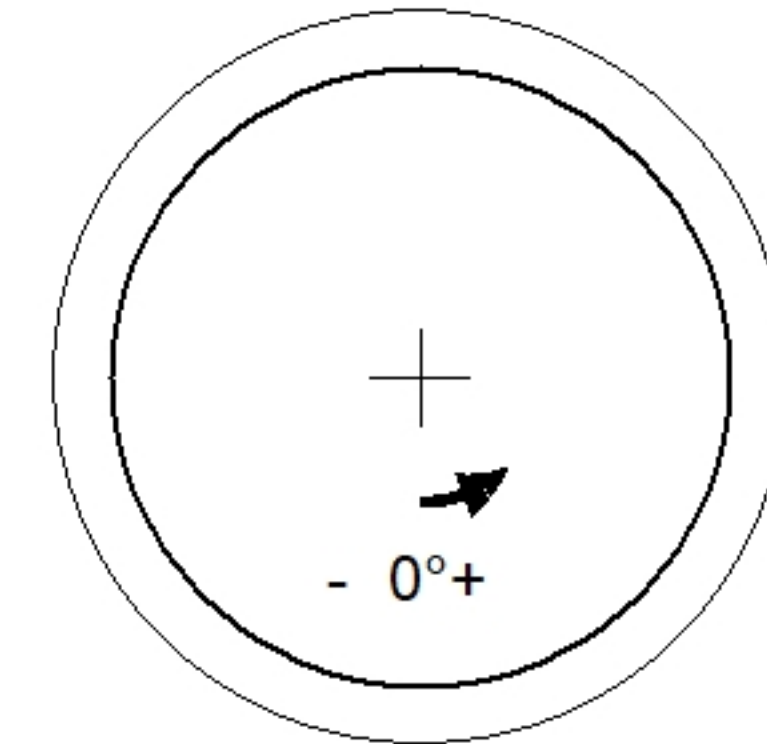
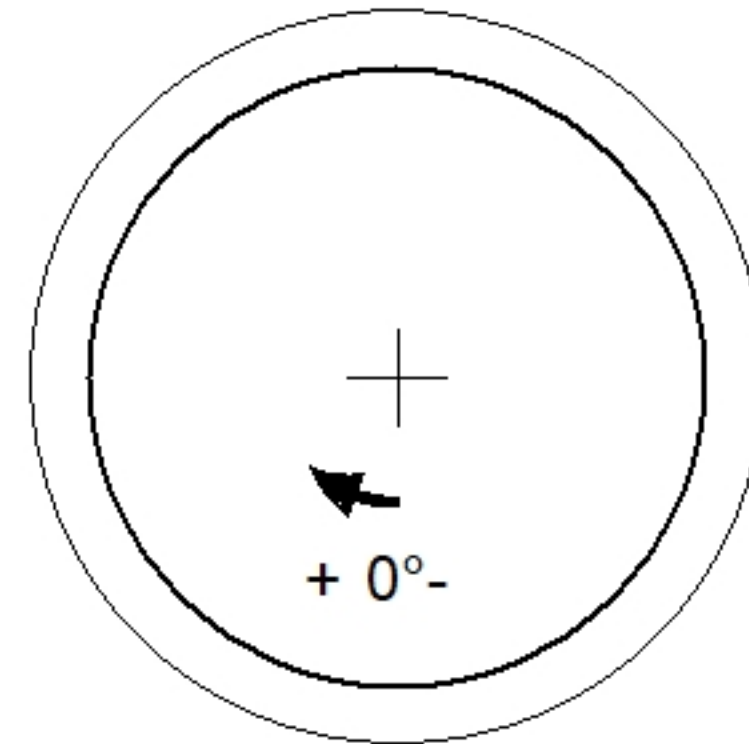
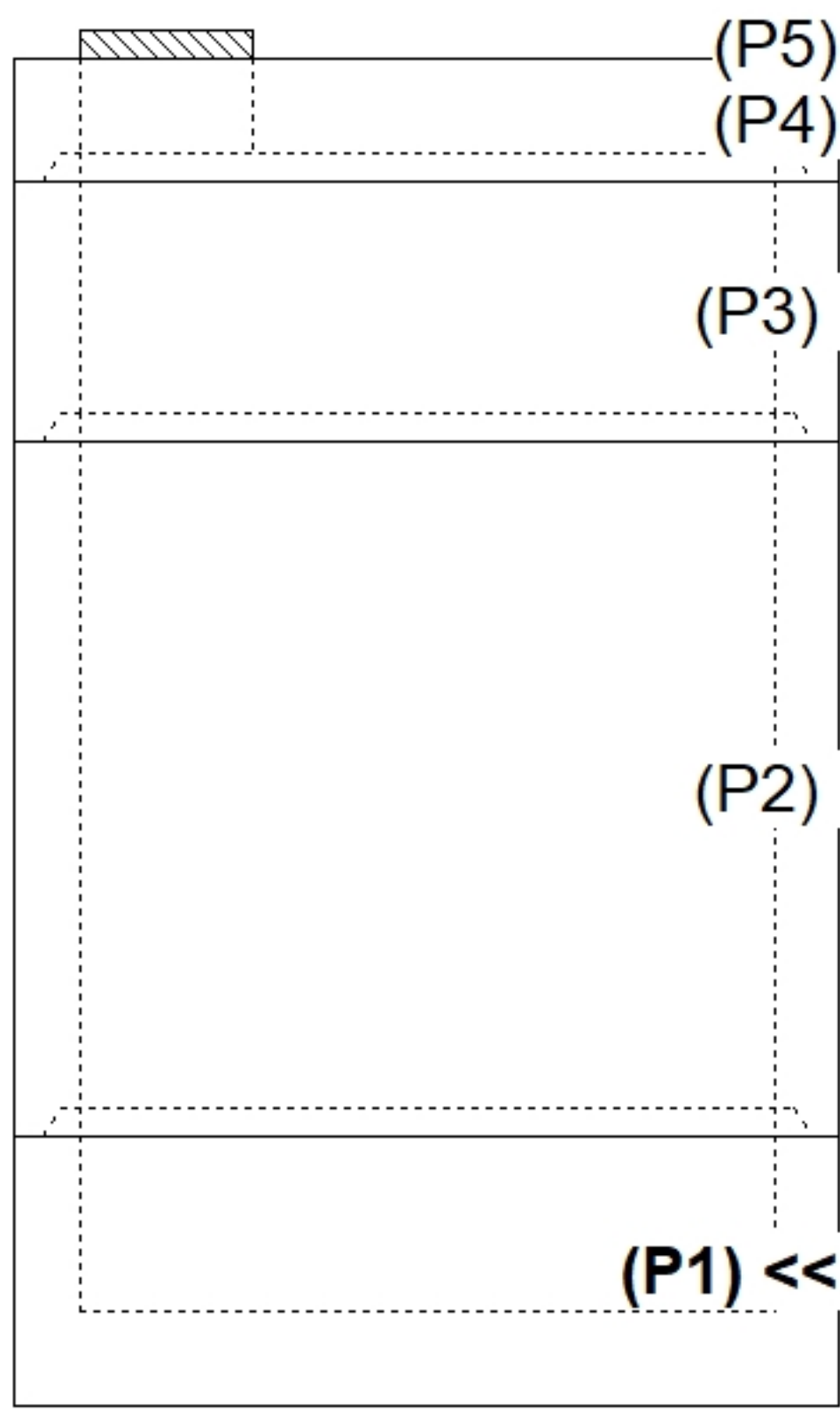
 CONTECH'S LOGO AS WELL AS THE INLET AND OUTLET MUST BE STENCILED ONTO THE STRUCTURE

Rim: 839.5' Rim to Invert: 8.1' Slack: 2.244" Sump: 82.044" Step Position:

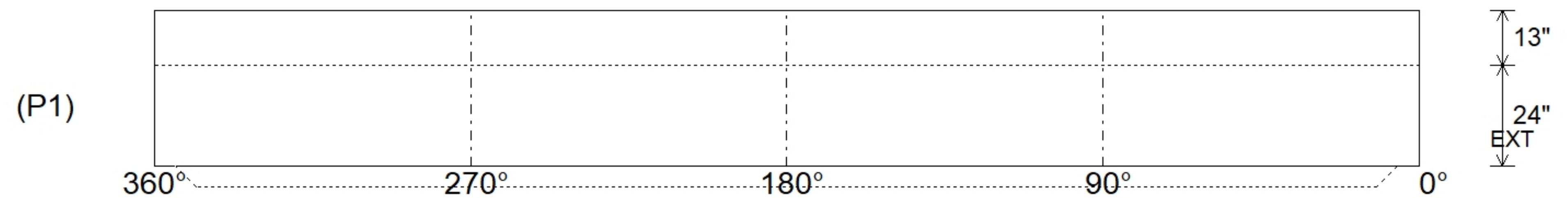
Position	Elev	Angle	Ext. (cw)	Pipe	Pipe OD	Connector	Hole	Horz Size	Up (L)	Offset
Invert 1										
Invert 2										
Invert 3										
Invert 4										
Invert 5										
Invert 6										
Invert 7										
Invert 8										

RIGHT-SIDE UP VIEW (int. dimensions)

UPSIDE-DOWN VIEW (int. dimensions)



INSIDE WALL DIMENSIONS



Coating (Int):
 Coating (Ext):

Seam Up: Tongue
 Seam Dn: n/a

Wall Thickness: 9"
 Floor Height: 13"

Height (Int): 24"
 Height (Ext): 37"

Weight (Net): 17113 lb
 Volume (Net): 4.37cu.yd