

Job Name: 26-1981 851156 Blakenbaker Parkway
Job Location: Louisville, KY
Contractor: Contech Engineering Solutions

PC: C. Goff
 TECH: S. Felletter
 Plant: Beaver Dam



Structure ID: **15-CS-3**
 Spec: Storm-Pipe Centered
 Type: STM.MH
 Size: 36"

Rim: 697.61'
 Invert: 690.8'
 Rim to Invert: 6.81'

Sump: 38.04"
 Floor (Top): 687.63'
 Floor Height: 6"

Floor (Bot): 687.13'
 Overall Height: 9.667'
 Slack: 9.76"

Structure Notes:
 4" CASTING BY OTHERS

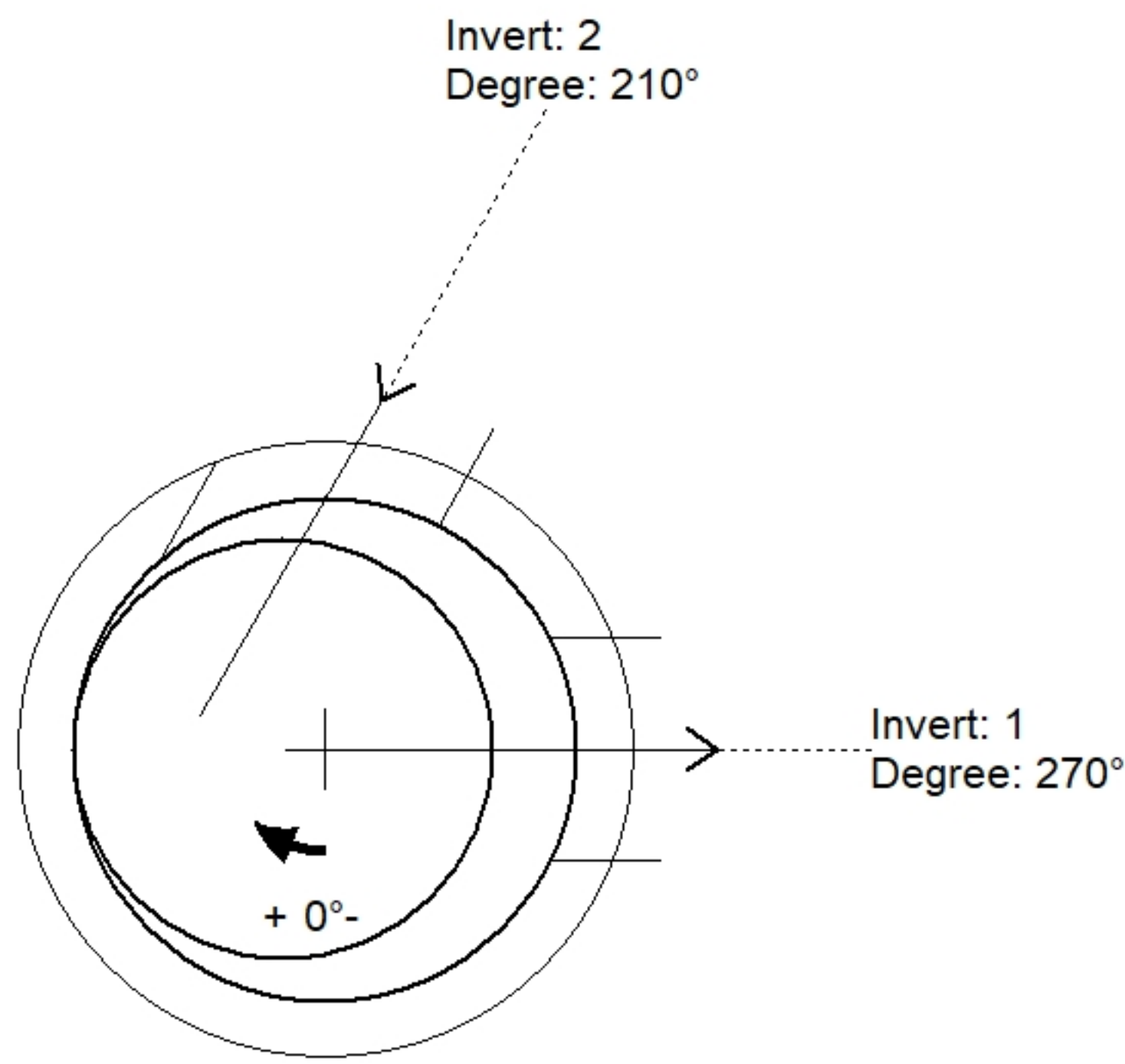
LIFTING ANCHORS TO BE INSTALLED
 ON THE OUTSIDE OF THE STRUCTURE

ICAST TO INSTALL THE INTERNALS

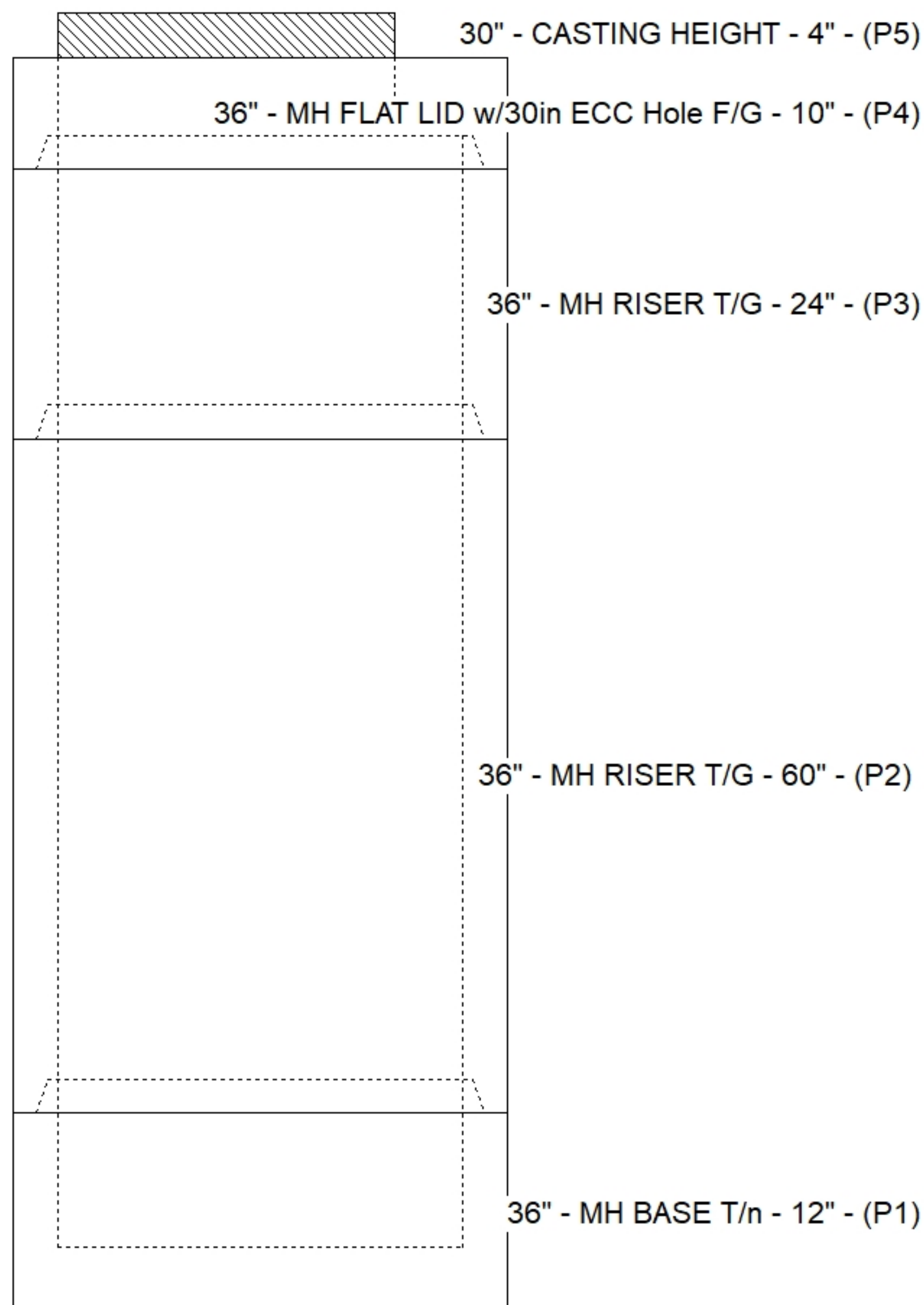
CONTECH'S LOGO AS WELL AS THE
 INLET AND OUTLET MUST BE
 STENCILED ONTO THE STRUCTURE

STRUCTURE SUMMARY:

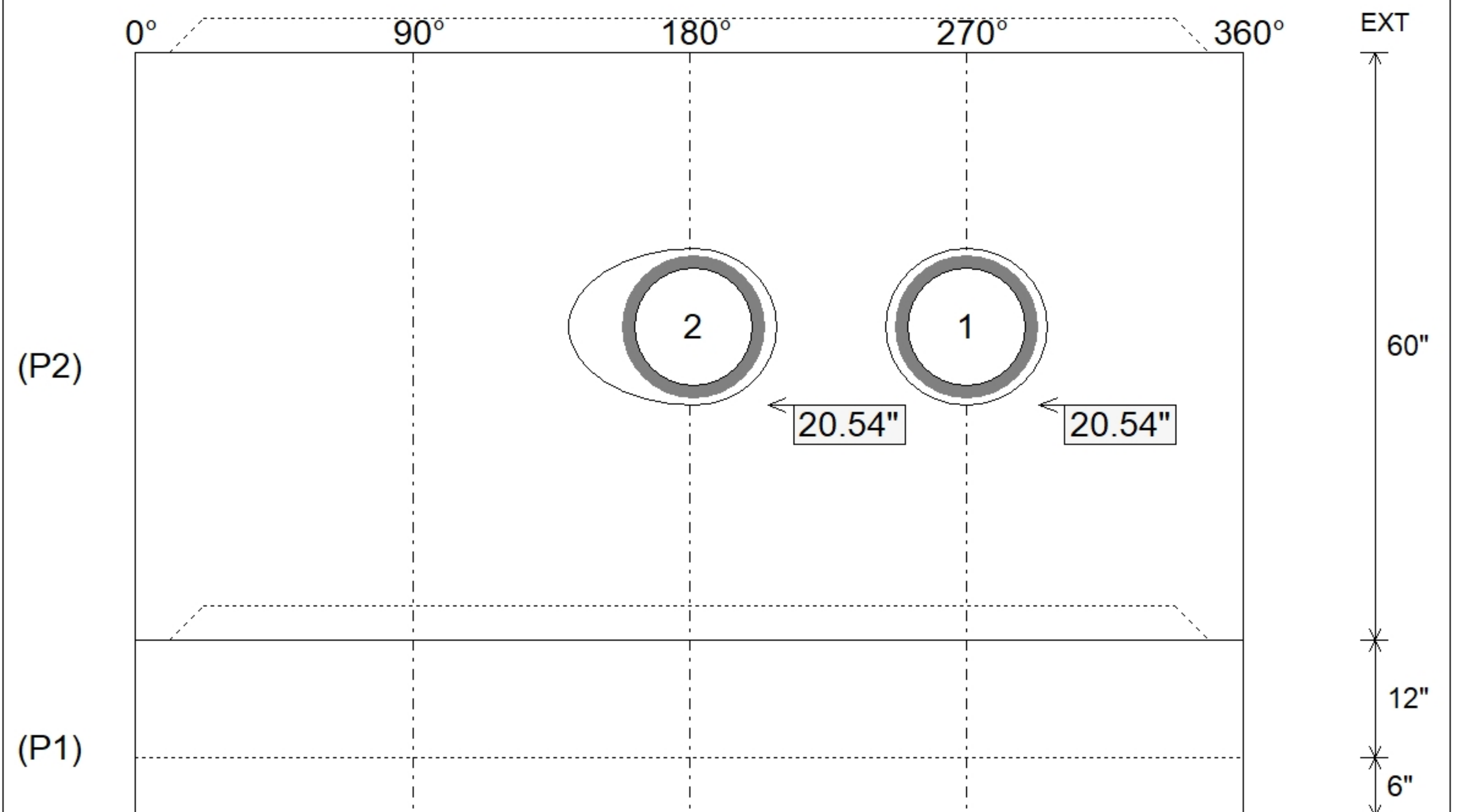
P5) 30" - CASTING HEIGHT - 4"	0 lb
P4) 36" - MH FLAT LID w/30in ECC Hole F/G - 10"	683 lb
P3) 36" - MH RISER T/G - 24"	1012 lb
P2) 36" - MH RISER T/G - 60"	2378 lb
P1) 36" - MH BASE T/n - 12"	1272 lb
1) CVSTENCILING	0 lb
1) ASSEMBLY REQUIRED	0 lb
2) Hole - 16	0 lb
Structure Total:	5344 lb



Position	Elev	Angle	Pipe	Pipe OD	Hole	Connector	Up (")	Ref
Rim	697.61'							
Reducer								
Invert 1	690.8'	270°	12" HDPE	14.5"	16"	Hole 16	20.54"	P2
Invert 2	690.8'	210°	12" HDPE	14.5"	16"	Hole 16	20.54"	P2
Invert 3								
Invert 4								
Invert 5								
Invert 6								
Invert 7								
Invert 8								



Default - Interior Dimensions



Submittal Drawing
 4/20/2026 8:38:01 AM

SUBMITTAL
 APPROVED BY: