

Job Name: 26-1981 851156 Blakenbaker Parkway
 Job Location: Louisville, KY
 Contractor: Contech Engineering Solutions

Plant: Beaver Dam
 4/17/2026 12:13:10 PM

Tech: S. Felletter
 PC: C. Goff



Structure ID: 15-CS-3

P4 MH036LD10-30ECC

MH FLAT LID w/30in ECC Hole F/G

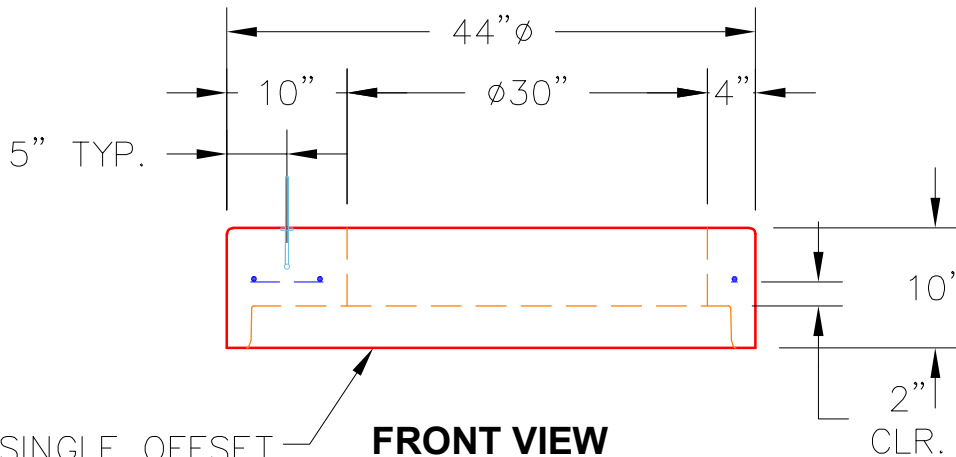
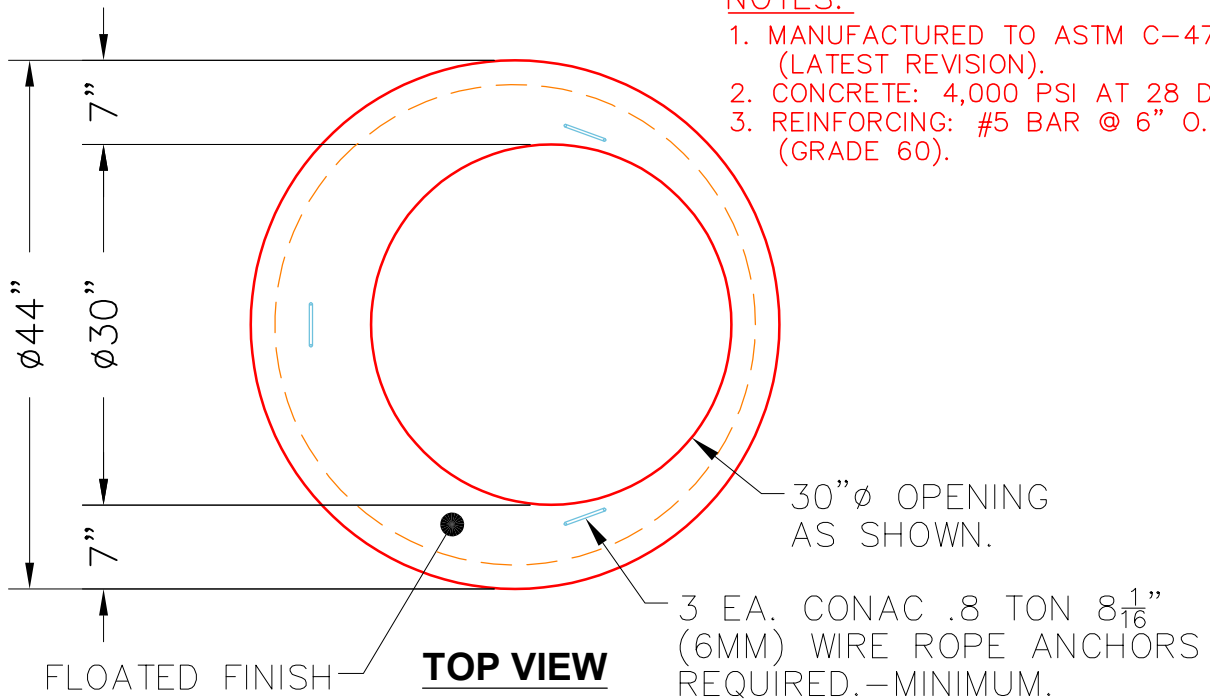
- P5) 30" - CASTING HEIGHT - 4"
- P4) 36" - MH FLAT LID w/30in ECC Hole F/G - 10"
- P3) 36" - MH RISER T/G - 24"
- P2) 36" - MH RISER T/G - 60"
- P1) 36" - MH BASE T/h - 12"
- 1) CVSTENCILING
- 1) ASSEMBLY REQUIRED
- 2) Hole - 16

	0 lb
	683 lb
	1012 lb
	2378 lb
	1272 lb
	0 lb
	0 lb
	0 lb
Structure Total:	5344 lb

Structure Notes:
 4" CASTING BY OTHERS
 LIFTING ANCHORS TO BE INSTALLED ON THE OUTSIDE OF THE STRUCTURE
 ICAST TO INSTALL THE INTERNALS
 CONTECH'S LOGO AS WELL AS THE INLET AND OUTLET MUST BE STENCILED ONTO THE STRUCTURE

NOTES:

1. MANUFACTURED TO ASTM C-478 (LATEST REVISION).
2. CONCRETE: 4,000 PSI AT 28 DAYS.
3. REINFORCING: #5 BAR @ 6" O.C. E.W. (GRADE 60).



Coating (Int):
 Coating (Ext):

Seam Up: Flat
 Seam Dn: Groove

Wall Thickness: 4"

Height (Ext): 10"

Weight (Net): 683 lb
 Volume (Net): 0.17cu.yd