

Job Name: 26-1981 851156 Blakenbaker Parkway
 Job Location: Louisville, KY
 Contractor: Contech Engineering Solutions

Plant: Beaver Dam
 4/17/2026 12:13:21 PM

Tech: S. Felletter
 PC: C. Goff



Structure ID: 15-CS-3

P2 MH036RS60

MH RISER T/G

- P5) 30" - CASTING HEIGHT - 4"
- P4) 36" - MH FLAT LID w/30in ECC Hole F/G - 10"
- P3) 36" - MH RISER T/G - 24"
- P2) 36" - MH RISER T/G - 60"
- P1) 36" - MH BASE T/h - 12"
- 1) CVSTENCILING
- 1) ASSEMBLY REQUIRED
- 2) Hole - 16

0 lb
 683 lb
 1012 lb
 2378 lb
 1272 lb
 0 lb
 0 lb
 0 lb

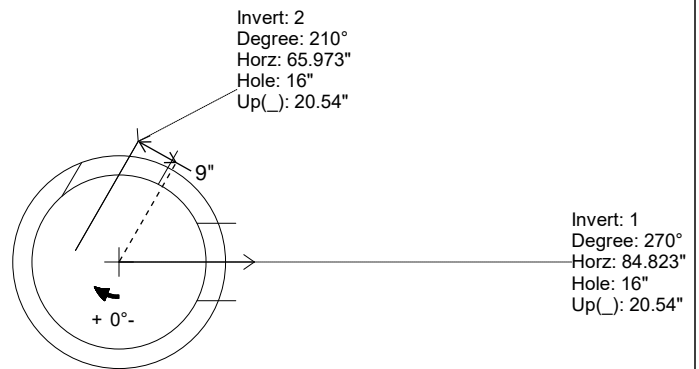
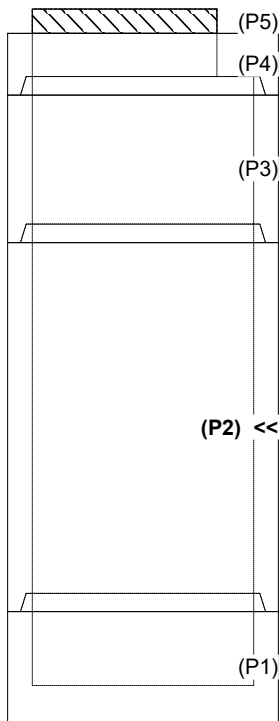
 Structure Total: 5344 lb

Structure Notes:
 4" CASTING BY OTHERS
 LIFTING ANCHORS TO BY INSTALLED ON THE OUTSIDE OF THE STRUCTURE
 ICAST TO INSTALL THE INTERNALS
 CONTECH'S LOGO AS WELL AS THE INLET AND OUTLET MUST BE STENCILED ONTO THE STRUCTURE

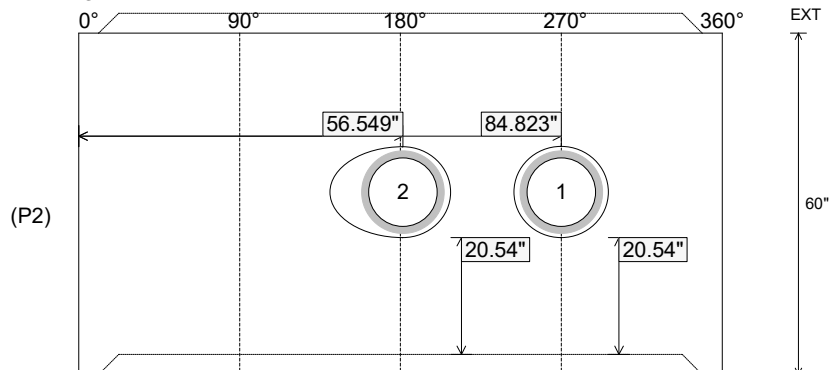
Rim: 697.61' Rim to Invert: 6.81' Slack: 9.76" Sump: 38.04" Step Position:

Position	Elev	Angle	Ext. (cw)	Pipe	Pipe OD	Connector	Hole	Horz Size	Up (⌋)	Offset
Invert 1	690.8'	270°	103.673"	12" HDPE	14.5"	Hole 16	16"	16.58"	20.54"	0"
Invert 2	690.8'	210°	71.362"	12" HDPE	14.5"	Hole 16	16"	21.246"	20.54"	-9"
Invert 3										
Invert 4										
Invert 5										
Invert 6										
Invert 7										
Invert 8										

RIGHT-SIDE UP VIEW (int. dimensions)



INSIDE WALL DIMENSIONS



Coating (Int):
 Coating (Ext):

Seam Up: Tongue
 Seam Dn: Groove

Wall Thickness: 4"
 Floor Height: 0"

Height (Int): 60"
 Height (Ext): 60"

Weight (Net): 2378 lb
 Volume (Net): 0.61cu.yd