

Structure ID: 15-CS-3

P1 MH036BA12 MH BASE T/n

P5) 30" - CASTING HEIGHT - 4" P4) 36" - MH FLAT LID w/30in ECC Hole F/G - 10" P3) 36" - MH RISER T/G - 24" P2) 36" - MH RISER T/G - 60" P1) 36" - MH BASE T/n - 12" 1) CVSTENCILING 1) ASSEMBLY REQUIRED 2) Hole - 16	0 lb 683 lb 1012 lb 2378 lb 1272 lb 0 lb 0 lb 0 lb _____ Structure Total: 5344 lb
--	--

Structure Notes:
 4" CASTING BY OTHERS

LIFTING ANCHORS TO BY INSTALLED ON THE OUTSIDE OF THE STRUCTURE

ICAST TO INSTALL THE INTERNALS

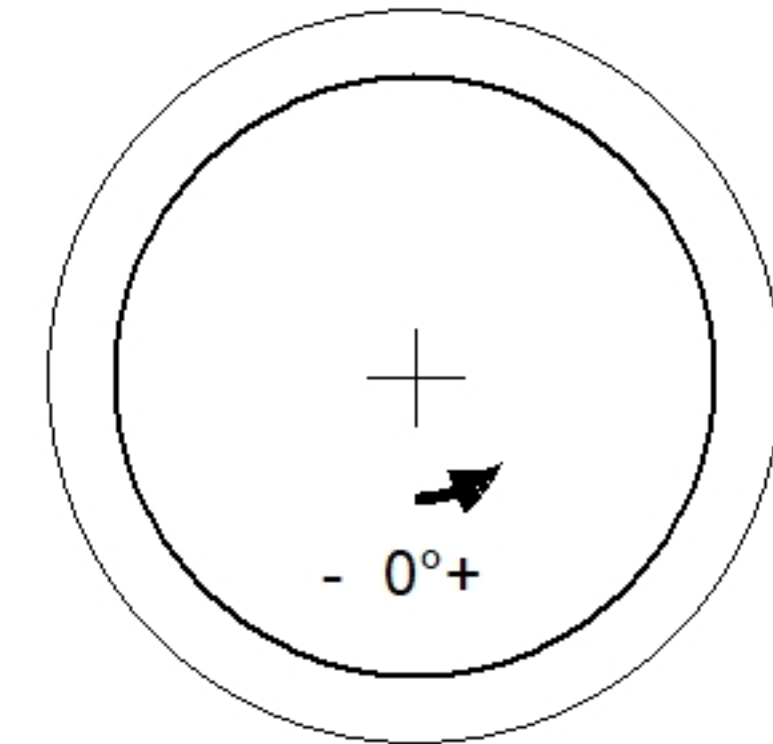
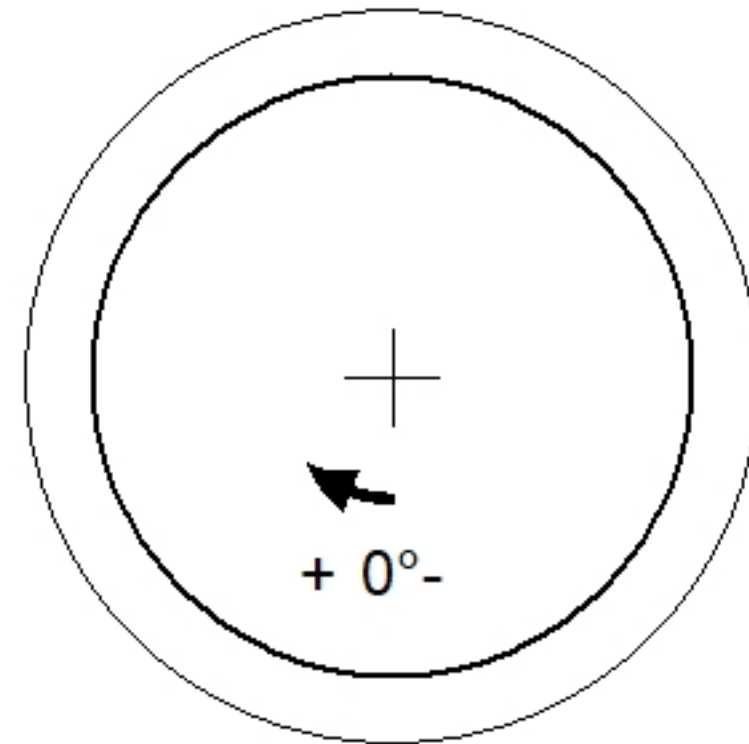
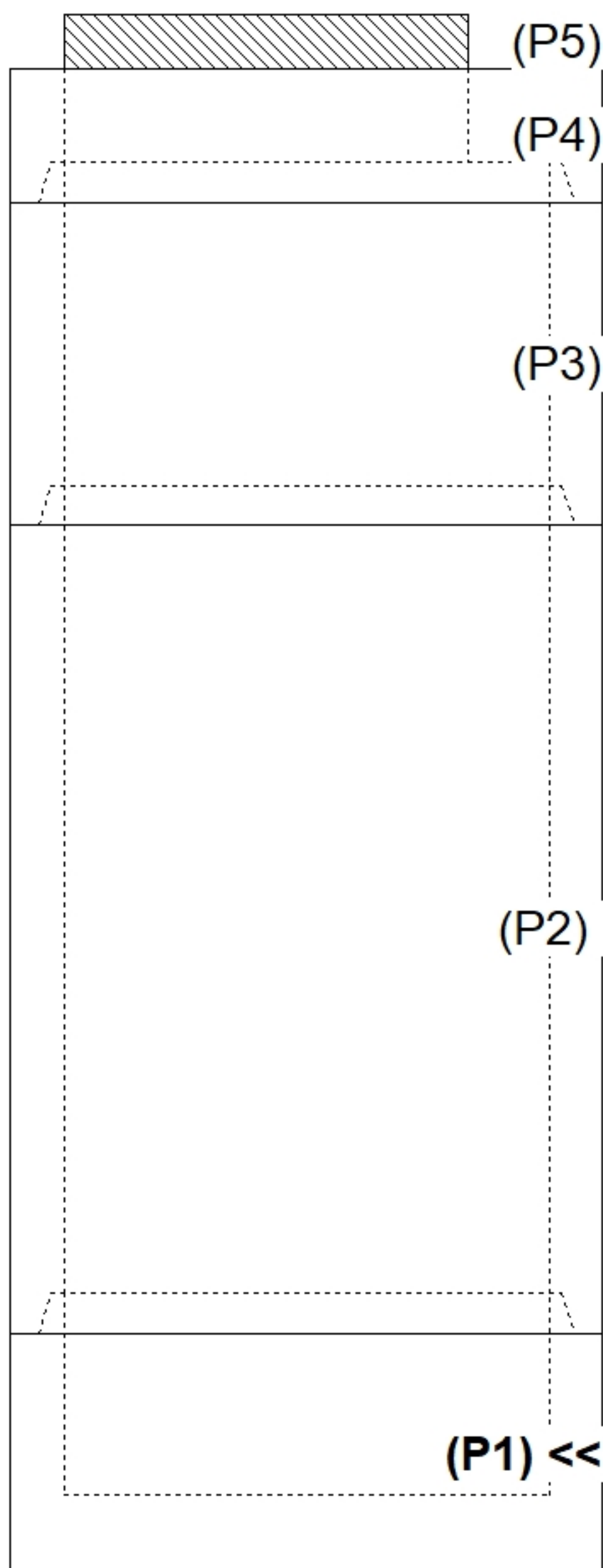
CONTECH'S LOGO AS WELL AS THE INLET AND OUTLET MUST BE STENCILED ONTO THE STRUCTURE

Rim: 697.61' Rim to Invert: 6.81' Slack: 9.76" Sump: 38.04" Step Position:

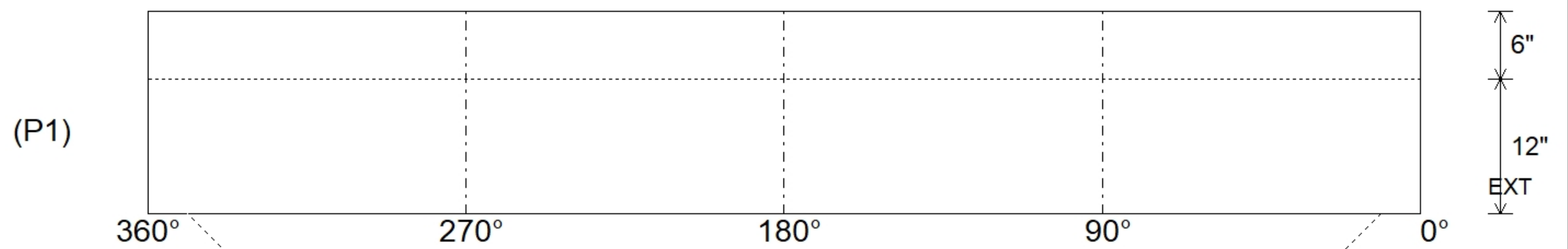
Position	Elev	Angle	Ext. (cw)	Pipe	Pipe OD	Connector	Hole	Horz Size	Up (L)	Offset
Invert 1										
Invert 2										
Invert 3										
Invert 4										
Invert 5										
Invert 6										
Invert 7										
Invert 8										

RIGHT-SIDE UP VIEW (int. dimensions)

UPSIDE-DOWN VIEW (int. dimensions)



INSIDE WALL DIMENSIONS



Coating (Int): Coating (Ext):	Seam Up: Tongue Seam Dn: n/a	Wall Thickness: 4" Floor Height: 6"	Height (Int): 12" Height (Ext): 18"	Weight (Net): 1272 lb Volume (Net): 0.32cu.yd
----------------------------------	---------------------------------	--	--	--