

**Job Name: 26-1981 851156 Blakenbaker Parkway**  
**Job Location: Louisville, KY**  
**Contractor: Contech Engineering Solutions**

PC: C. Goff  
 TECH: S. Felletter  
 Plant: Beaver Dam



Structure ID: **10-CS-3**  
 Spec: Storm-Pipe Centered  
 Type: STM.MH  
 Size: 36"

Rim: 692'  
 Invert: 688.75'  
 Rim to Invert: 3.25'

Sump: 38.04"  
 Floor (Top): 685.58'  
 Floor Height: 6"

Floor (Bot): 685.08'  
 Overall Height: 6.667'  
 Slack: 3.04"

Structure Notes:  
 4" CASTING BY OTHERS

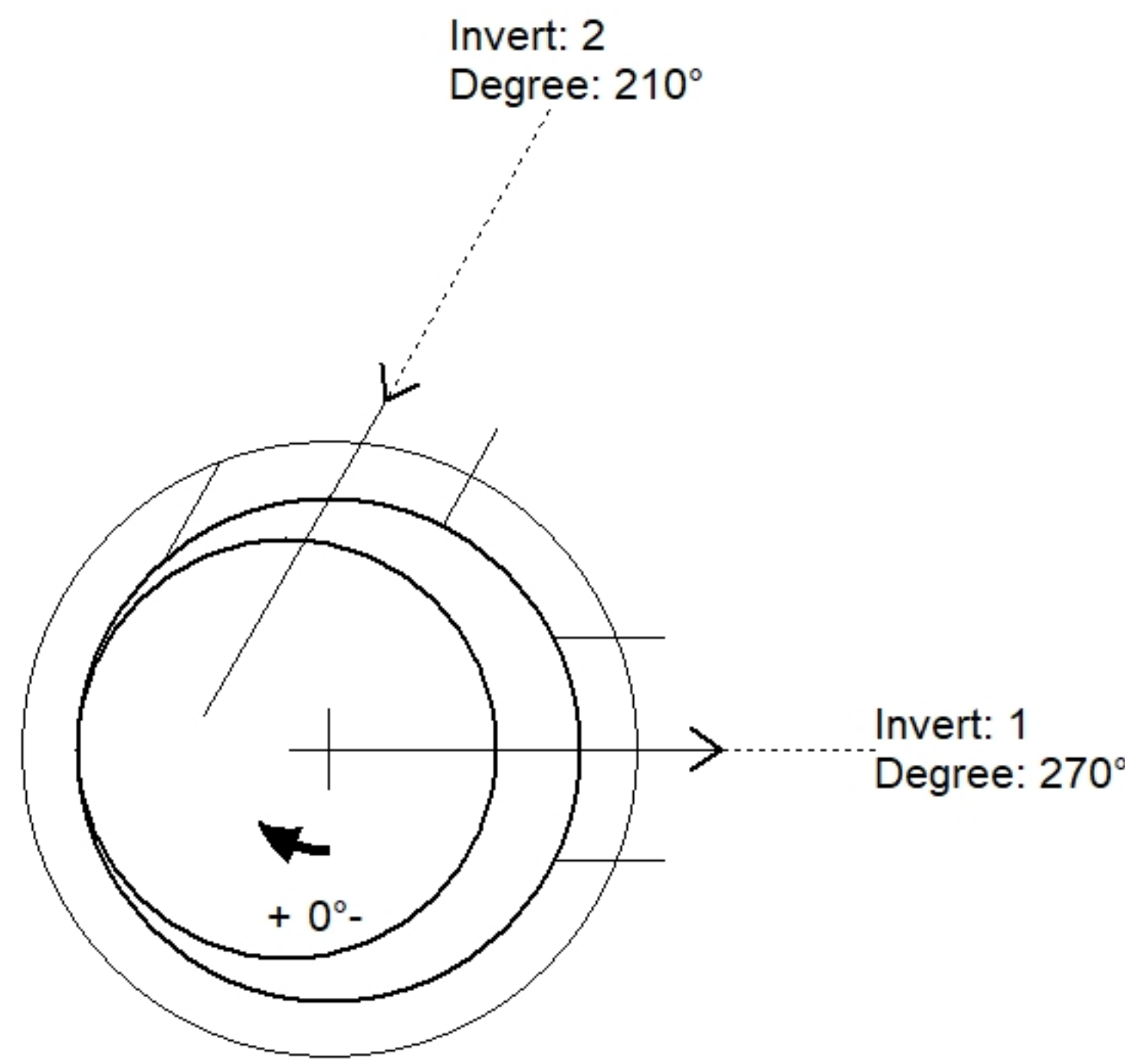
LIFTING ANCHORS TO BE INSTALLED  
 ON THE OUTSIDE OF THE STRUCTURE

ICAST TO INSTALL THE INTERNALS

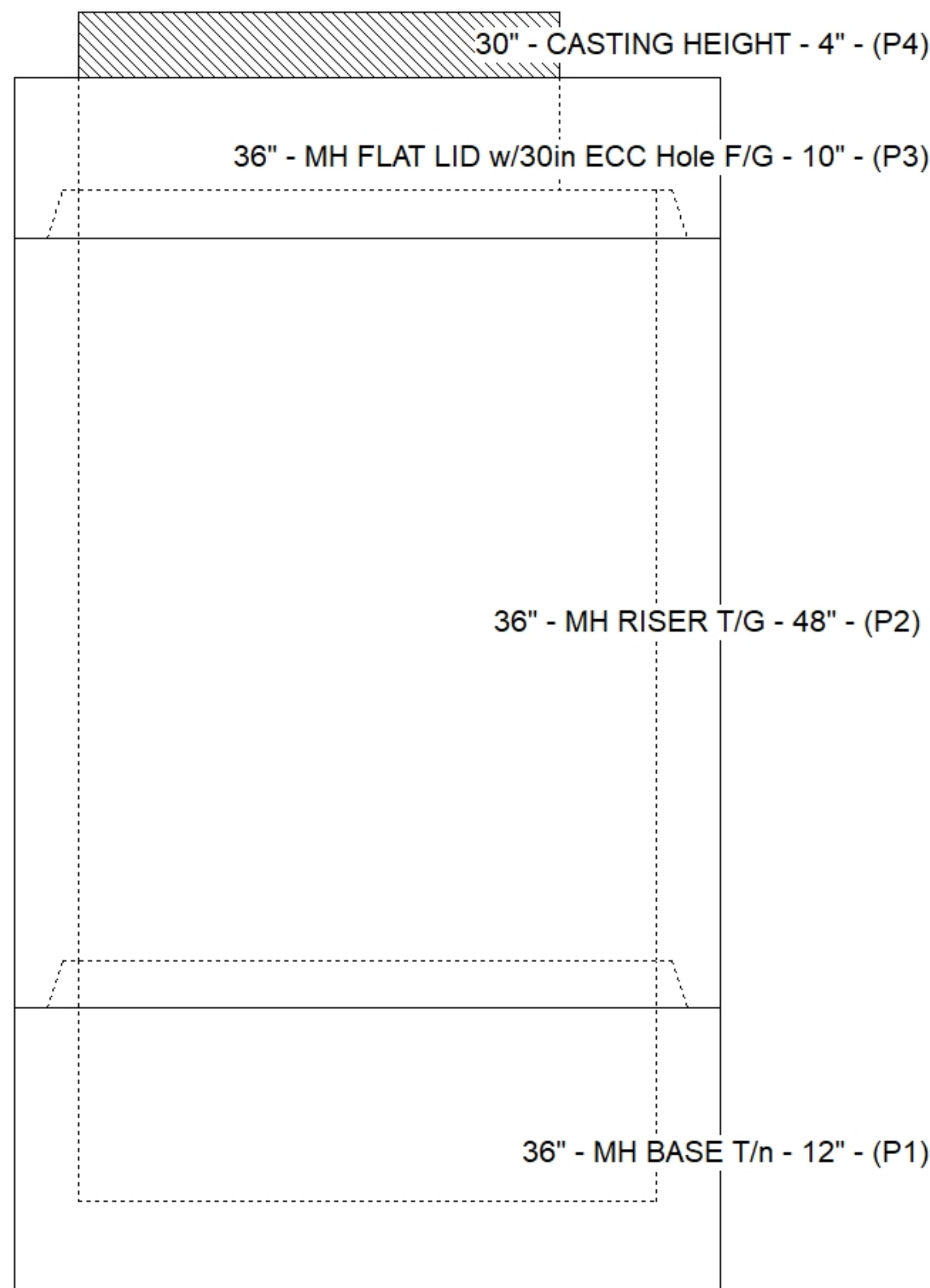
CONTECH'S LOGO AS WELL AS THE  
 INLET AND OUTLET MUST BE  
 STENCILED ONTO THE STRUCTURE

STRUCTURE SUMMARY:

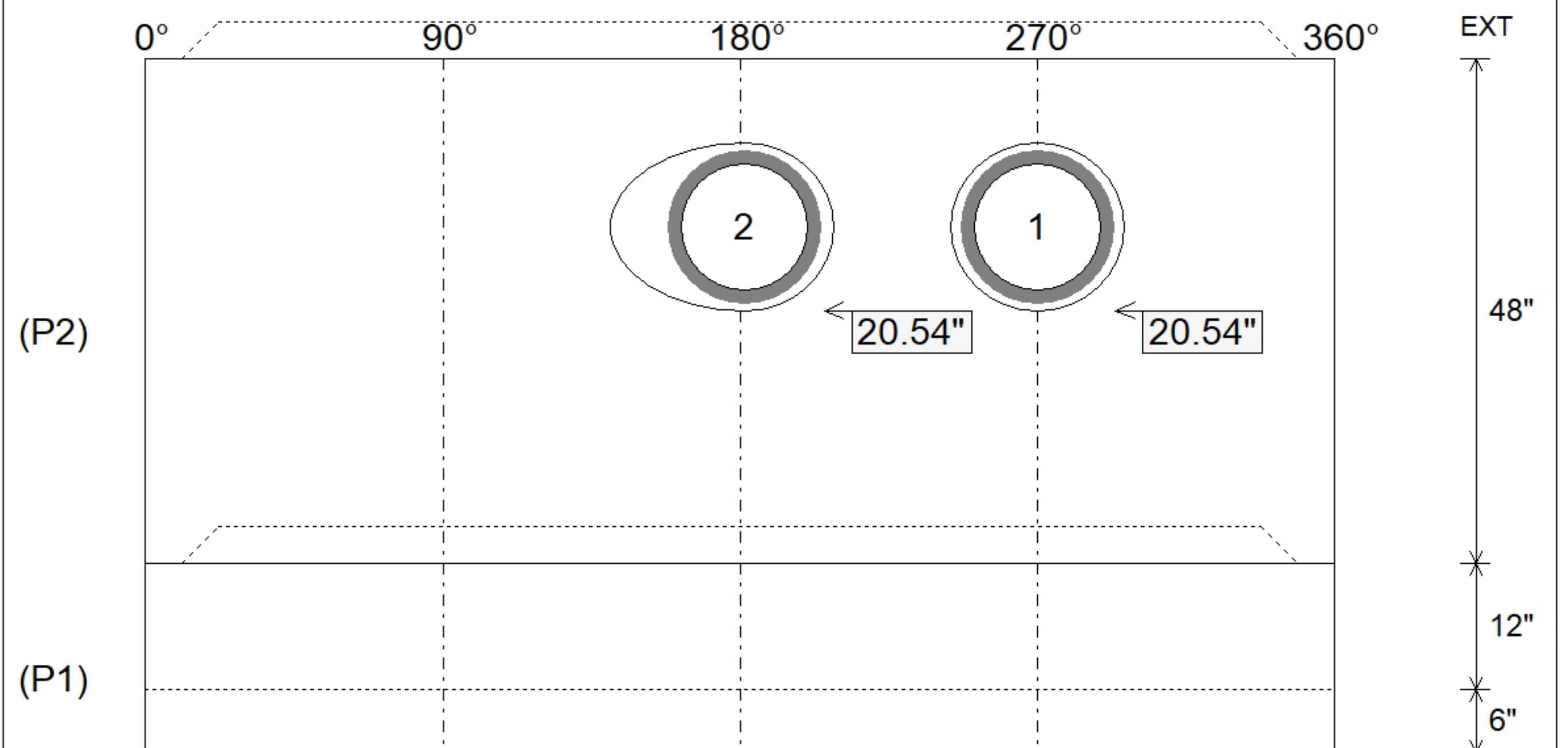
P4) 30" - CASTING HEIGHT - 4"	0 lb
P3) 36" - MH FLAT LID w/30in ECC Hole F/G - 10"	683 lb
P2) 36" - MH RISER T/G - 48"	1871 lb
P1) 36" - MH BASE T/n - 12"	1272 lb
1) CVSTENCILING	0 lb
1) ASSEMBLY REQUIRED	0 lb
2) Hole - 16	0 lb
<b>Structure Total:</b>	<b>3826 lb</b>



Position	Elev	Angle	Pipe	Pipe OD	Hole	Connector	Up (')	Ref
Rim	692'							
Reducer								
Invert 1	688.75'	270°	12" HDPE	14.5"	16"	Hole 16	20.54"	P2
Invert 2	688.75'	210°	12" HDPE	14.5"	16"	Hole 16	20.54"	P2
Invert 3								
Invert 4								
Invert 5								
Invert 6								
Invert 7								
Invert 8								



Default - Interior Dimensions



Submittal Drawing  
 4/20/2026 8:37:59 AM

SUBMITTAL  
 APPROVED BY: