

Job Name: 26-1981 851156 Blakenbaker Parkway
 Job Location: Louisville, KY
 Contractor: Contech Engineering Solutions

Plant: Beaver Dam

Tech: S. Felletter

4/17/2026 12:13:10 PM

PC: C. Goff



Structure ID: 10-CS-3

P3 MH036LD10-30ECC

MH FLAT LID w/30in ECC Hole F/G

- P4) 30" - CASTING HEIGHT - 4"
- P3) 36" - MH FLAT LID w/30in ECC Hole F/G - 10"
- P2) 36" - MH RISER T/G - 48"
- P1) 36" - MH BASE T/h - 12"
- 1) CVSTENCILING
- 1) ASSEMBLY REQUIRED
- 2) Hole - 16

0 lb
 683 lb
 1871 lb
 1272 lb
 0 lb
 0 lb
 0 lb

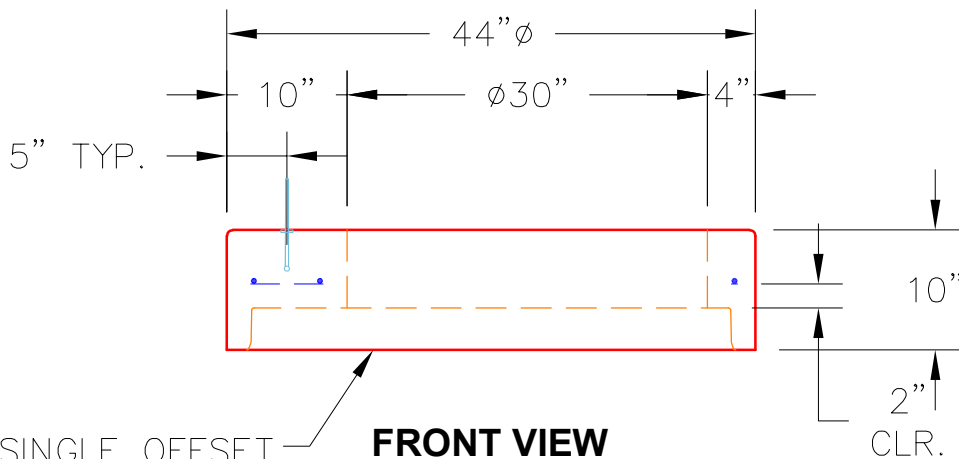
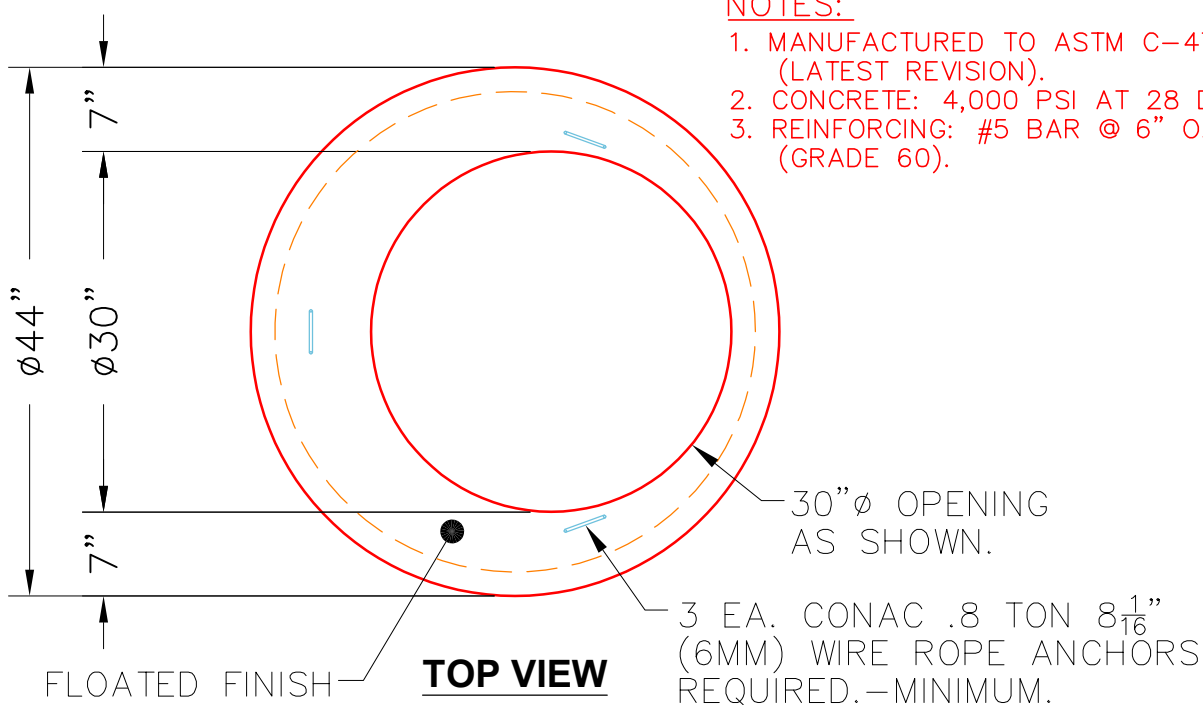
 Structure Total: 3826 lb

Structure Notes:
 4" CASTING BY OTHERS

 LIFTING ANCHORS TO BY INSTALLED
 ON THE OUTSIDE OF THE STRUCTURE

 ICAST TO INSTALL THE INTERNALS

 CONTECH'S LOGO AS WELL AS THE
 INLET AND OUTLET MUST BE
 STENCILED ONTO THE STRUCTURE



Coating (Int):
 Coating (Ext):

Seam Up: Flat
 Seam Dn: Groove

Wall Thickness: 4"

Height (Ext): 10"

Weight (Net): 683 lb
 Volume (Net): 0.17cu.yd