

Job Name: 26-1981 851156 Blakenbaker Parkway  
 Job Location: Louisville, KY  
 Contractor: Contech Engineering Solutions

Plant: Beaver Dam

Tech: S. Felletter

4/17/2026 12:13:21 PM

PC: C. Goff



**Structure ID: 10-CS-3**

**P2 MH036RS48**

**MH RISER T/G**

- P4) 30" - CASTING HEIGHT - 4"
- P3) 36" - MH FLAT LID w/30in ECC Hole F/G - 10"
- P2) 36" - MH RISER T/G - 48"
- P1) 36" - MH BASE T/n - 12"
- 1) CVSTENCILING
- 1) ASSEMBLY REQUIRED
- 2) Hole - 16

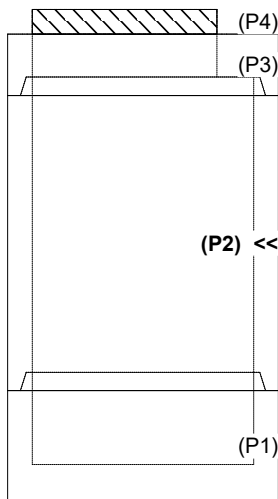
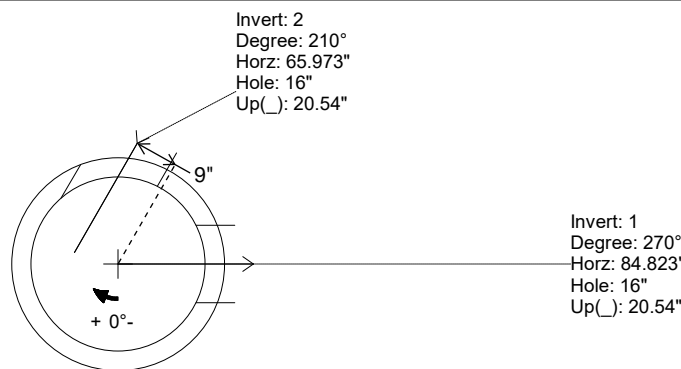
0 lb  
 683 lb  
 1871 lb  
 1272 lb  
 0 lb  
 0 lb  
 0 lb  
 -----  
 Structure Total: 3826 lb

**Structure Notes:**  
 4" CASTING BY OTHERS  
  
 LIFTING ANCHORS TO BY INSTALLED  
 ON THE OUTSIDE OF THE STRUCTURE  
  
 ICAST TO INSTALL THE INTERNALS  
  
 CONTECH'S LOGO AS WELL AS THE  
 INLET AND OUTLET MUST BE  
 STENCILED ONTO THE STRUCTURE

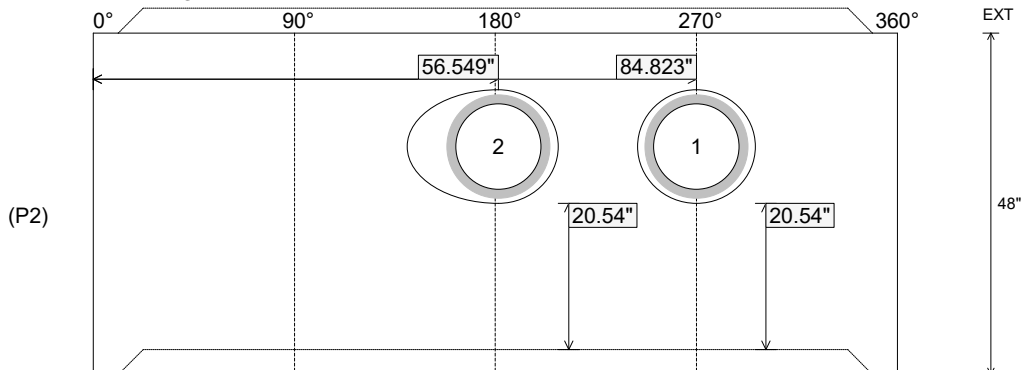
Rim: 692' Rim to Invert: 3.25' Slack: 3.04" Sump: 38.04" Step Position:

Position	Elev	Angle	Ext. (cw)	Pipe	Pipe OD	Connector	Hole	Horz Size	Up ( )	Offset
Invert 1	688.75'	270°	103.673"	12" HDPE	14.5"	Hole 16	16"	16.58"	20.54"	0"
Invert 2	688.75'	210°	71.362"	12" HDPE	14.5"	Hole 16	16"	21.246"	20.54"	-9"
Invert 3										
Invert 4										
Invert 5										
Invert 6										
Invert 7										
Invert 8										

**RIGHT-SIDE UP VIEW (int. dimensions)**



**INSIDE WALL DIMENSIONS**



Coating (Int):  
 Coating (Ext):

Seam Up: Tongue  
 Seam Dn: Groove

Wall Thickness: 4"  
 Floor Height: 0"

Height (Int): 48"  
 Height (Ext): 48"

Weight (Net): 1871 lb  
 Volume (Net): 0.48cu.yd