

**Job Name: 26-1980 833965 Carlock Dealership**  
**Job Location: Brentwood, TN**  
**Contractor: Contech Engineering Solutions**

PC: C. Goff  
 TECH: S. Felletter  
 Plant: Beaver Dam



Structure ID: **WQU2-2**  
 Spec: Storm  
 Type: STM.MH (Open Btm)  
 Size: 48"

Rim: 776.37'  
 Invert: 776.37'  
 Rim to Invert: 0'

Sump: 83.52"  
 Floor (Top): 769.41'  
 Floor Height: 0"

Floor (Bot): 769.41'  
 Overall Height: 6.833'  
 Slack: 1.52"

**Structure Notes:**

4" CASTING BY OTHERS

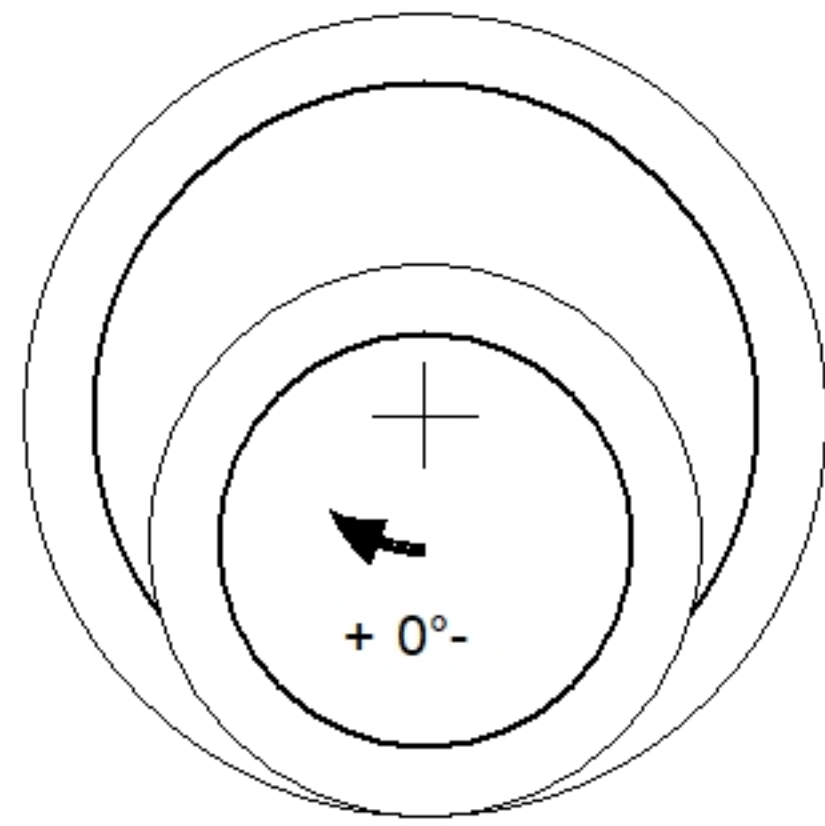
A. PER ASTM C478 SPECIFICATIONS.  
 B. CONCRETE = 4,000 PSI AT 28 DAYS.  
 C. NO STEPS

CONTECH'S LOGO MUST BE  
 STENCILED ONTO THE STRUCTURE

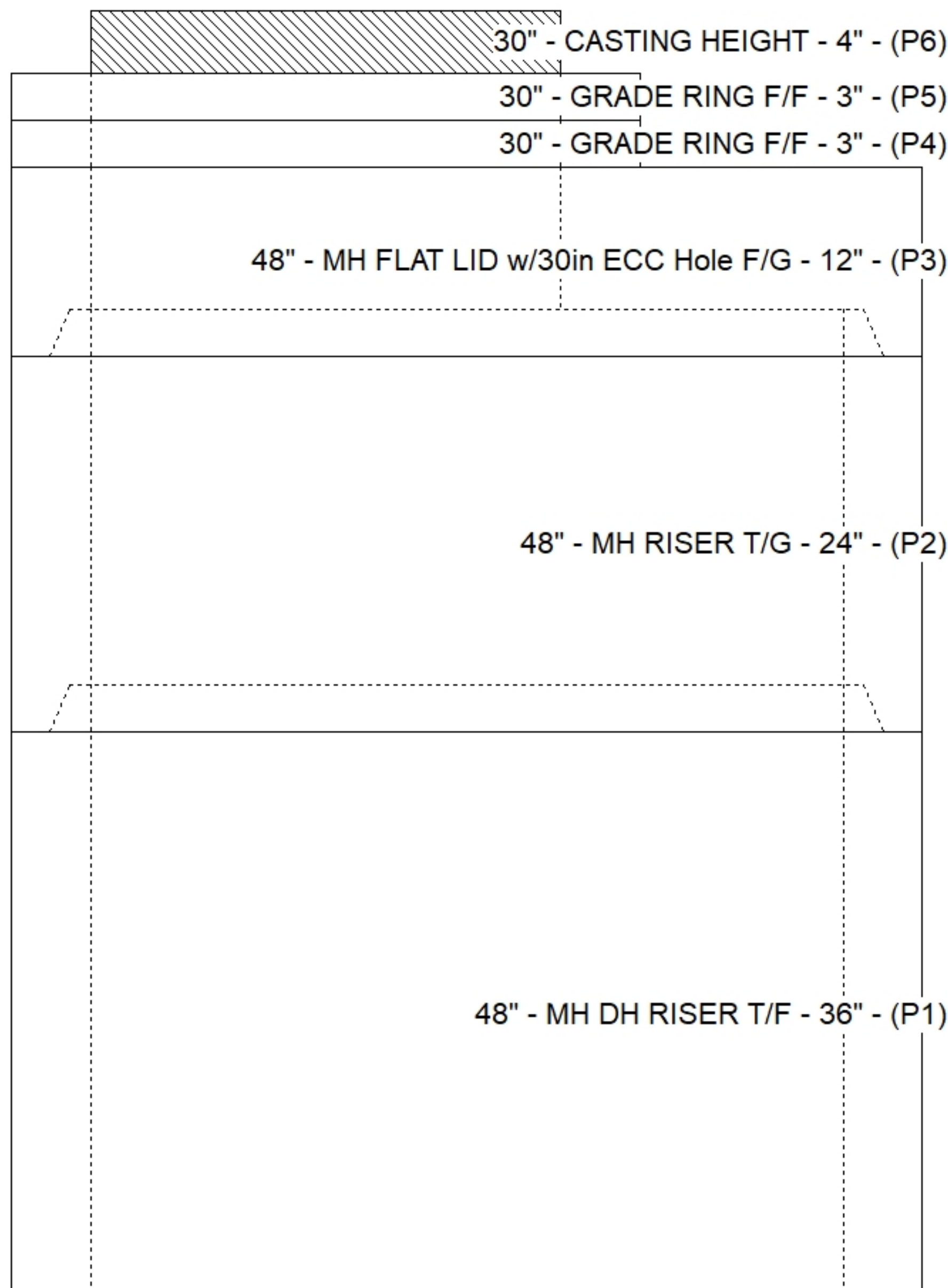
REINFORCING PER ASTM A615 (GRADE 60).  
 - TOP SLAB (As .62) #5 BARS AT 6" C.C.E.W.  
 - RISER/WALLS (As .12)

**STRUCTURE SUMMARY:**

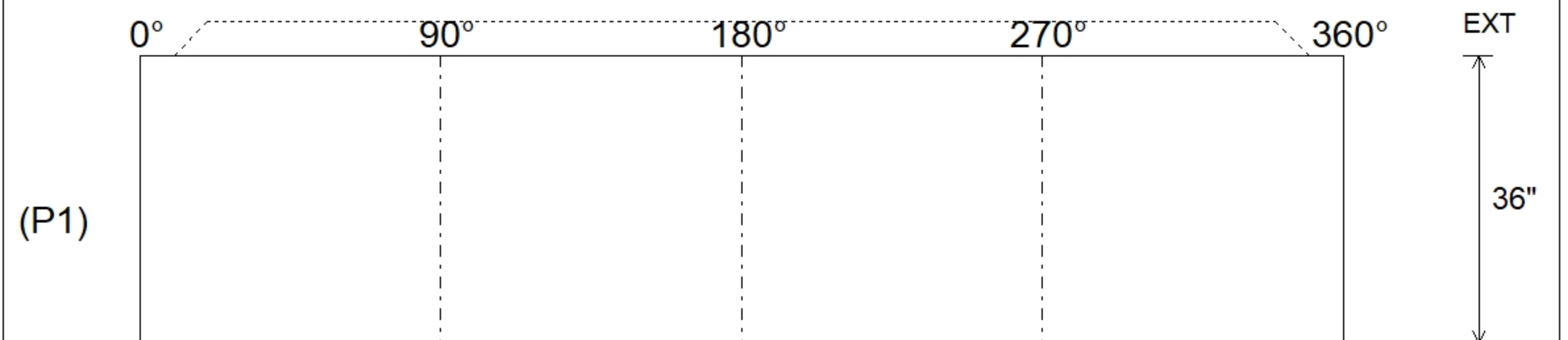
P6) 30" - CASTING HEIGHT - 4"	0 lb
P5) 30" - GRADE RING F/F - 3"	138 lb
P4) 30" - GRADE RING F/F - 3"	138 lb
P3) 48" - MH FLAT LID w/30in ECC Hole F/G - 12"	1413 lb
P2) 48" - MH RISER T/G - 24"	1677 lb
P1) 48" - MH DH RISER T/F - 36"	2515 lb
1) CVSTENCILING	0 lb
2) 48" - Conseal CS-102 1.00"	0 lb
<b>Structure Total:</b>	<b>5882 lb</b>



Position	Elev	Angle	Pipe	Pipe OD	Hole	Connector	Up ( )	Ref
Rim	776.37'							
Reducer								
Invert 1								
Invert 2								
Invert 3								
Invert 4								
Invert 5								
Invert 6								
Invert 7								
Invert 8								



**Default - Interior Dimensions**



Submittal Drawing  
 4/16/2026 8:28:25 AM

SUBMITTAL  
 APPROVED BY: