

Job Name: 26-1980 833965 Carlock Dealership
 Job Location: Brentwood, TN
 Contractor: Contech Engineering Solutions

Plant: Beaver Dam
 4/15/2026 3:54:08 PM

Tech: S. Felletter
 PC: C. Goff



Structure ID: WQU2-1

P3 MH048LD12-30

MH FLAT LID w/30in ECC Hole F/G

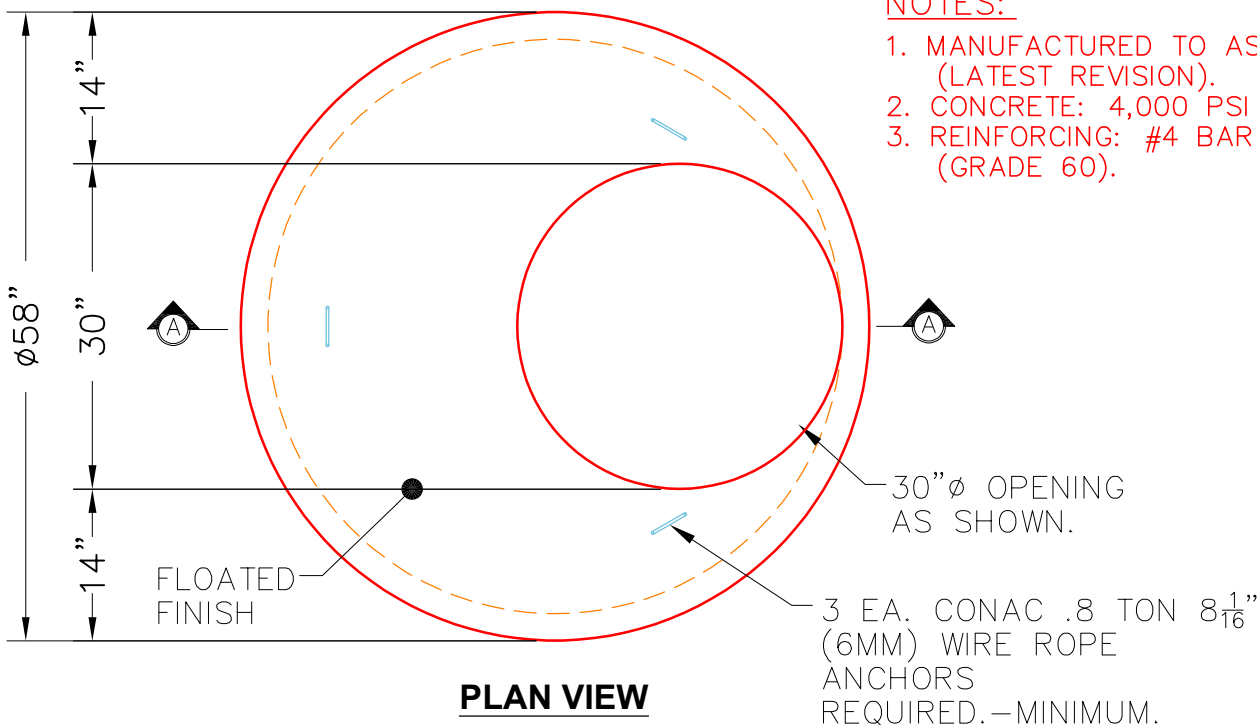
- P6) 30" - CASTING HEIGHT - 4"
- P5) 30" - GRADE RING F/F - 3"
- P4) 30" - GRADE RING F/F - 3"
- P3) 48" - MH FLAT LID w/30in ECC Hole F/G - 12"
- P2) 48" - MH RISER T/G - 24"
- P1) 48" - MH DH RISER T/F - 36"
- 1) CVSTENCILING
- 2) 48" - Conseal CS-102 1.00"

	0 lb
	138 lb
	138 lb
	1413 lb
	1677 lb
	2515 lb
	0 lb
	0 lb
Structure Total:	5882 lb

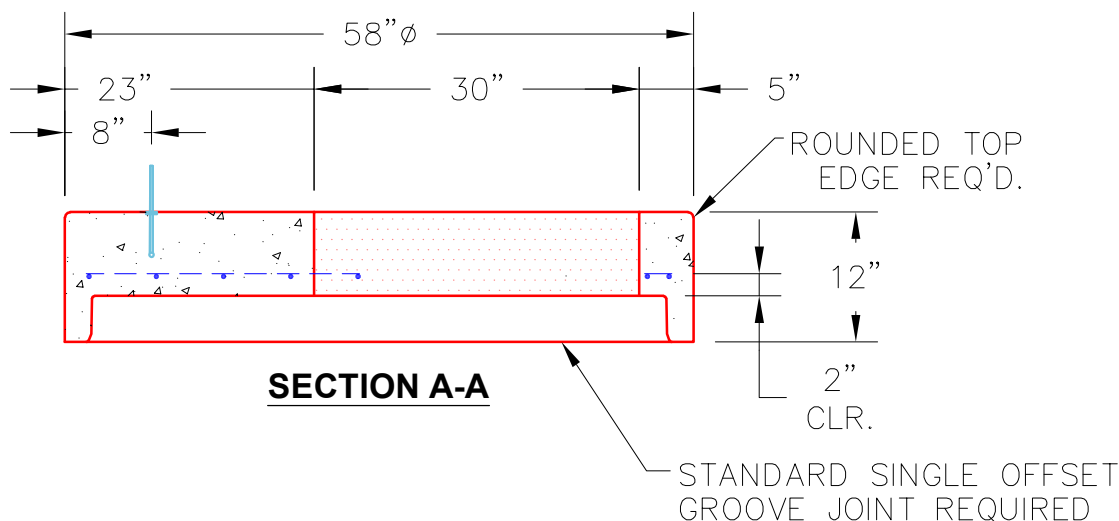
Structure Notes:
 4" CASTING BY OTHERS
 A. PER ASTM C478 SPECIFICATIONS.
 B. CONCRETE = 4,000 PSI AT 28 DAYS.
 C. NO STEPS

CONTECH'S LOGO MUST BE STENCILED ONTO THE STRUCTURE

REINFORCING PER ASTM A615 (GRADE 60).
 - TOP SLAB (As .62) #5 BARS AT 6" C.C.E.W.
 - RISER/WALLS (As .12)



- NOTES:**
1. MANUFACTURED TO ASTM C-478 (LATEST REVISION).
 2. CONCRETE: 4,000 PSI AT 28 DAYS.
 3. REINFORCING: #4 BAR @ 10" O.C. E.W. (GRADE 60).



Coating (Int):
 Coating (Ext):

Seam Up: Flat
 Seam Dn: Groove

Wall Thickness: 5"

Height (Ext): 12"

Weight (Net): 1413 lb
 Volume (Net): 0.36cu.yd