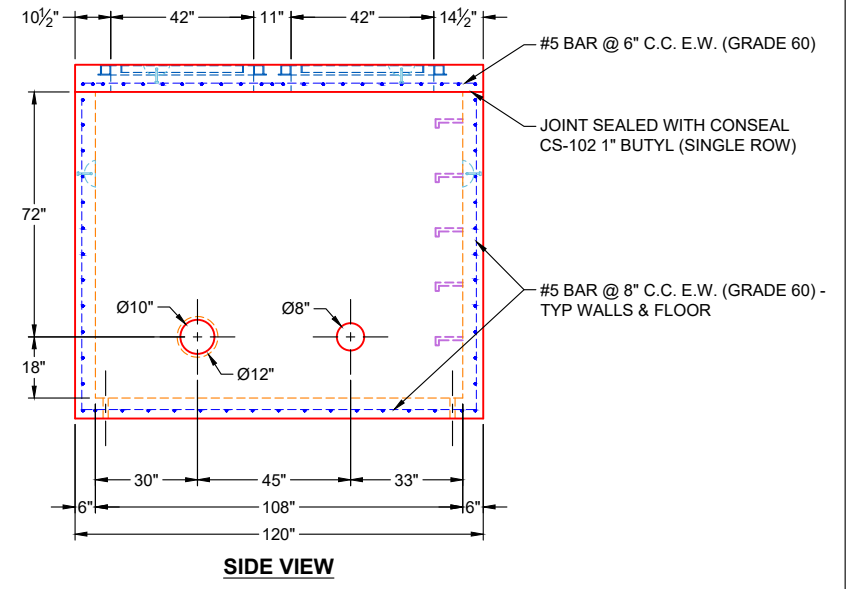
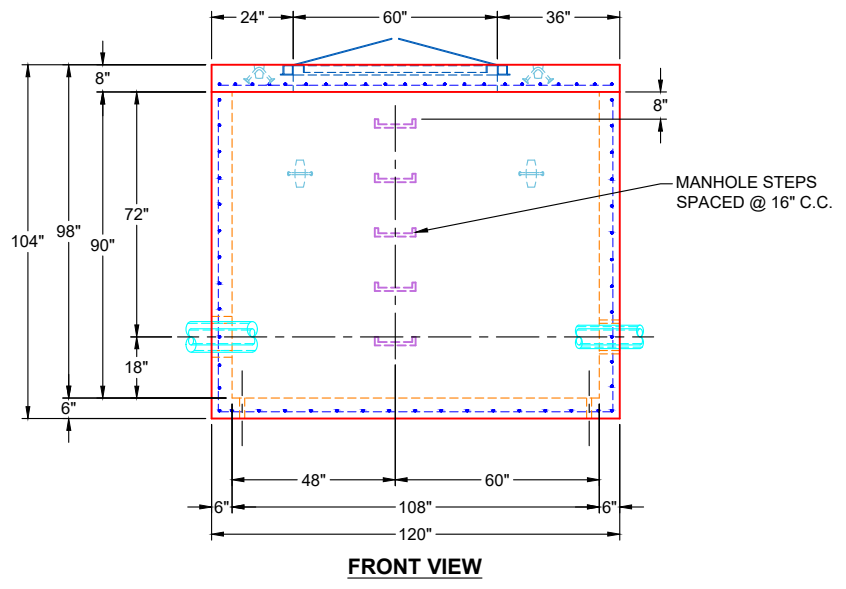


- GENERAL NOTES:**
1. MANUFACTURED PER ASTM C-913 SPECIFICATIONS
  2. CONCRETE: 5,000 PSI AT 28 DAYS
  3. REINFORCEMENT:
    - FLAT LID: #5 BAR @ 6" C.C. E.W. (GRADE 60)
    - BASE WALLS & FLOOR: #5 BAR @ 8" C.C. E.W. (GRADE 60)
  4. WEIGHTS:
 

8" FLAT LID	6,810 LBS
90" BASE (6" WALLS & FLOOR)	27,765 LBS
<b>TOTAL WEIGHT</b>	<b>34,575 LBS</b>
  5. 2 EA. HALLIDAY H2W 60" X 42" HATCHES SUPPLIED BY OTHERS - TO BE CAST INTO FLAT LID
  6. JOINT SEALANT: CONSEAL CS-102 - 1" (SINGLE ROW)
  7. MANHOLE STEPS REQUIRED



REVISION INFORMATION	
REV. $\Delta$ DATE:	NO REVISIONS TO DATE



SUBMITTAL DRAWING: 108" X 108" METER VAULT		
CUSTOMER: CORE & MAIN LP (NASHVILLE)		
PROJECT: MVUD COMBINED METER VAULT		
STRUCTURE: QL1		
QUOTE/SALES ORDER NO: 26-1978		
CHECKED BY: B. SMITH	DRAWN BY: K. CARDWELL	
DATE: 04/13/26	SCALE: NTS	PG. 1 OF 1