

**Job Name: 26-1961 - Dollar Tree**  
**Job Location: Hanson, KY**  
**Contractor: Steve Pleasant Excavating**

PC: E. Bradley  
 TECH: Jared - F  
 Plant: 100



Structure ID: 1 SS-MHD

Spec: Sanitary  
 Type: SAN.MH w/Ext. Drop  
 Size: 48"

Rim: 425.9'  
 Invert: 419.06'  
 Rim to Invert: 6.84'

Sump: 2"  
 Floor (Top): 418.893'  
 Floor Height: 6"

Floor (Bot): 418.393'  
 Overall Height: 7.5'  
 Slack: 0.08"

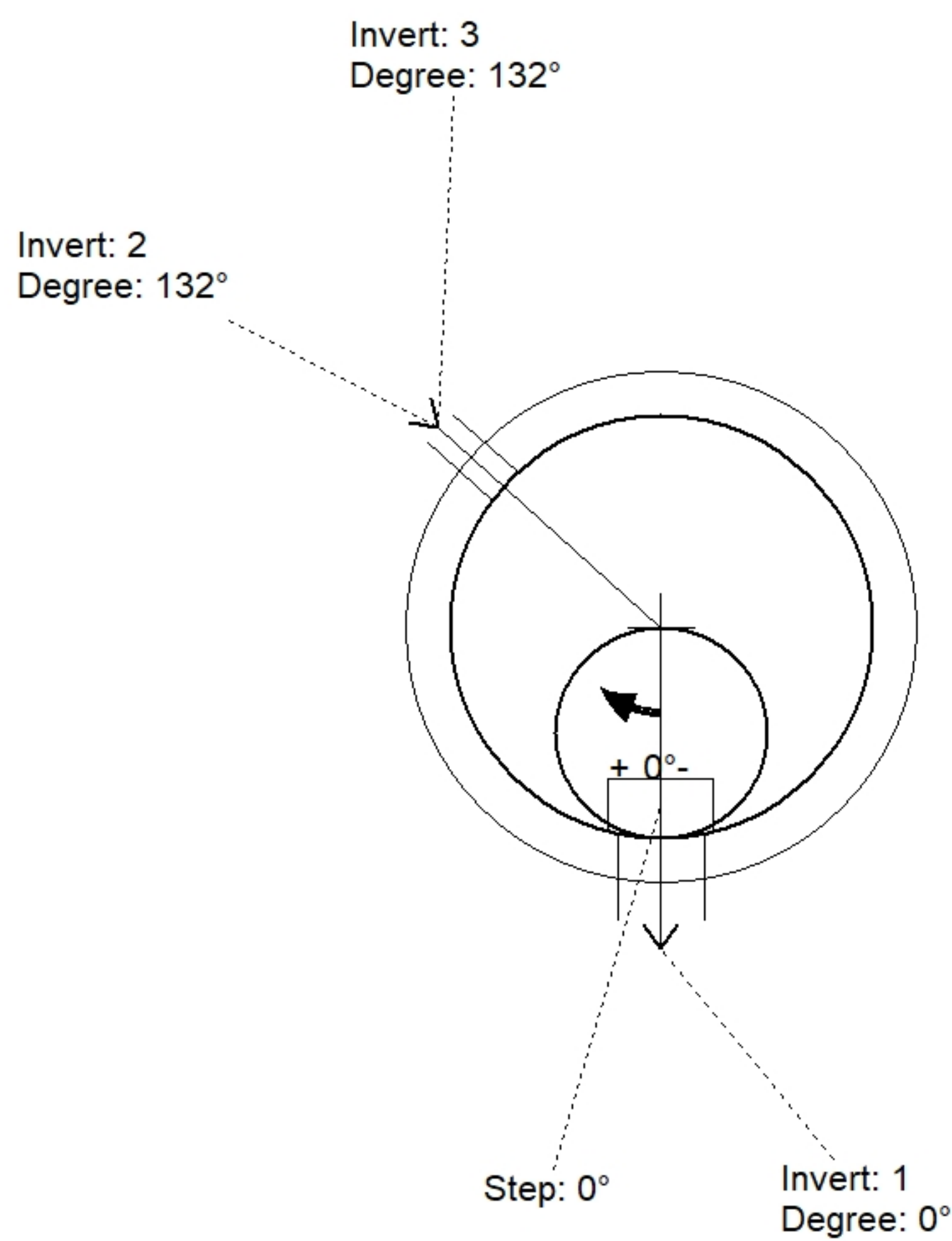
**Structure Notes:**

1. PER ASTM C478 SPECIFICATIONS.
2. CONCRETE = 4,000 PSI AT 28 DAYS.
3. CASTING BY ICAST (HOE MC-375 F/C SANITARY),
4. EXTERIOR DROP ASSEMBLY PROVIDED BY ICAST.

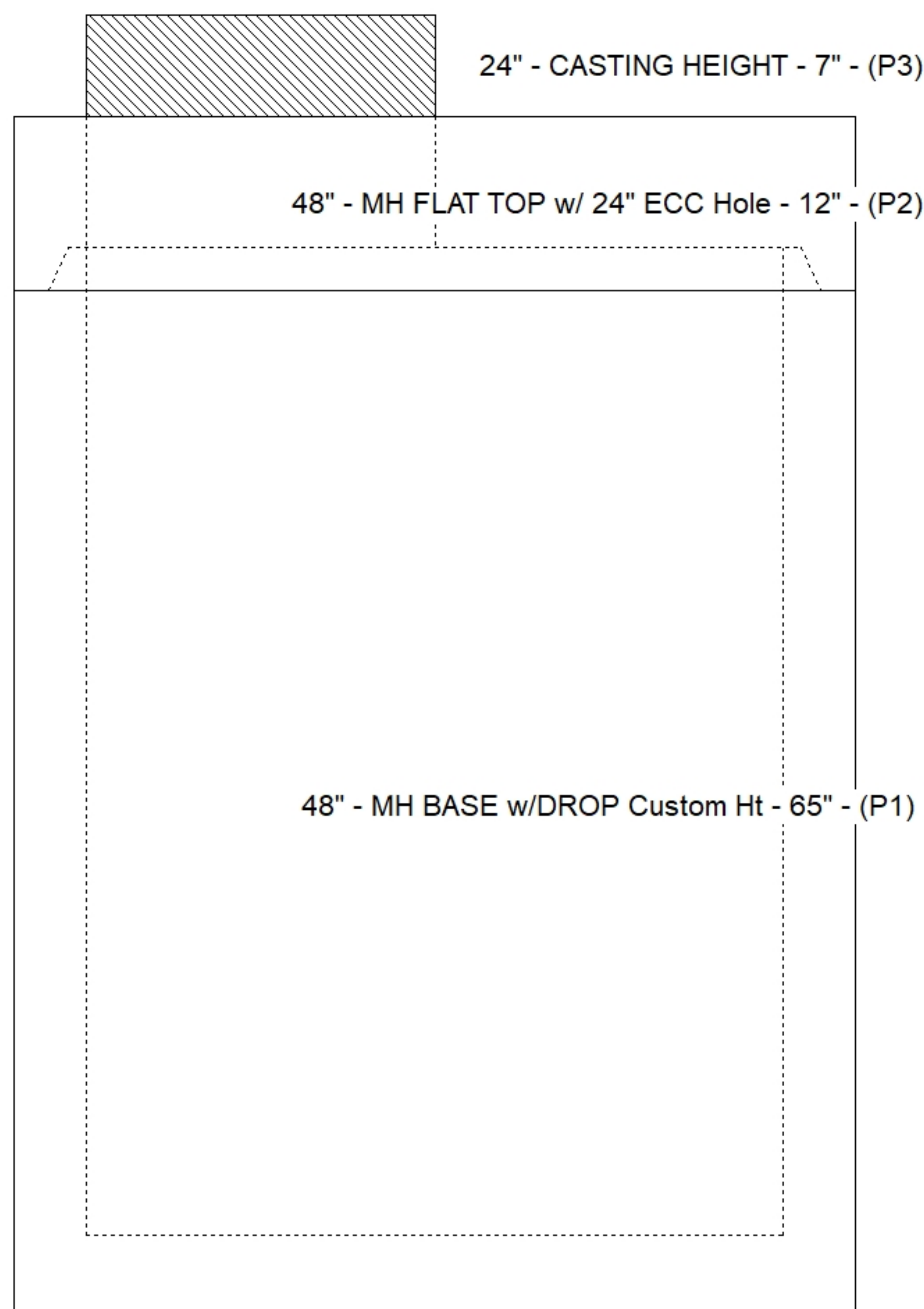
REINFORCING PER ASTM A615 (GRADE 60).  
 - TOP SLAB = H20 LOADING  
 - RISER/WALLS (As .12)  
 - FLOOR (As .31) #5 BARS AT 12" C.C.E.W.

**STRUCTURE SUMMARY:**

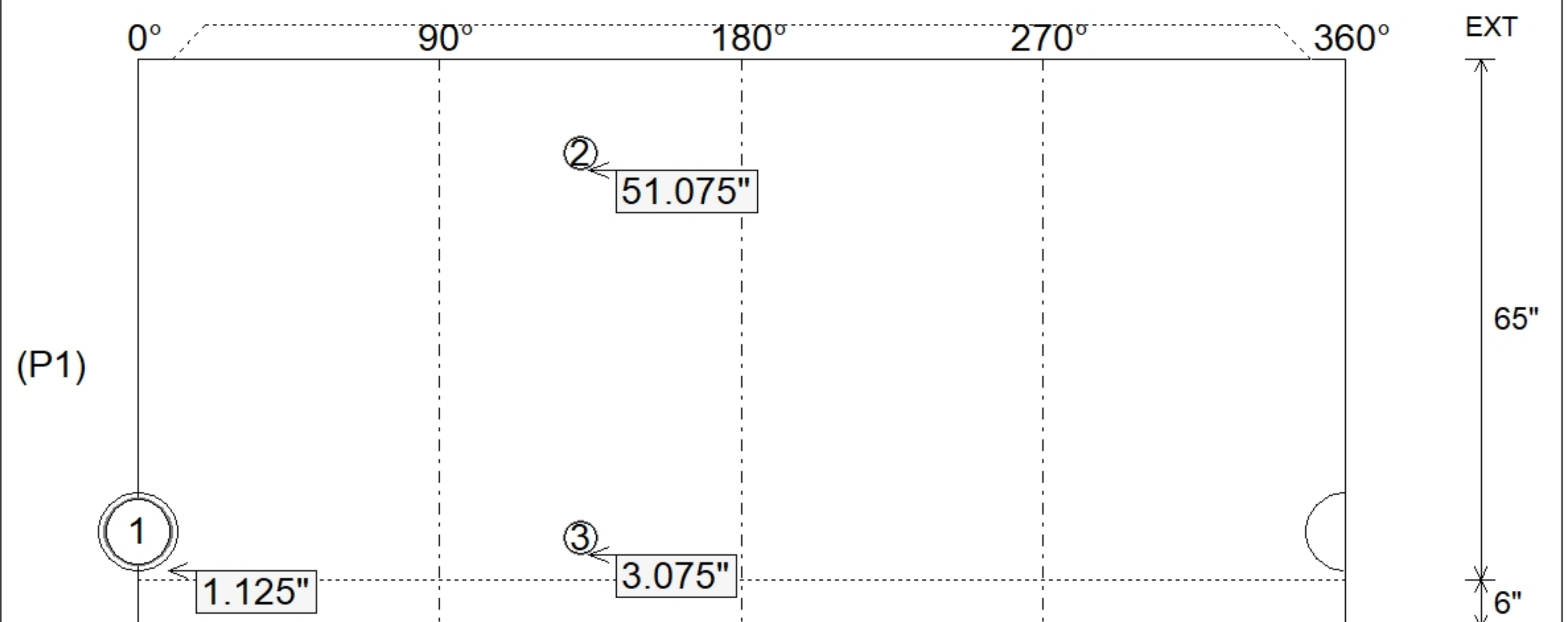
P3) 24" - CASTING HEIGHT - 7"	0 lb
P2) 48" - MH FLAT TOP w/ 24" ECC Hole - 12"	1561 lb
P1) 48" - MH BASE w/DROP Custom Ht - 65"	8888 lb
1) 48" - MH INVERT CHANNEL - FULL HEIGHT	1440 lb
1) JOINT WRAP - 12" WD x 048" MAC WRAP	0 lb
1) CASTING - HOE MC-375 F/C Sanitary	271 lb
1) 48" - Conseal CS-102 1.00" (Double)	0 lb
1) A-Lok - 0285	1 lb
1) Drop Tee - 4" PVC	0 lb
1) Drop Elbow - 4" PVC	0 lb
5) MH Step ML-10-TDS-NCR - 10"	0 lb
<b>Structure Total:</b>	<b>12161 lb</b>



Position	Elev	Angle	Pipe	Pipe OD	Hole	Connector	Up (")	Ref
Rim	425.9'							
Reducer								
Invert 1	419.06'	0°	8" PVC SDR26	8.5"	9.75"	A-Lok 0285	1.125"	P1
Invert 2	423.16'	132°	4" PVC SDR35	4.25"	4.25"	Drop Tee 4" PVC	51.075"	P1
Invert 3	419.16'	132°	4" PVC SDR35	4.25"	4.25"	Drop Elbow 4" PVC	3.075"	P1
Invert 4								
Invert 5								
Invert 6								
Invert 7								
Invert 8								



**Default - Interior Dimensions**



Submittal Drawing  
 4/30/2026 2:14:15 PM

SUBMITTAL  
 APPROVED BY: