

**Job Name: 26-1941 ADS Williams Mill**  
**Job Location: Antiock, TN**  
**Contractor: ADS Advanced Drainage Systems, Inc.**

PC: C. Goff  
 TECH: S. Felletter  
 Plant: Beaver Dam



Structure ID: K1A

Spec: Storm-Pipe Centered  
 Type: STM.MH  
 Size: 120"

Rim: 565'  
 Invert: 553.93'  
 Rim to Invert: 11.07'

Sump: 162"  
 Floor (Top): 540.43'  
 Floor Height: 12"

Floor (Bot): 539.43'  
 Overall Height: 25.417'  
 Slack: 1.84"

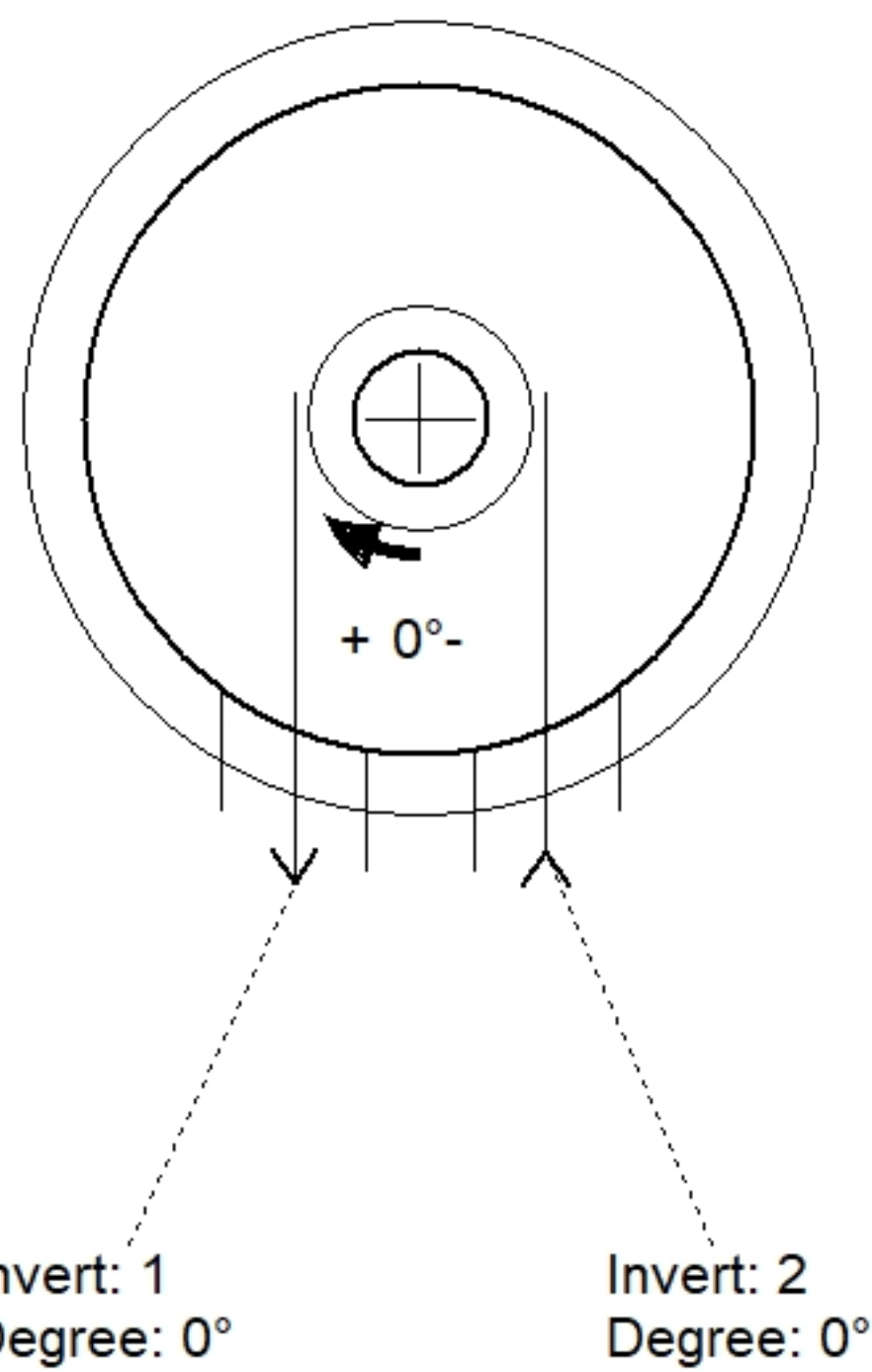
**Structure Notes:**

- PER ASTM C478 SPECIFICATIONS.
- CONCRETE = 4,000 PSI AT 28 DAYS.
- CASTING BY ICAST (HOE MC-375 F/C "STORM").

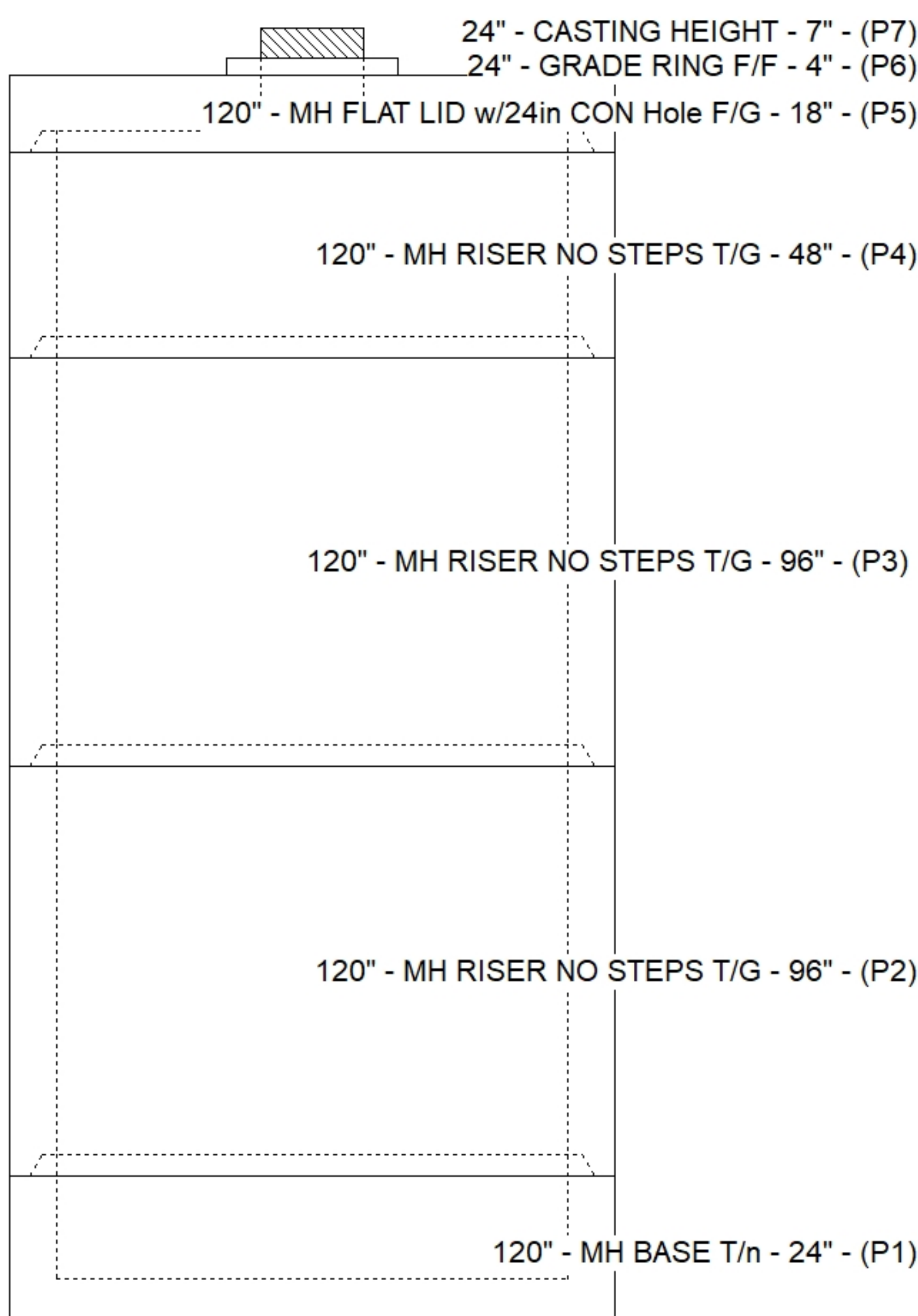
REINFORCING PER ASTM A615 (GRADE 60).  
 - TOP SLAB (As .62) #5 BARS AT 6" C.C.E.W..  
 - RISER/WALLS (As .36)  
 - FLOOR (As .47) #5 BARS AT 8" C.C.E.W.

**STRUCTURE SUMMARY:**

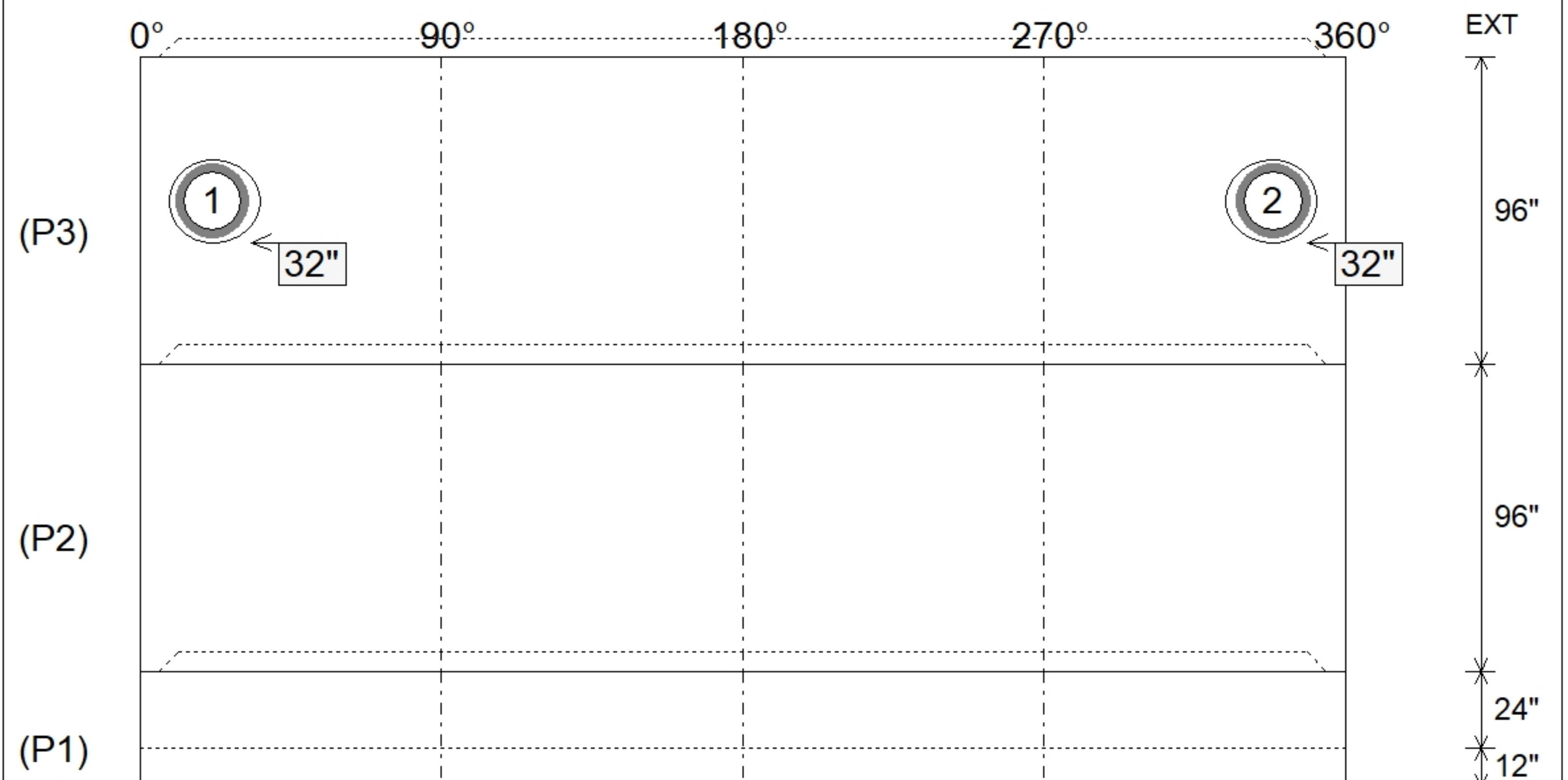
|  |                  |
|--|------------------|
| P7) 24" - CASTING HEIGHT - 7"                    | 0 lb             |
| P6) 24" - GRADE RING F/F - 4"                    | 270 lb           |
| P5) 120" - MH FLAT LID w/24in CON Hole F/G - 18" | 16678 lb         |
| P4) 120" - MH RISER NO STEPS T/G - 48"           | 18234 lb         |
| P3) 120" - MH RISER NO STEPS T/G - 96"           | 35410 lb         |
| P2) 120" - MH RISER NO STEPS T/G - 96"           | 36468 lb         |
| P1) 120" - MH BASE T/n - 24"                     | 25064 lb         |
| 1) JOINT WRAP - 0.065"x6"x50' CONSEAL CS212      | 0 lb             |
| 1) JOINT WRAP PRIMER - CONSEAL CS-75 (1 gal.)    | 0 lb             |
| 1) ASSEMBLY REQUIRED - BRACKETS ONLY             | 0 lb             |
| 1) CASTING - HOE MC-375 F/C Storm                | 271 lb           |
| 4) 120" - Conseal CS-102 1.00" (Double)          | 0 lb             |
| 2) Hole - 26                                     | 0 lb             |
| <b>Structure Total:</b>                          | <b>132394 lb</b> |



| Position | Elev    | Angle | Pipe           | Pipe OD | Hole | Connector | Up ( ) | Ref |
|----------|---------|-------|----------------|---------|------|-----------|--------|-----|
| Rim      | 565'    |       |                |         |      |           |        |     |
| Reducer  |         |       |                |         |      |           |        |     |
| Invert 1 | 553.93' | 0°    | 18" RCP B WALL | 23"     | 26"  | Hole 26   | 32"    | P3  |
| Invert 2 | 553.93' | 0°    | 18" RCP B WALL | 23"     | 26"  | Hole 26   | 32"    | P3  |
| Invert 3 |         |       |                |         |      |           |        |     |
| Invert 4 |         |       |                |         |      |           |        |     |
| Invert 5 |         |       |                |         |      |           |        |     |
| Invert 6 |         |       |                |         |      |           |        |     |
| Invert 7 |         |       |                |         |      |           |        |     |
| Invert 8 |         |       |                |         |      |           |        |     |



**Default - Interior Dimensions**



Submittal Drawing  
 4/20/2026 1:31:54 PM

SUBMITTAL  
 APPROVED BY: