

Job Name: 26-1941 ADS Williams Mill
 Job Location: Antiock, TN
 Contractor: ADS Advanced Drainage Systems, Inc.

Plant: Beaver Dam
 4/20/2026 9:50:11 AM

Tech: S. Felletter
 PC: C. Goff



Structure ID: K1A

P3 MH120RS96

MH RISER NO STEPS T/G

P7) 24" - CASTING HEIGHT - 7"	0 lb
P6) 24" - GRADE RING F/F - 4"	270 lb
P5) 120" - MH FLAT LID w/24in CON Hole F/G - 18"	16678 lb
P4) 120" - MH RISER NO STEPS T/G - 48"	18234 lb
P3) 120" - MH RISER NO STEPS T/G - 96"	35410 lb
P2) 120" - MH RISER NO STEPS T/G - 96"	36468 lb
P1) 120" - MH BASE T/n - 24"	25064 lb
1) JOINT WRAP - 0.065"x6"x50' CONSEAL CS212	0 lb
1) JOINT WRAP PRIMER - CONSEAL CS-75 (1 gal.)	0 lb
1) ASSEMBLY REQUIRED - BRACKETS ONLY	0 lb
1) CASTING - HOE MC-375 F/C Storm	271 lb
4) 120" - Conseal CS-102 1.00" (Double)	0 lb
2) Hole - 26	0 lb
Structure Total:	132394 lb

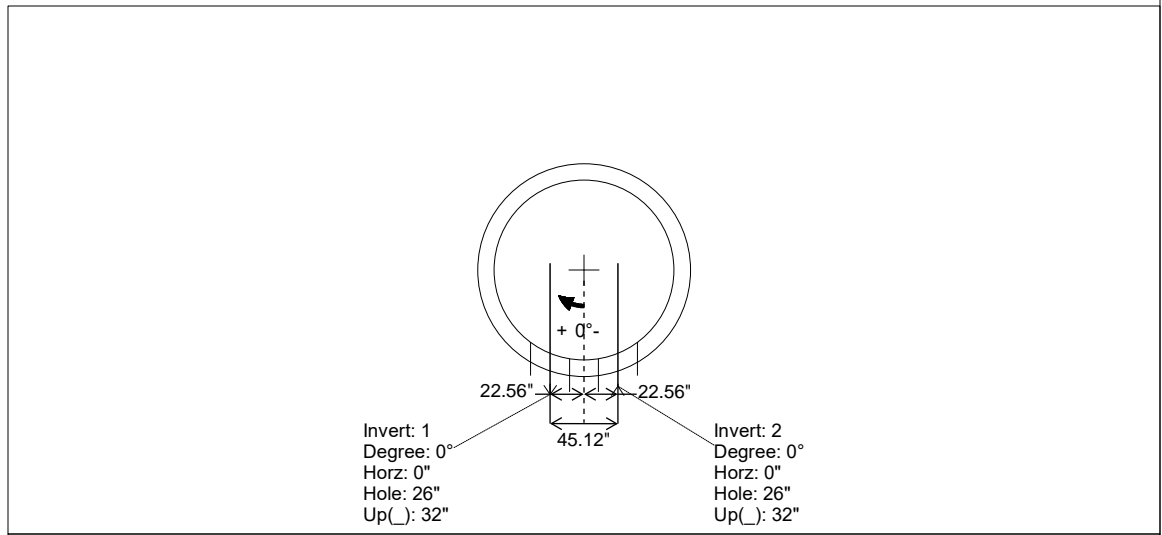
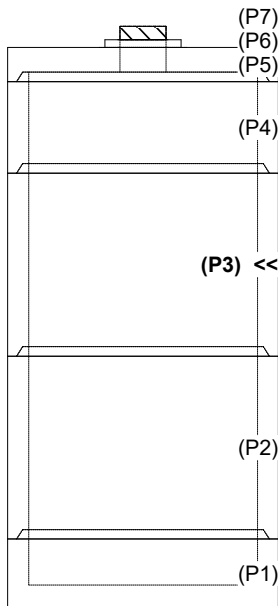
Structure Notes:
 1. PER ASTM C478 SPECIFICATIONS.
 2. CONCRETE = 4,000 PSI AT 28 DAYS.
 3. CASTING BY ICAST (HOE MC-375 F/C "STORM").

REINFORCING PER ASTM A615 (GRADE 60).
 - TOP SLAB (As .62) #5 BARS AT 6" C.C.E.W..
 - RISER/WALLS (As .36)
 - FLOOR (As .47) #5 BARS AT 8" C.C.E.W.

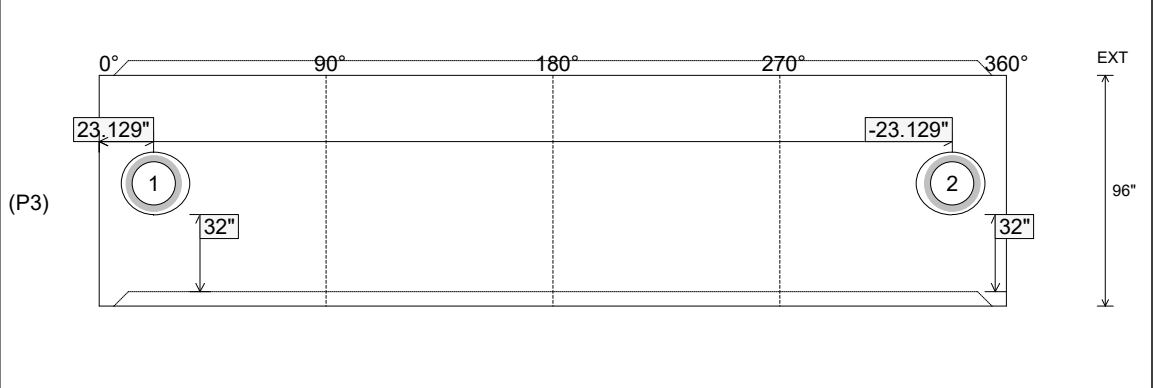
Rim: 565' Rim to Invert: 11.07' Slack: 1.84" Sump: 162" Step Position:

Position	Elev	Angle	Ext. (cw)	Pipe	Pipe OD	Connector	Hole	Horz Size	Up (↓)	Offset
Invert 1	553.93'	0°	22.958"	18" RCP B WALL	23"	Hole 26	26"	28.461"	32"	22.56"
Invert 2	553.93'	0°	-22.958"	18" RCP B WALL	23"	Hole 26	26"	28.461"	32"	-22.56"
Invert 3										
Invert 4										
Invert 5										
Invert 6										
Invert 7										
Invert 8										

RIGHT-SIDE UP VIEW (int. dimensions)



INSIDE WALL DIMENSIONS



Coating (Int): Coating (Ext):	Seam Up: Tongue Seam Dn: Groove	Wall Thickness: 11" Floor Height: 0"	Height (Int): 96" Height (Ext): 96"	Weight (Net): 35410 lb Volume (Net): 9.04cu.yd
----------------------------------	------------------------------------	---	--	---