

Job Name: 26-1941 ADS Williams Mill
Job Location: Antiock, TN
Contractor: ADS Advanced Drainage Systems, Inc.

PC: C. Goff
 TECH: S. Felletter
 Plant: Beaver Dam



Structure ID: **A1A**
 Spec: Storm-Pipe Centered
 Type: STM.MH
 Size: 120"

Rim: 564.5'
 Invert: 555.13'
 Rim to Invert: 9.37'

Sump: 162"
 Floor (Top): 541.63'
 Floor Height: 12"

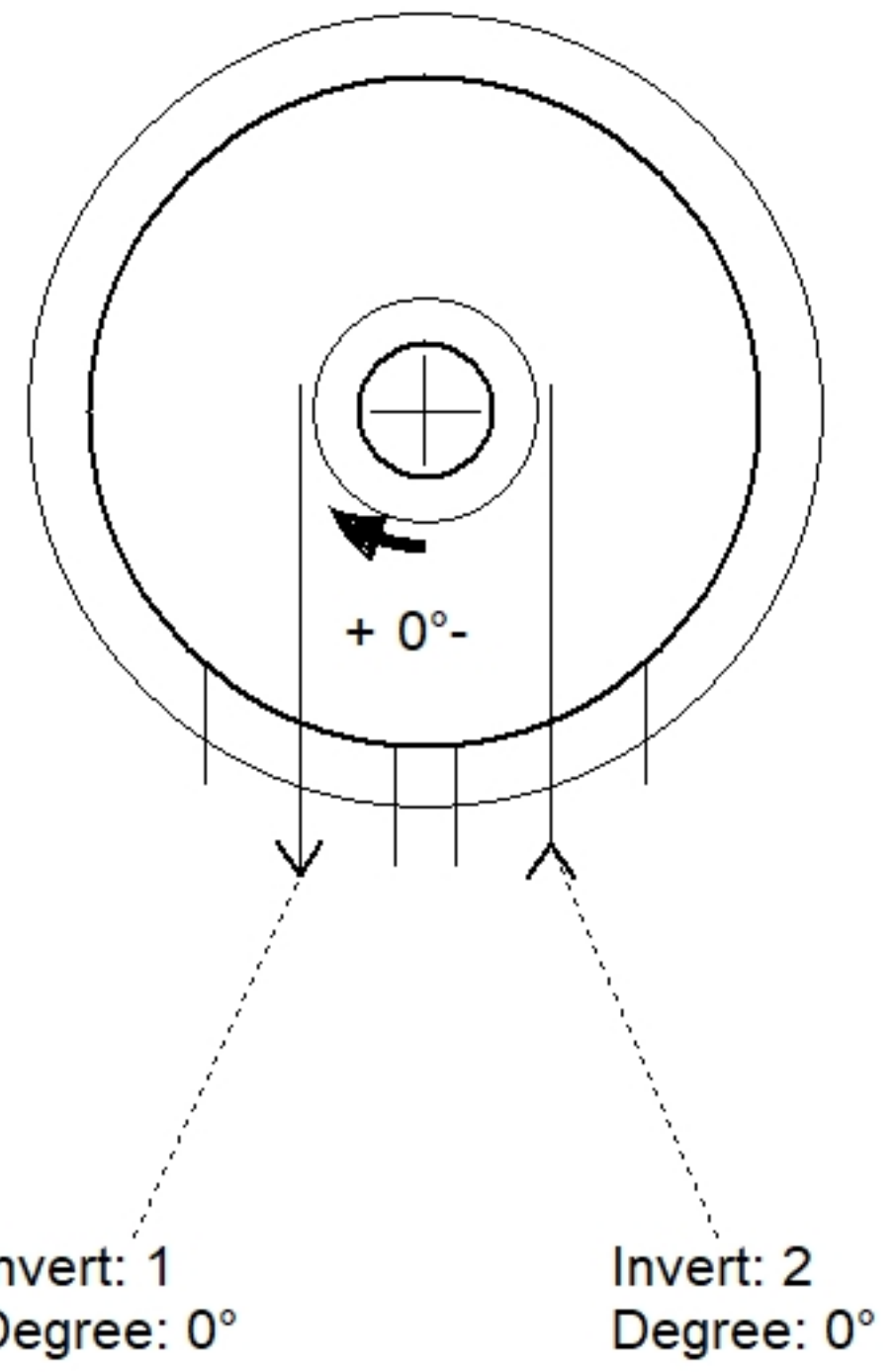
Floor (Bot): 540.63'
 Overall Height: 23.833'
 Slack: 0.44"

Structure Notes:
 1. PER ASTM C478 SPECIFICATIONS.
 2. CONCRETE = 4,000 PSI AT 28 DAYS.
 3. CASTING BY ICAST (HOE MC-375 F/C "STORM").

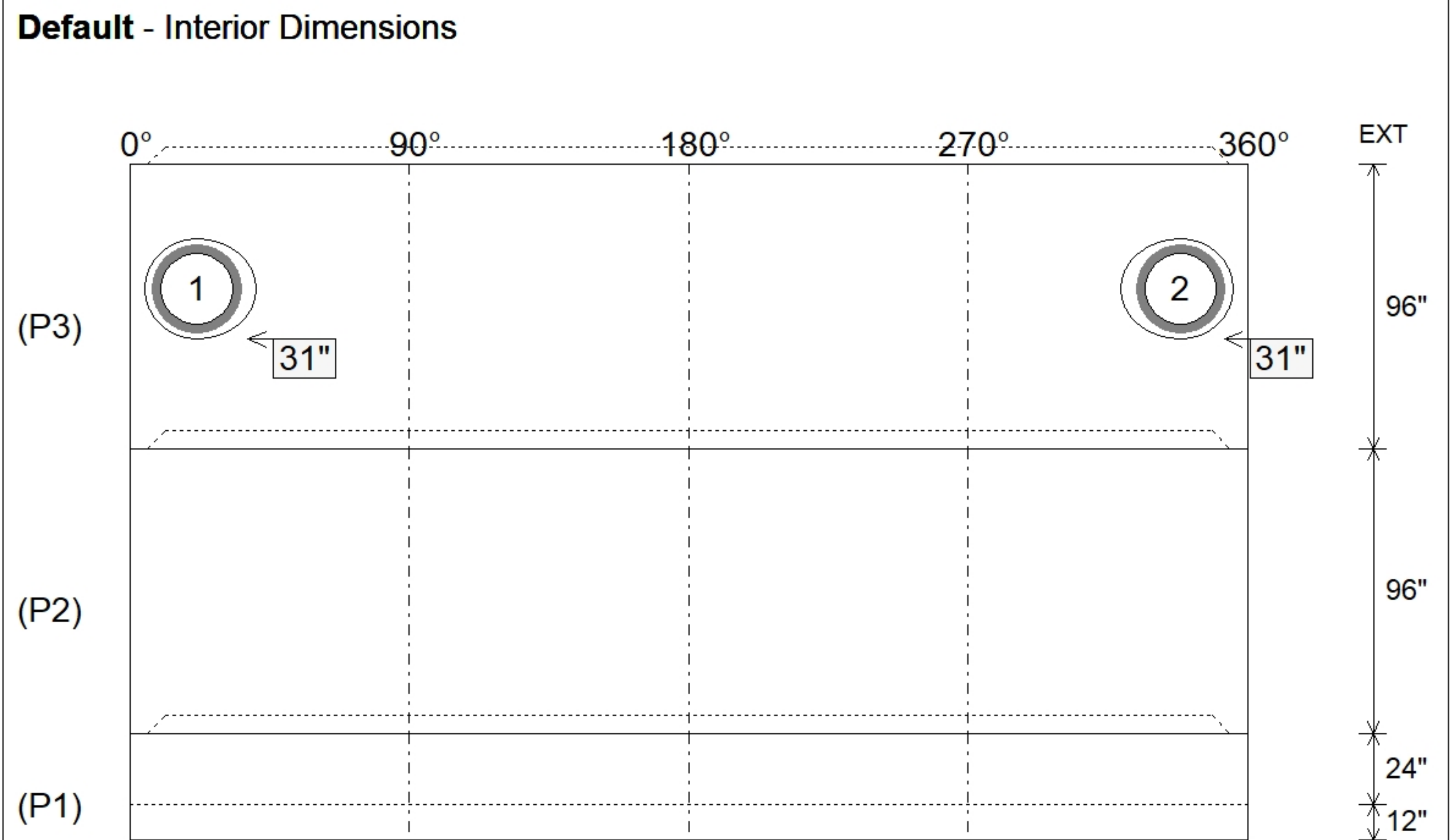
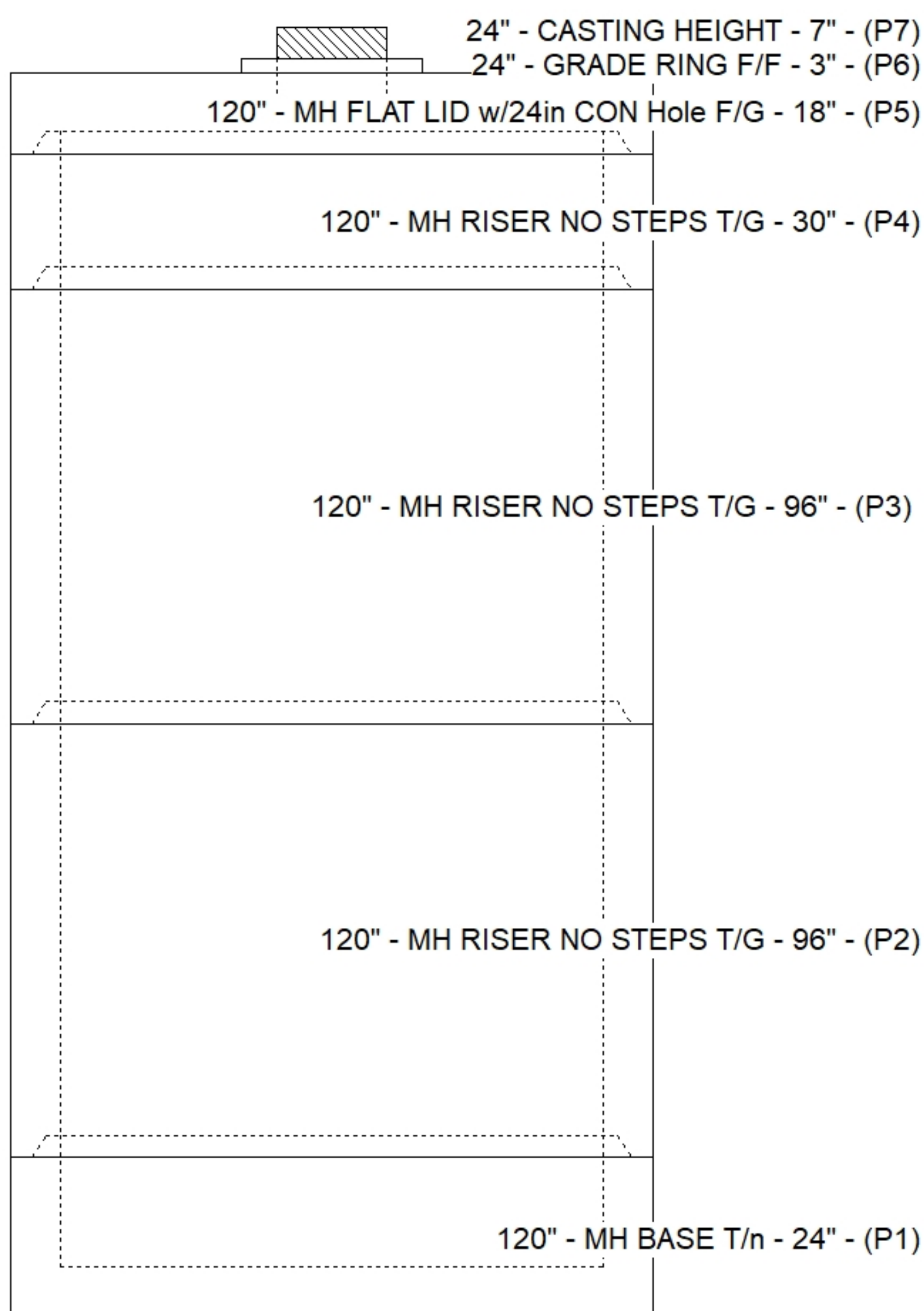
REINFORCING PER ASTM A615 (GRADE 60).
 - TOP SLAB (As .62) #5 BARS AT 6" C.C.E.W..
 - RISER/WALLS (As .36)
 - FLOOR (As .47) #5 BARS AT 8" C.C.E.W.

STRUCTURE SUMMARY:

P7) 24" - CASTING HEIGHT - 7"	0 lb
P6) 24" - GRADE RING F/F - 3"	202 lb
P5) 120" - MH FLAT LID w/24in CON Hole F/G - 18"	16678 lb
P4) 120" - MH RISER NO STEPS T/G - 30"	11396 lb
P3) 120" - MH RISER NO STEPS T/G - 96"	34643 lb
P2) 120" - MH RISER NO STEPS T/G - 96"	36468 lb
P1) 120" - MH BASE T/n - 24"	25064 lb
1) JOINT WRAP - 0.065"x6"x50' CONSEAL CS212	0 lb
1) JOINT WRAP PRIMER - CONSEAL CS-75 (1 gal.)	0 lb
1) ASSEMBLY REQUIRED - BRACKETS ONLY	0 lb
1) CASTING - HOE MC-375 F/C Storm	271 lb
4) 120" - Conseal CS-102 1.00" (Double)	0 lb
2) Hole - 34	0 lb
Structure Total:	124722 lb



Position	Elev	Angle	Pipe	Pipe OD	Hole	Connector	Up ()	Ref
Rim	564.5'							
Reducer								
Invert 1	555.13'	0°	24" RCP B WALL	30"	34"	Hole 34	31"	P3
Invert 2	555.13'	0°	24" RCP B WALL	30"	34"	Hole 34	31"	P3
Invert 3								
Invert 4								
Invert 5								
Invert 6								
Invert 7								
Invert 8								



Submittal Drawing
 4/20/2026 1:31:53 PM

SUBMITTAL
 APPROVED BY: