

Structure ID: A1A

P1 MH120BVF

MH BASE T/n

P7) 24" - CASTING HEIGHT - 7" P6) 24" - GRADE RING F/F - 3" P5) 120" - MH FLAT LID w/24in CON Hole F/G - 18" P4) 120" - MH RISER NO STEPS T/G - 30" P3) 120" - MH RISER NO STEPS T/G - 96" P2) 120" - MH RISER NO STEPS T/G - 96" P1) 120" - MH BASE T/n - 24" 1) JOINT WRAP - 0.065"x6"x50' CONSEAL CS212 1) JOINT WRAP PRIMER - CONSEAL CS-75 (1 gal.) 1) ASSEMBLY REQUIRED - BRACKETS ONLY 1) CASTING - HOE MC-375 F/C Storm 4) 120" - Conseal CS-102 1.00" (Double) 2) Hole - 34	0 lb 202 lb 16678 lb 11396 lb 34643 lb 36468 lb 25064 lb 0 lb 0 lb 0 lb 271 lb 0 lb 0 lb ----- Structure Total: 124722 lb
--	---

Structure Notes:

1. PER ASTM C478 SPECIFICATIONS.
2. CONCRETE = 4,000 PSI AT 28 DAYS.
3. CASTING BY ICAST (HOE MC-375 F/C "STORM").

REINFORCING PER ASTM A615 (GRADE 60).

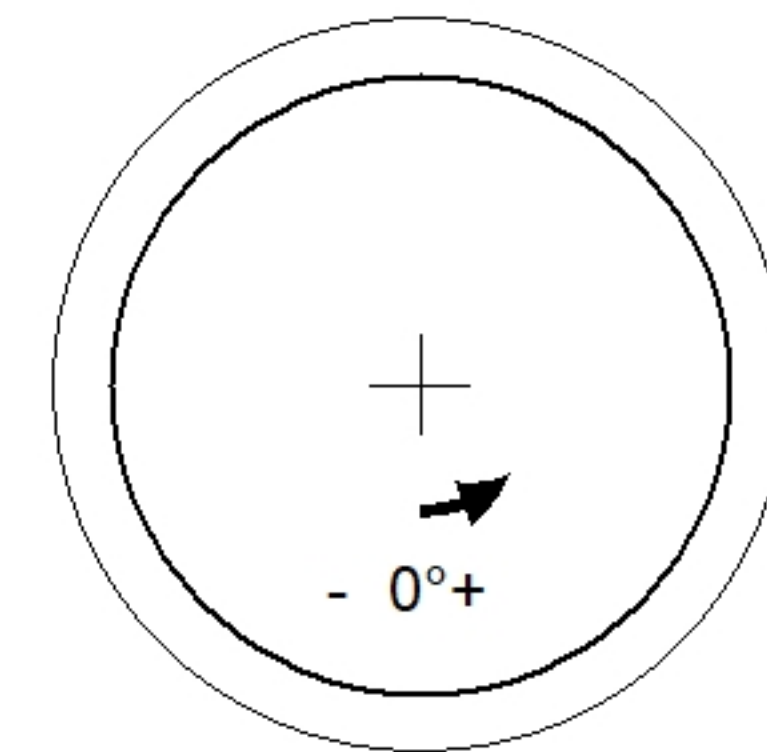
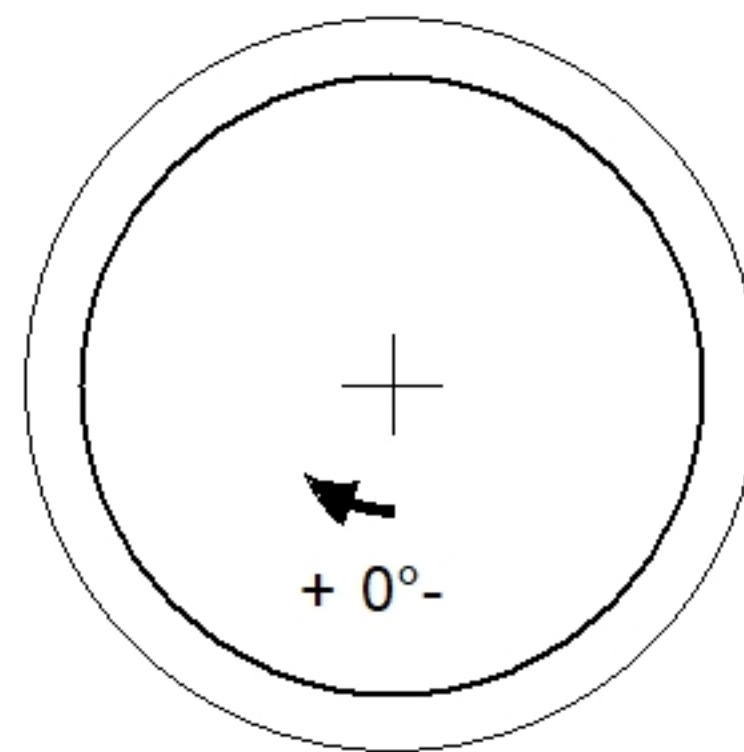
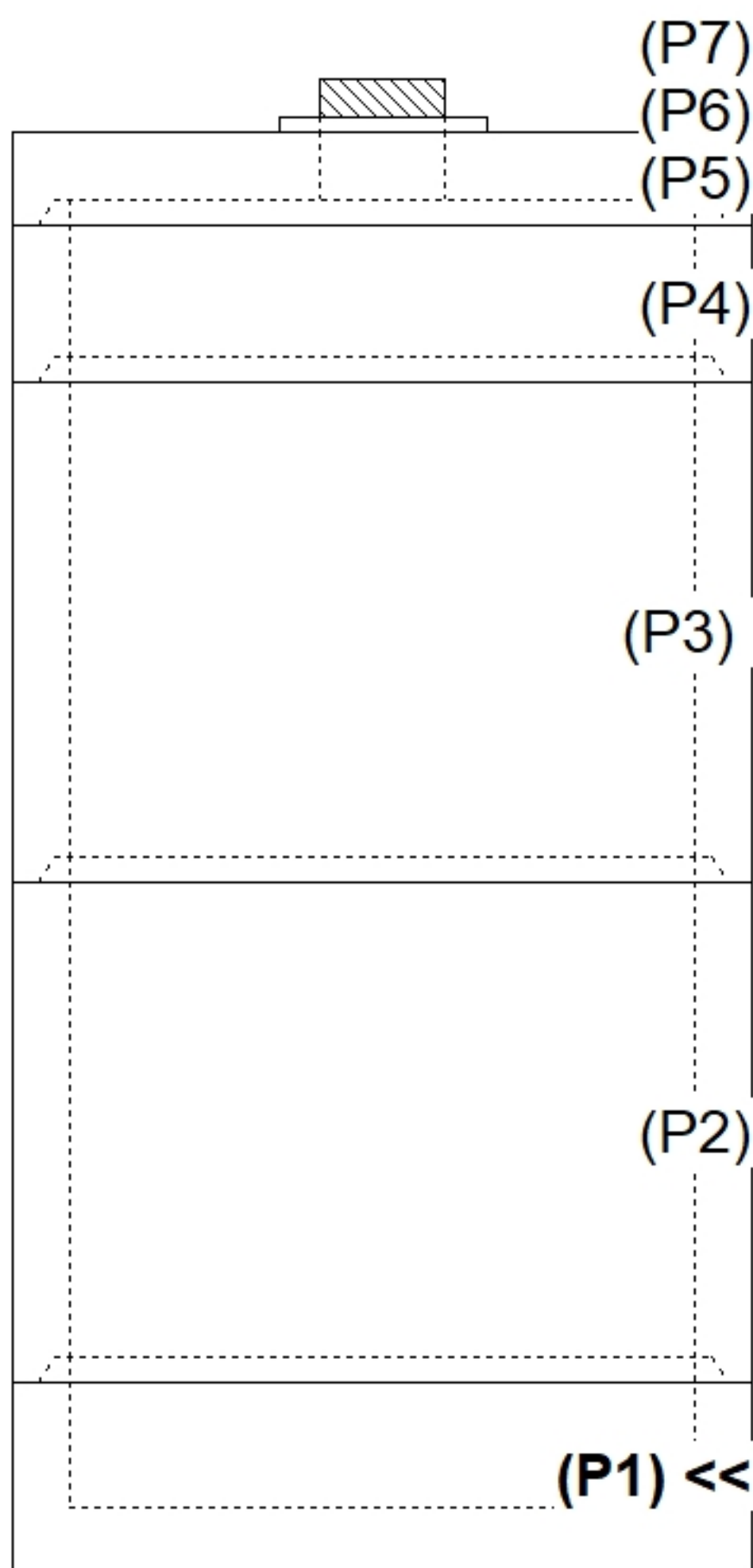
- TOP SLAB (As .62) #5 BARS AT 6" C.C.E.W..
- RISER/WALLS (As .36)
- FLOOR (As .47) #5 BARS AT 8" C.C.E.W.

Rim: 564.5' Rim to Invert: 9.37' Slack: 0.44" Sump: 162" Step Position:

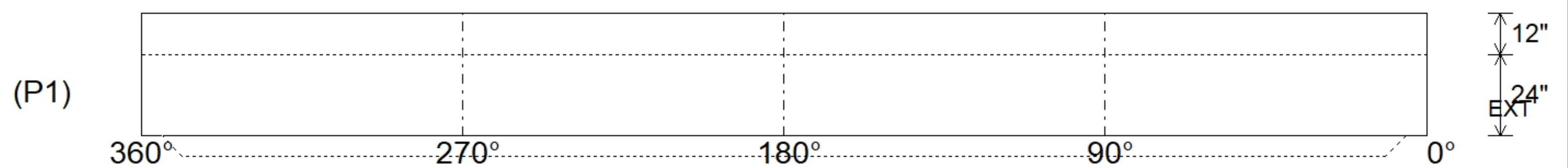
Position	Elev	Angle	Ext. (cw)	Pipe	Pipe OD	Connector	Hole	Horz Size	Up ()	Offset
Invert 1										
Invert 2										
Invert 3										
Invert 4										
Invert 5										
Invert 6										
Invert 7										
Invert 8										

RIGHT-SIDE UP VIEW (int. dimensions)

UPSIDE-DOWN VIEW (int. dimensions)



INSIDE WALL DIMENSIONS



Coating (Int):	Seam Up: Tongue Seam Dn: n/a	Wall Thickness: 11" Floor Height: 12"	Height (Int): 24" Height (Ext): 36"
Coating (Ext):			Weight (Net): 25064 lb Volume (Net): 6.4cu.yd