

Job Name: 26-1929 743637 Indigo Apartments
Job Location: Frankfort, KY
Contractor: Contech Engineering Solutions

PC: C. Goff
 TECH: S. Felletter
 Plant: Beaver Dam



Structure ID: **10-CS-6**
 Spec: Storm-Pipe Centered
 Type: STM.MH
 Size: 72"

Rim: 1005'
 Invert: 994'
 Rim to Invert: 11'

Sump: 60.036"
 Floor (Top): 988.997'
 Floor Height: 8"

Floor (Bot): 988.33'
 Overall Height: 16.25'
 Slack: 5.036"

Structure Notes:
 4" CASTING BY OTHERS

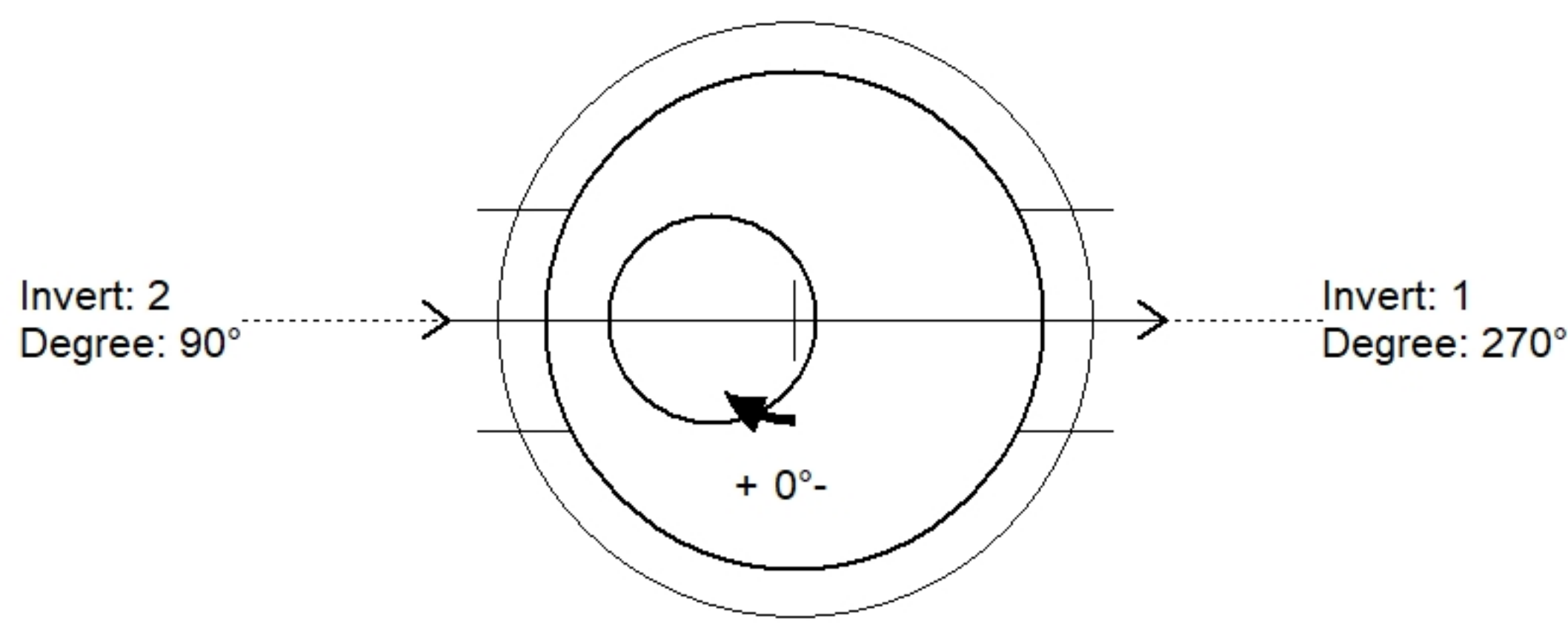
LIFTING ANCHORS TO BE INSTALLED
 ON THE OUTSIDE OF THE STRUCTURE

ICAST TO INSTALL THE INTERNALS

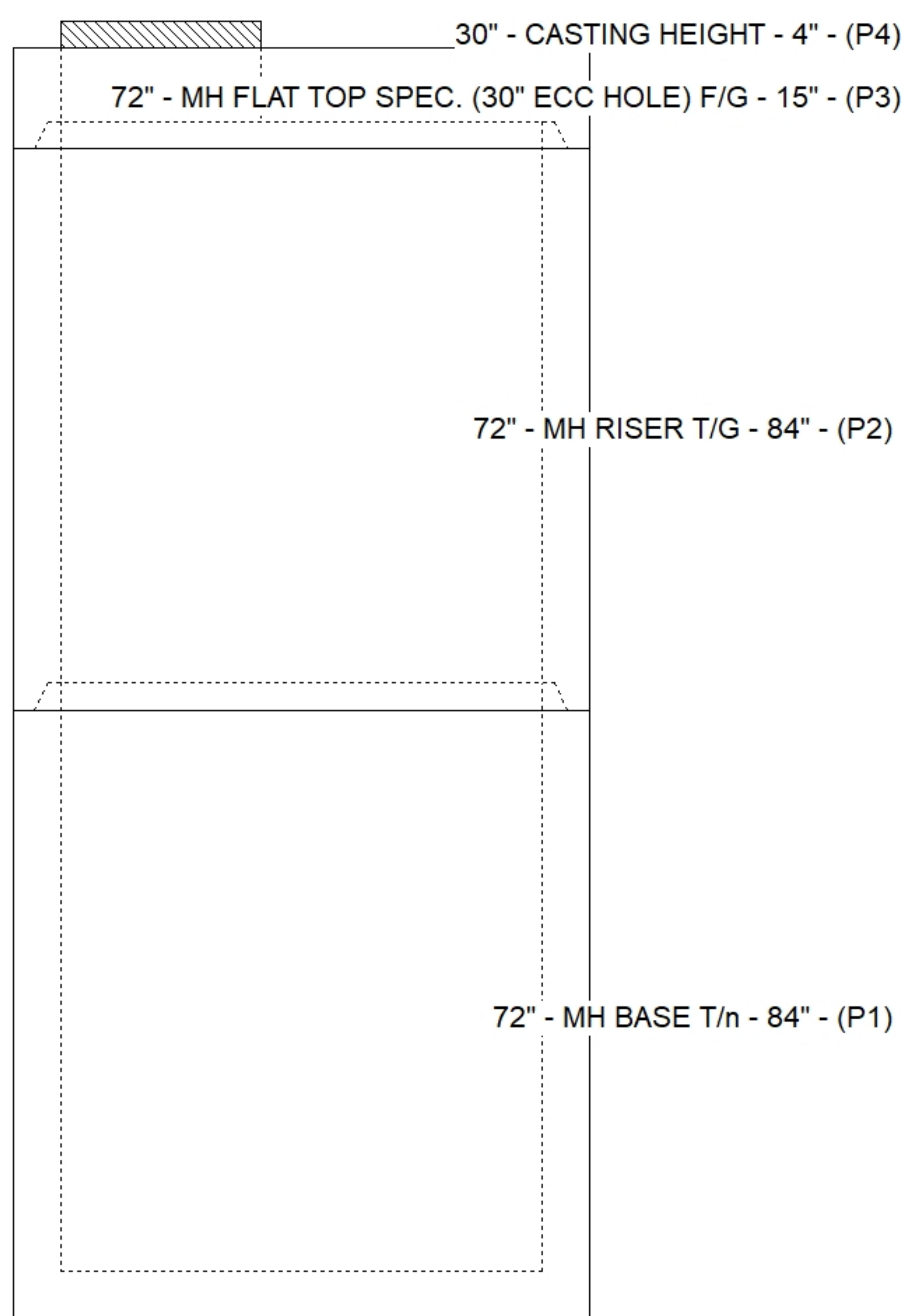
CONTECH'S LOGO AS WELL AS THE
 INLET AND OUTLET MUST BE
 STENCILED ONTO THE STRUCTURE

STRUCTURE SUMMARY:

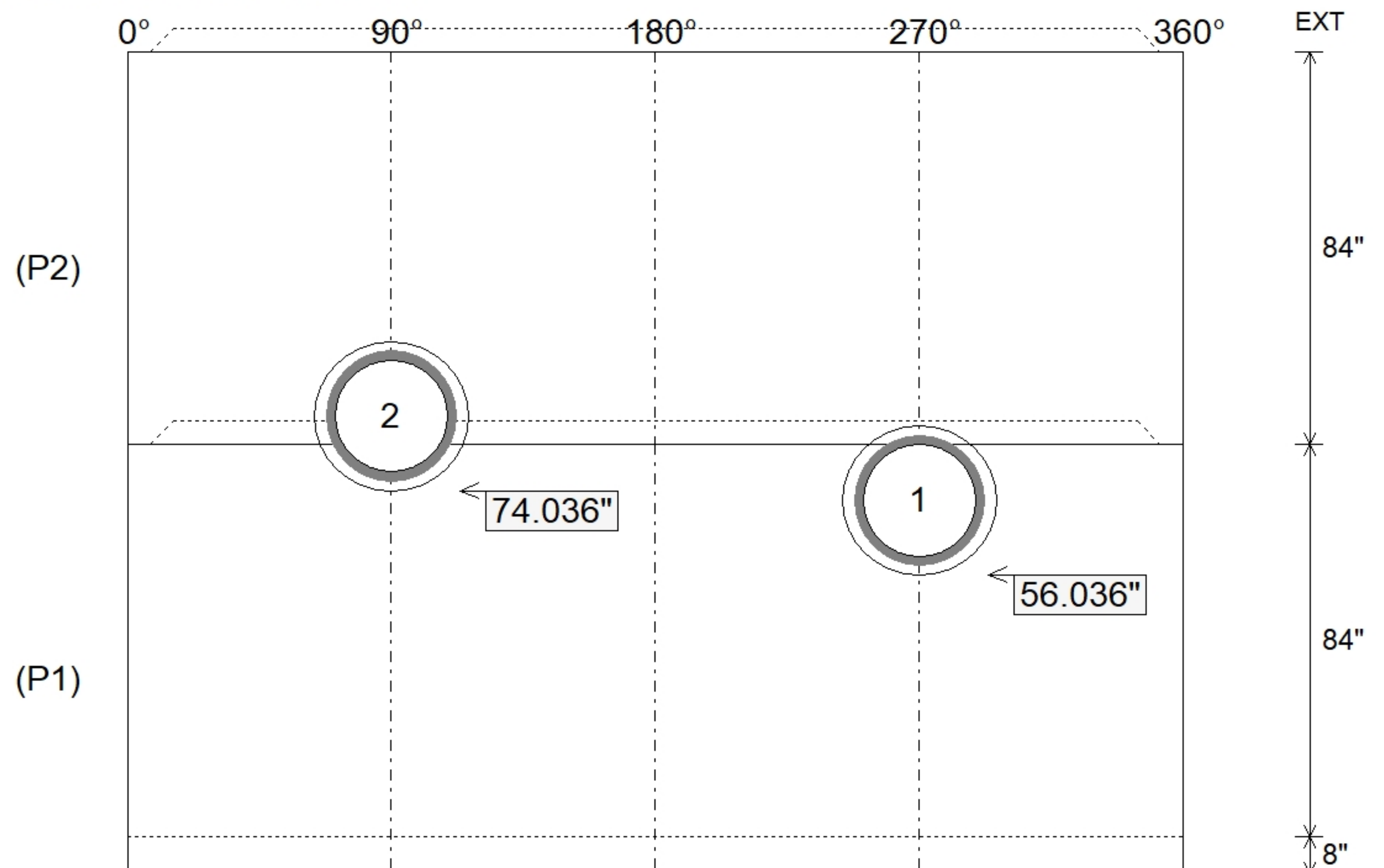
P4) 30" - CASTING HEIGHT - 4"	0 lb
P3) 72" - MH FLAT TOP SPEC. (30" ECC HOLE) F/G - 15"	4661 lb
P2) 72" - MH RISER T/G - 84"	11853 lb
P1) 72" - MH BASE T/n - 84"	15564 lb
1) CVSTENCILING	0 lb
1) ASSEMBLY REQUIRED	0 lb
2) 72" - Conseal CS-102 1.00"	0 lb
2) Hole - 32	0 lb
Structure Total:	32078 lb



Position	Elev	Angle	Pipe	Pipe OD	Hole	Connector	Up (')	Ref
Rim	1005'							
Reducer								
Invert 1	994'	270°	24" HDPE	27.8"	32"	Hole 32	56.036"	P1
Invert 2	995.5'	90°	24" HDPE	27.8"	32"	Hole 32	74.036"	P1
Invert 3								
Invert 4								
Invert 5								
Invert 6								
Invert 7								
Invert 8								



Default - Interior Dimensions



Submittal Drawing
 4/13/2026 8:43:42 AM

SUBMITTAL
 APPROVED BY: