

Structure ID: 10-CS-6

P1 MH072BA84

MH BASE T/n

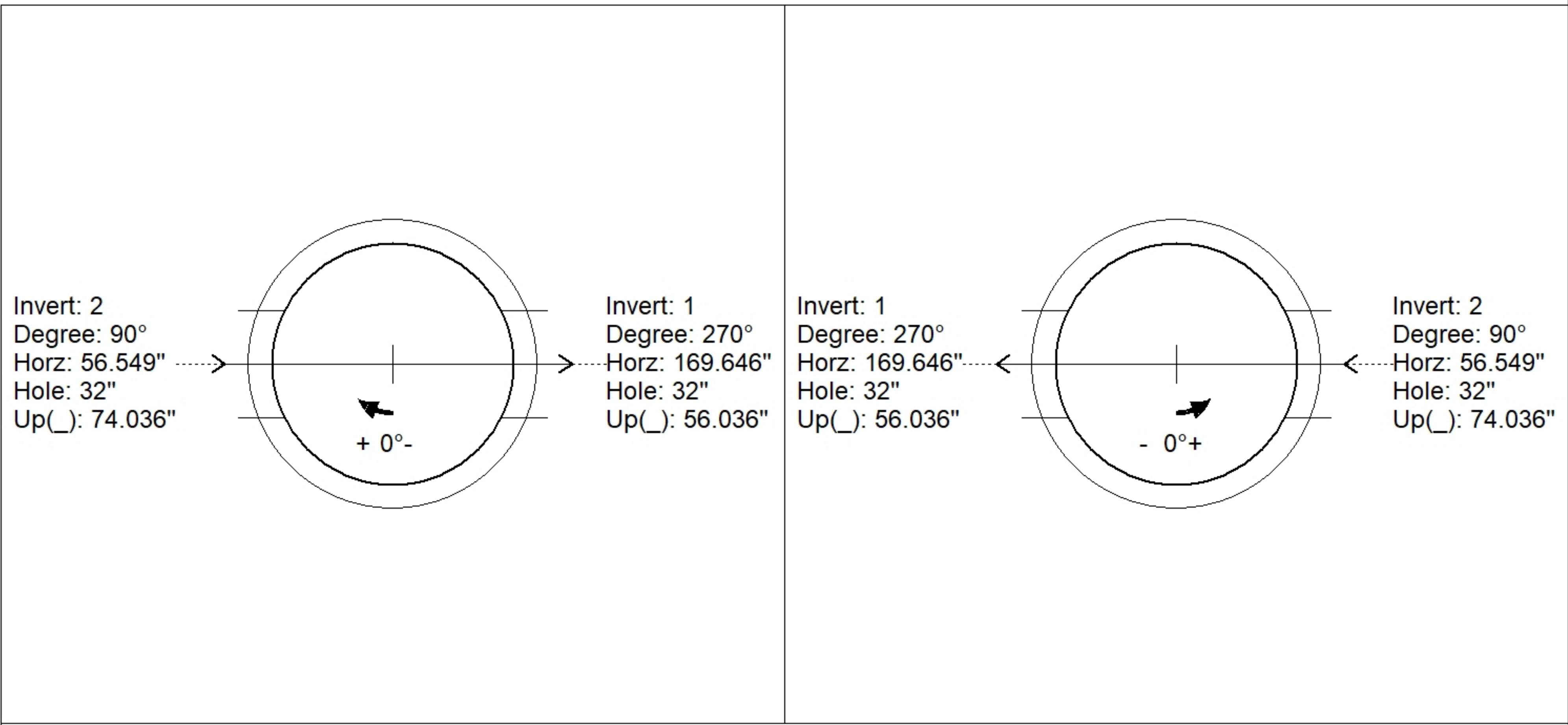
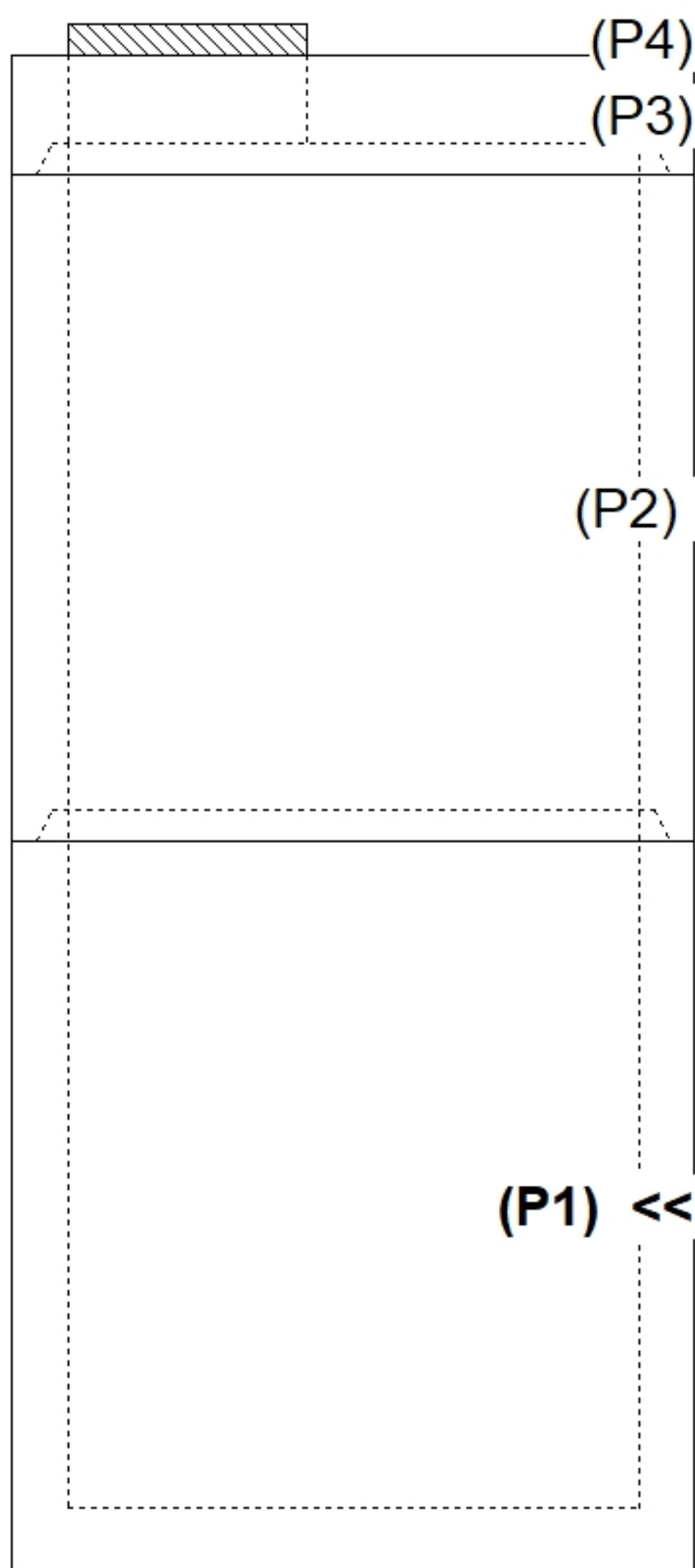
P4) 30" - CASTING HEIGHT - 4" P3) 72" - MH FLAT TOP SPEC. (30" ECC HOLE) F/G - 15" P2) 72" - MH RISER T/G - 84" P1) 72" - MH BASE T/n - 84" 1) CVSTENCILING 1) ASSEMBLY REQUIRED 2) 72" - Conseal CS-102 1.00" 2) Hole - 32	0 lb 4661 lb 11853 lb 15564 lb 0 lb 0 lb 0 lb 0 lb 0 lb	Structure Notes: 4" CASTING BY OTHERS LIFTING ANCHORS TO BE INSTALLED ON THE OUTSIDE OF THE STRUCTURE ICAST TO INSTALL THE INTERNALS CONTECH'S LOGO AS WELL AS THE INLET AND OUTLET MUST BE STENCILED ONTO THE STRUCTURE
Structure Total: 32078 lb		

Rim: 1005' Rim to Invert: 11' Slack: 5.036" Sump: 60.036" Step Position: 0°

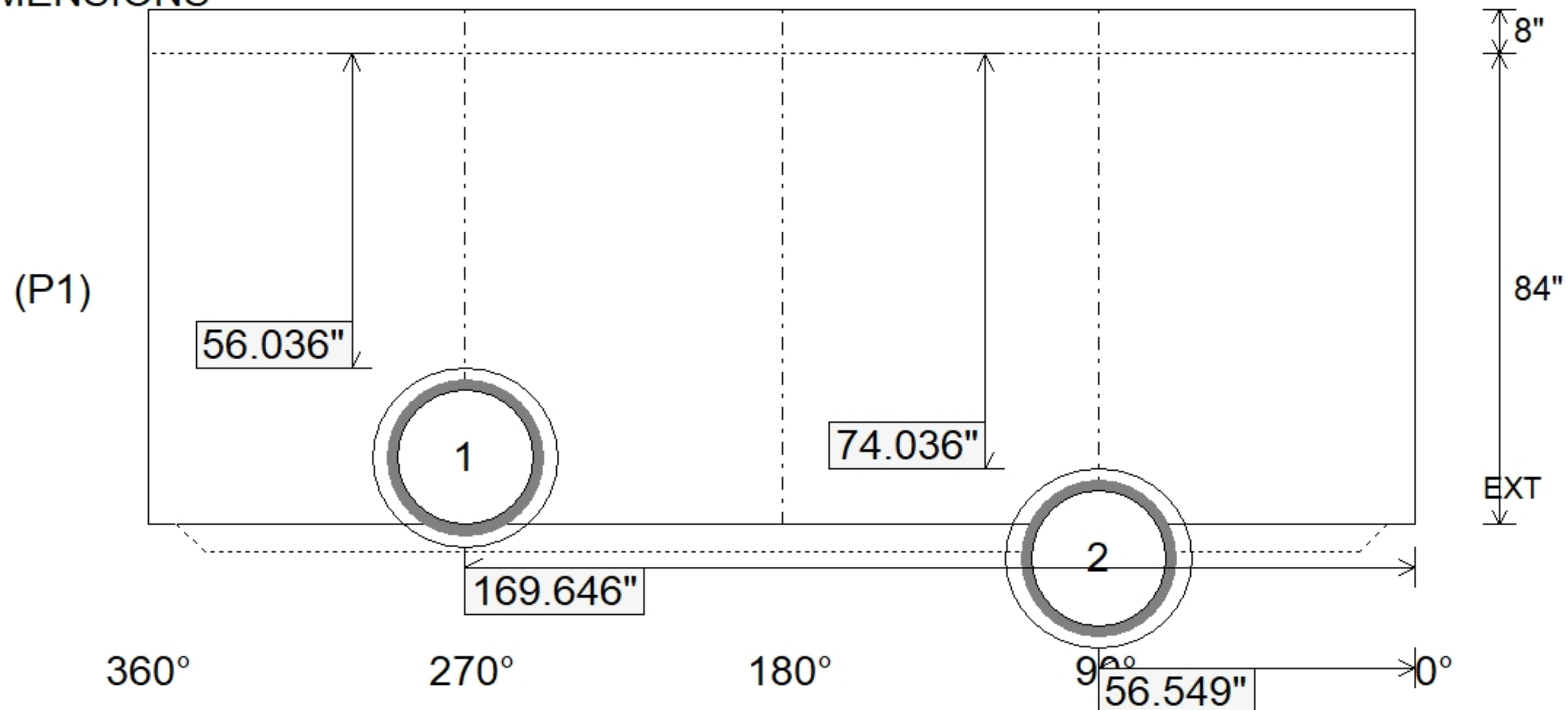
Position	Elev	Angle	Ext. (cw)	Pipe	Pipe OD	Connector	Hole	Horz Size	Up ()	Offset
Invert 1	994'	270°	202.633"	24" HDPE	27.8"	Hole 32	32"	33.16"	56.036"	0"
Invert 2	995.5'	90°	67.544"	24" HDPE	27.8"	Hole 32	32"	33.16"	74.036"	0"
Invert 3										
Invert 4										
Invert 5										
Invert 6										
Invert 7										
Invert 8										

RIGHT-SIDE UP VIEW (int. dimensions)

UPSIDE-DOWN VIEW (int. dimensions)



INSIDE WALL DIMENSIONS



Coating (Int):	Seam Up: Tongue	Wall Thickness: 7"	Height (Int): 84"
Coating (Ext):	Seam Dn: n/a	Floor Height: 8"	Height (Ext): 92"
		Weight (Net): 15564 lb	
		Volume (Net): 3.98cu.yd	