

Job Name: 26-1885 869435 Garrison Gardens
Job Location: Bowling Green, KY
Contractor: Contech Engineering Solutions

PC: C. Goff
 TECH: S. Felletter
 Plant: Beaver Dam



Structure ID: **20-CS-6**
 Spec: Storm-Pipe Centered
 Type: STM.MH
 Size: 72"

Rim: 508.23'
 Invert: 496.38'
 Rim to Invert: 11.85'

Sump: 69.036"
 Floor (Top): 490.627'
 Floor Height: 8"

Floor (Bot): 489.96'
 Overall Height: 17.25'
 Slack: 12.236"

Structure Notes:
 4" CASTING BY OTHERS

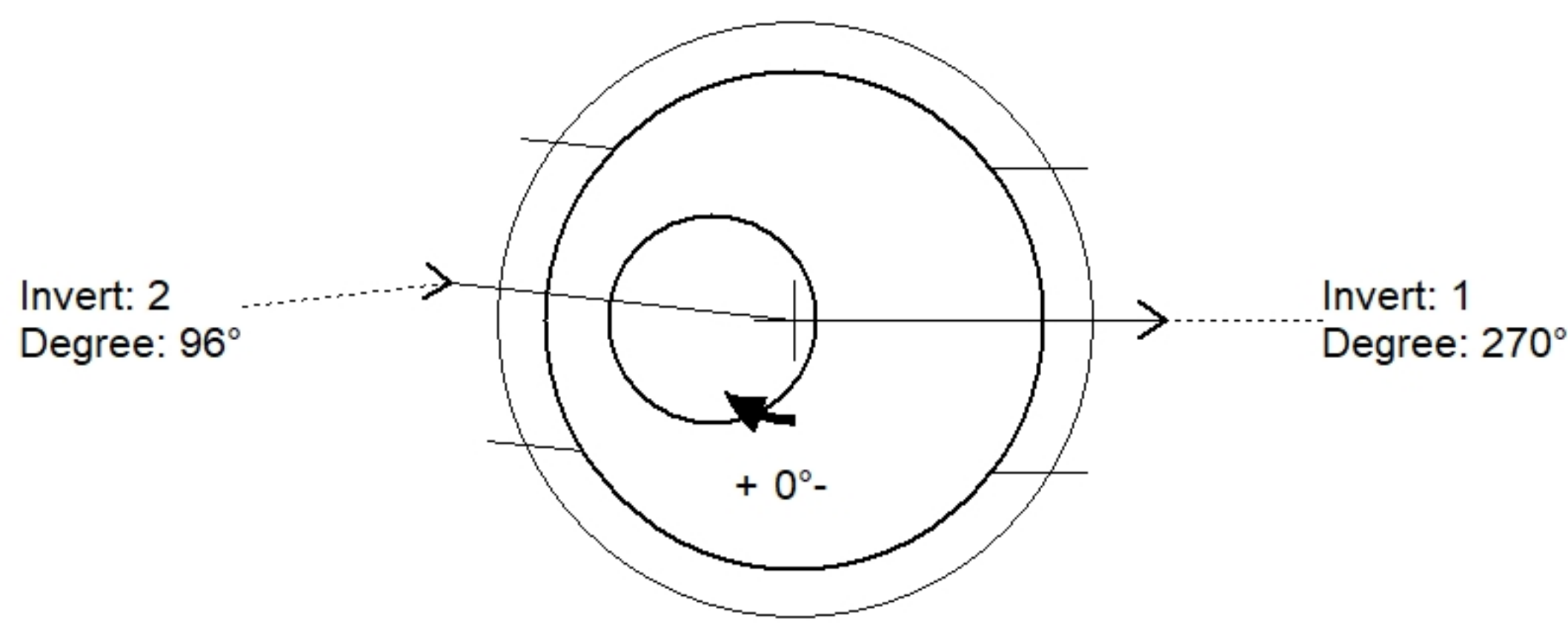
LIFTING ANCHORS TO BE INSTALLED
 ON THE OUTSIDE OF THE STRUCTURE

ICAST TO INSTALL THE INTERNALS

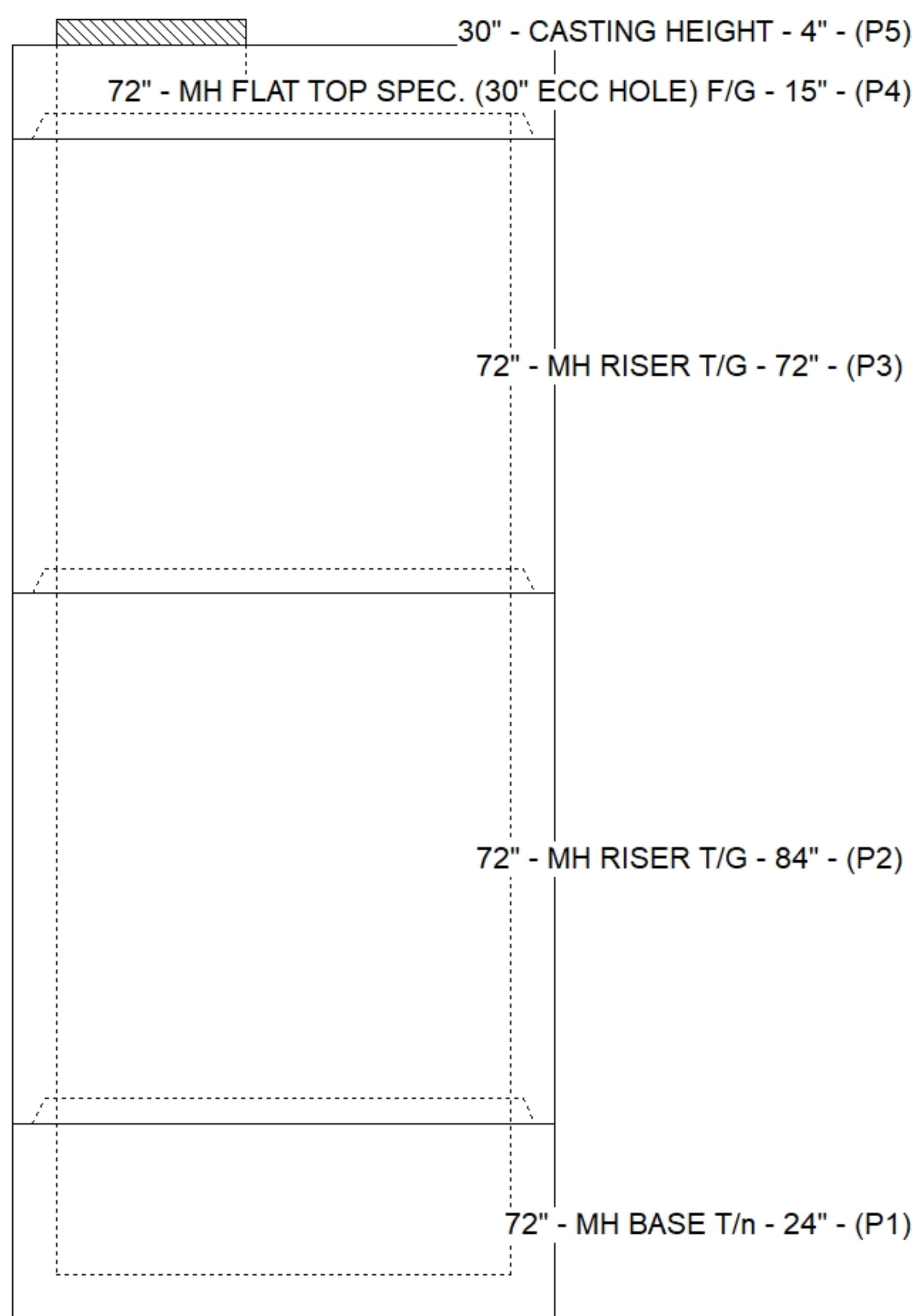
CONTECH'S LOGO AS WELL AS THE
 INLET AND OUTLET MUST BE
 STENCILED ONTO THE STRUCTURE

STRUCTURE SUMMARY:

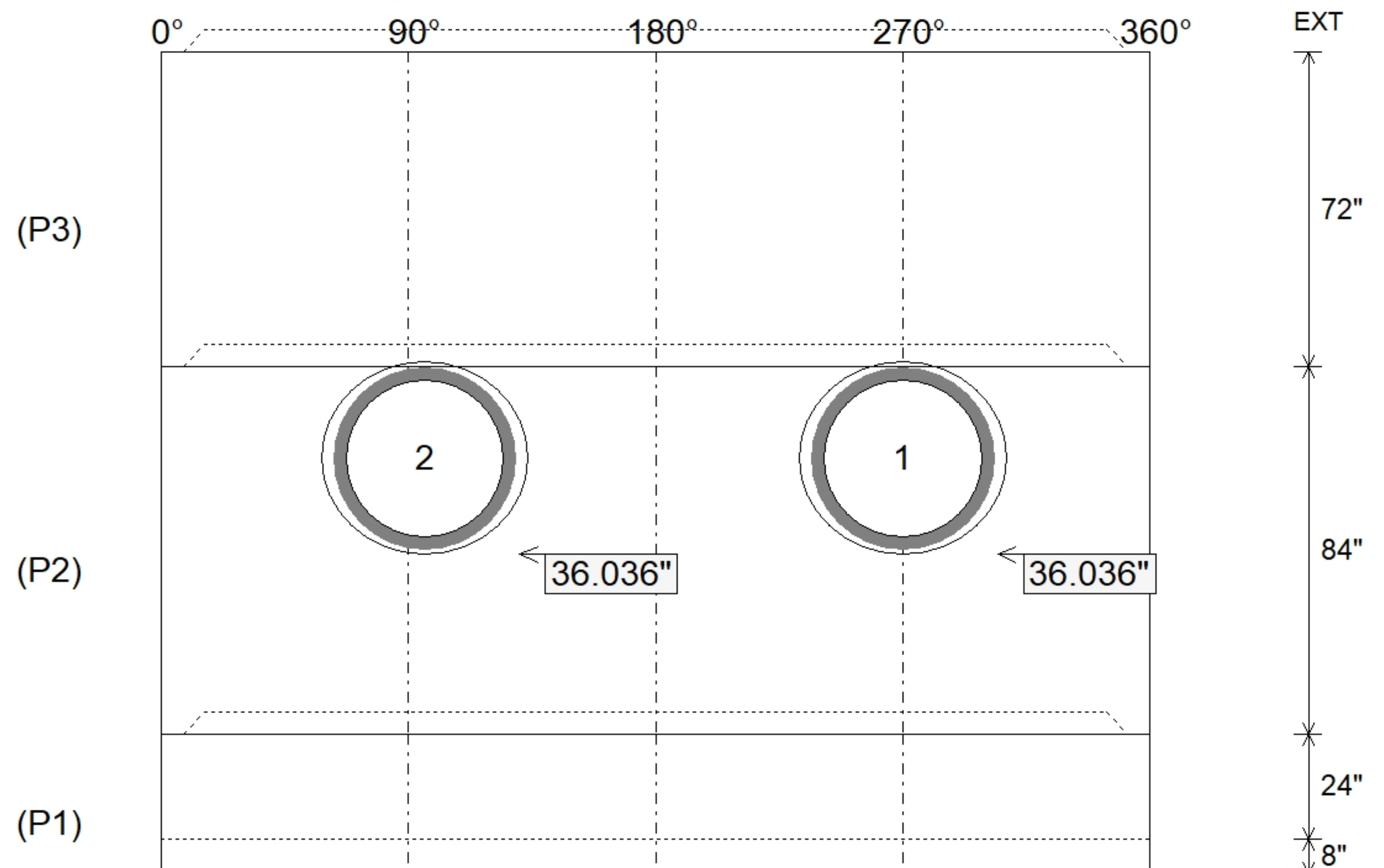
P5) 30" - CASTING HEIGHT - 4"	0 lb
P4) 72" - MH FLAT TOP SPEC. (30" ECC HOLE) F/G - 15"	4661 lb
P3) 72" - MH RISER T/G - 72"	10485 lb
P2) 72" - MH RISER T/G - 84"	10359 lb
P1) 72" - MH BASE T/n - 24"	7398 lb
1) ASSEMBLY REQUIRED	0 lb
1) CVSTENCILING	0 lb
3) 72" - Conseal CS-102 1.00"	0 lb
2) Hole - 44	0 lb
Structure Total:	32902 lb



Position	Elev	Angle	Pipe	Pipe OD	Hole	Connector	Up (')	Ref
Rim	508.23'							
Reducer								
Invert 1	496.38'	270°	36" HDPE	41.7"	44"	Hole 44	36.036"	P2
Invert 2	496.38'	96°	36" HDPE	41.7"	44"	Hole 44	36.036"	P2
Invert 3								
Invert 4								
Invert 5								
Invert 6								
Invert 7								
Invert 8								



Default - Interior Dimensions



Submittal Drawing
 4/20/2026 1:54:06 PM

SUBMITTAL
 APPROVED BY: